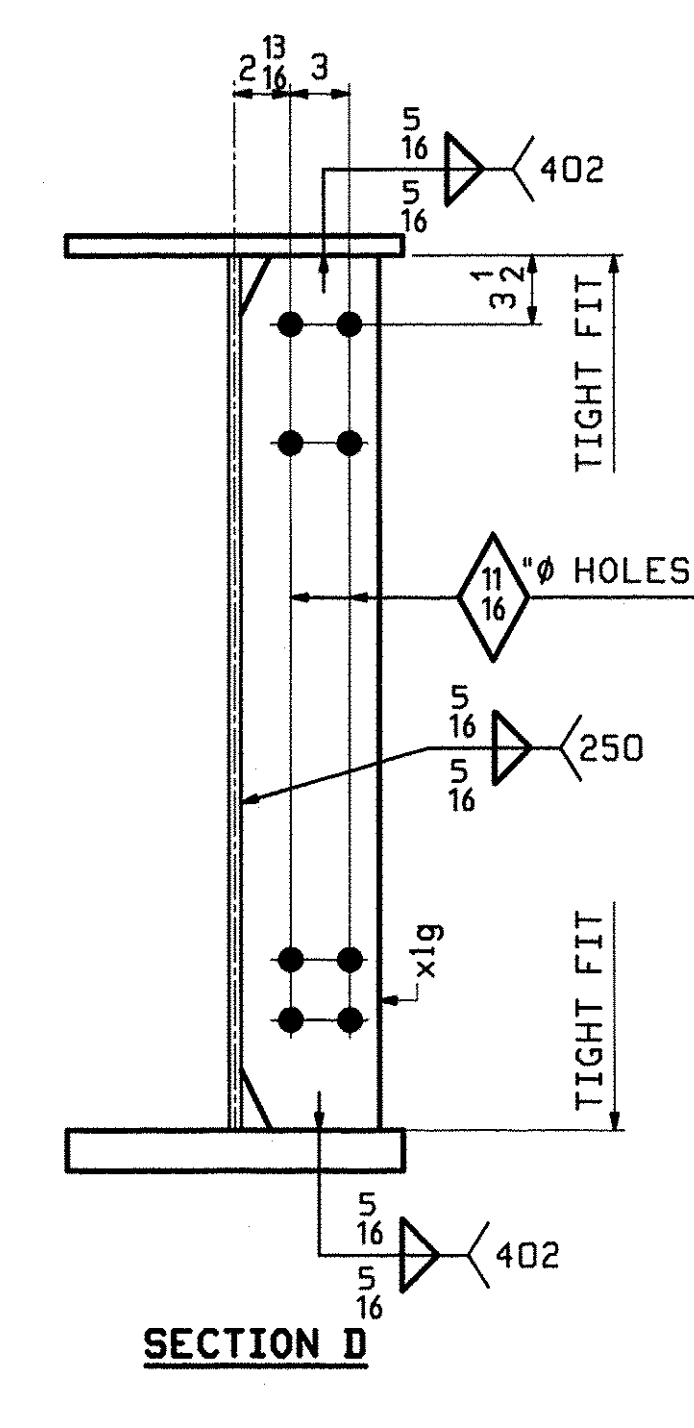
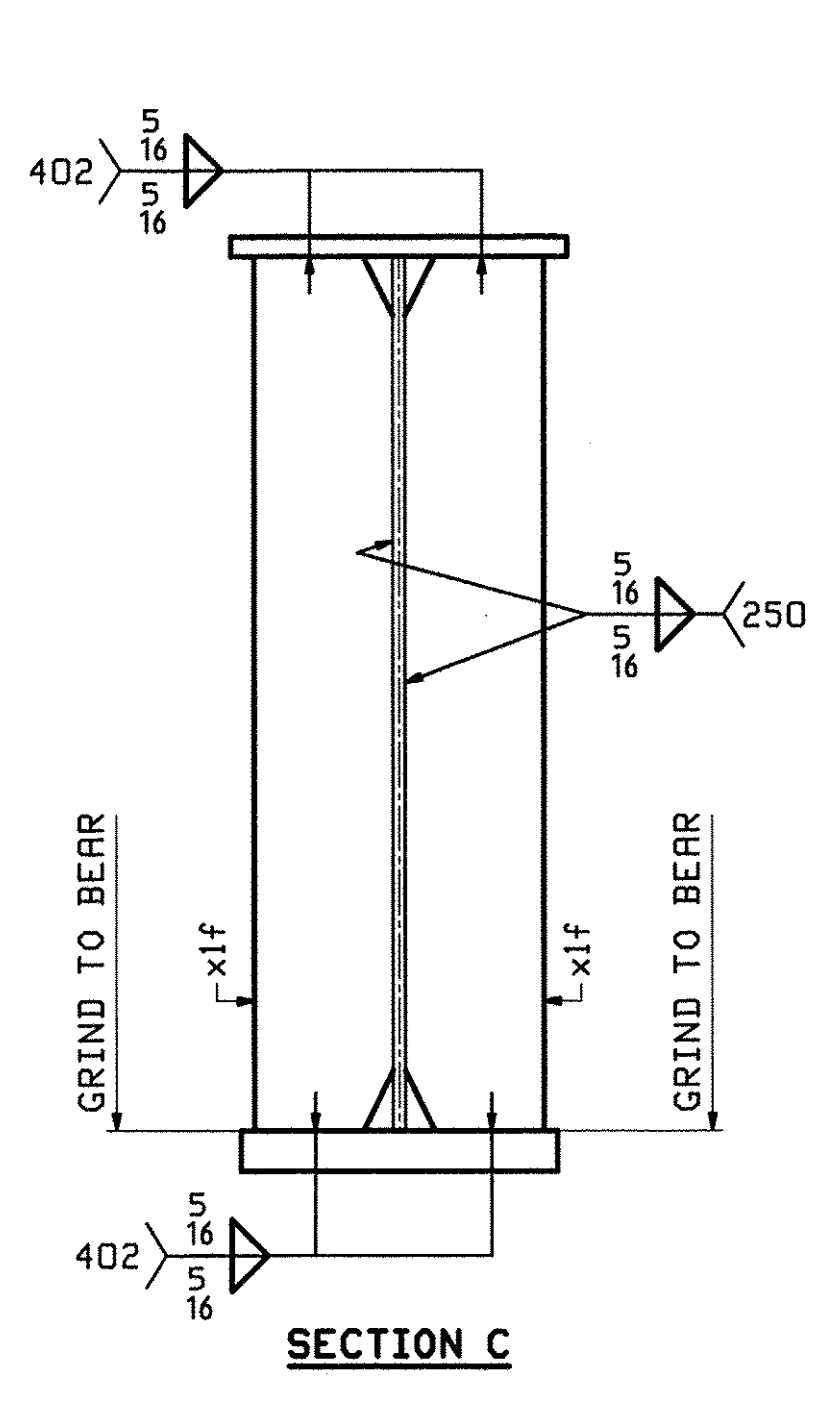
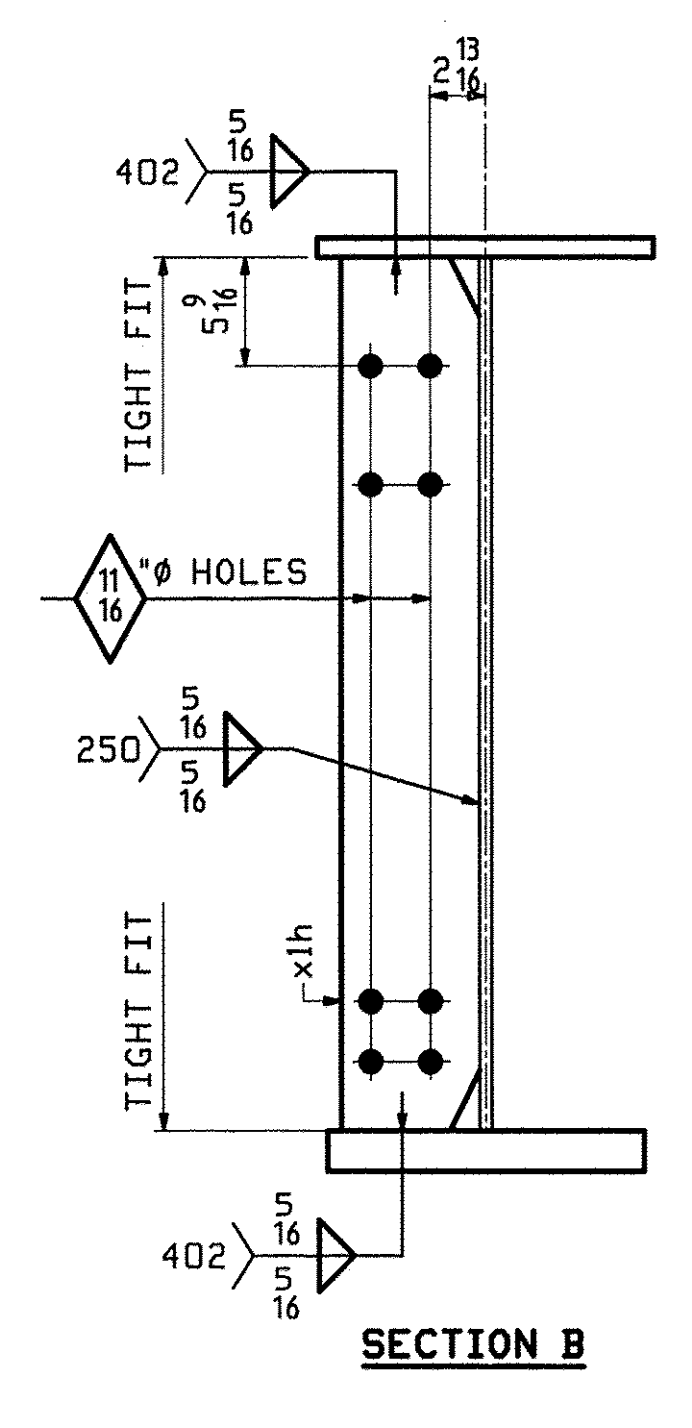
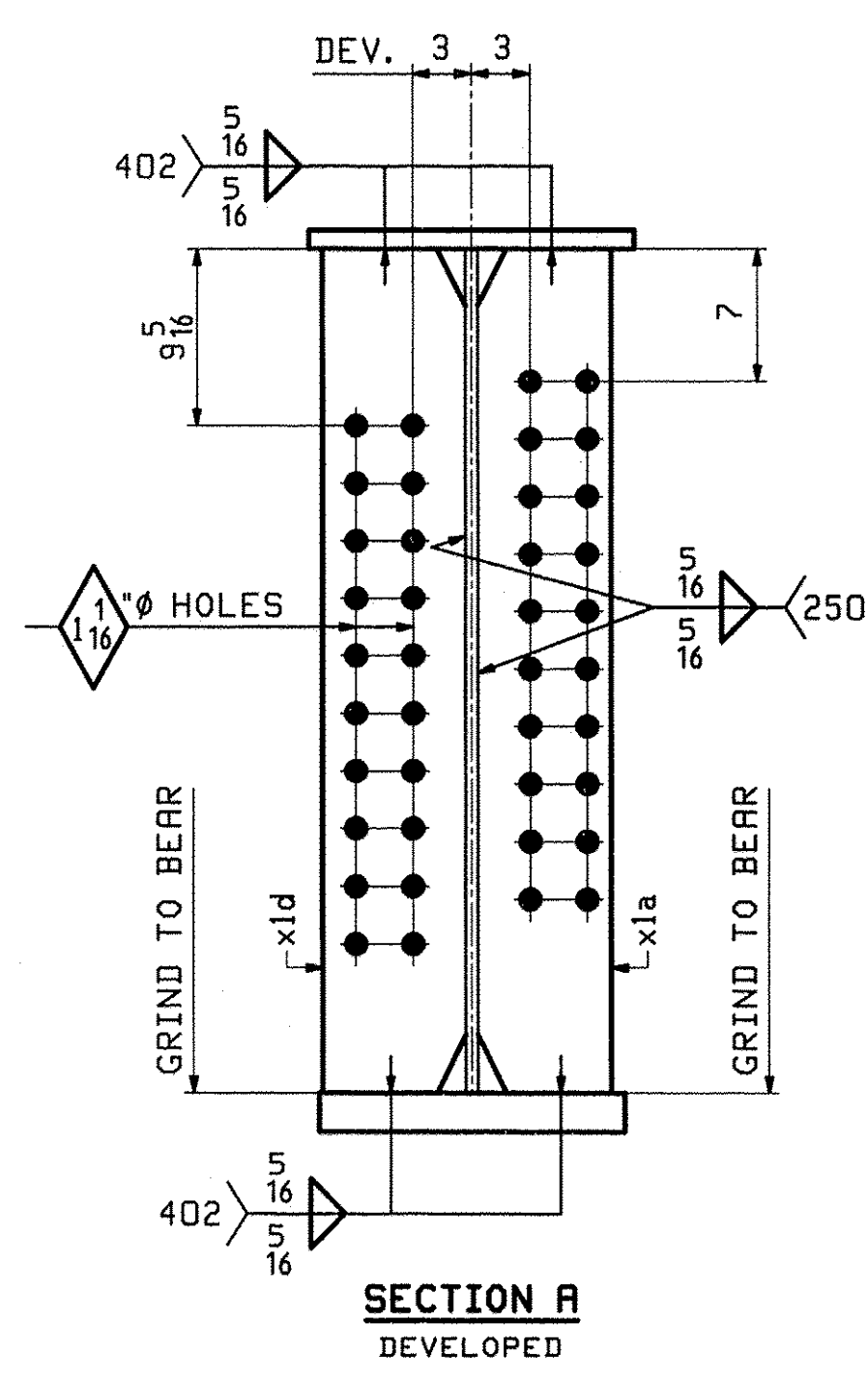
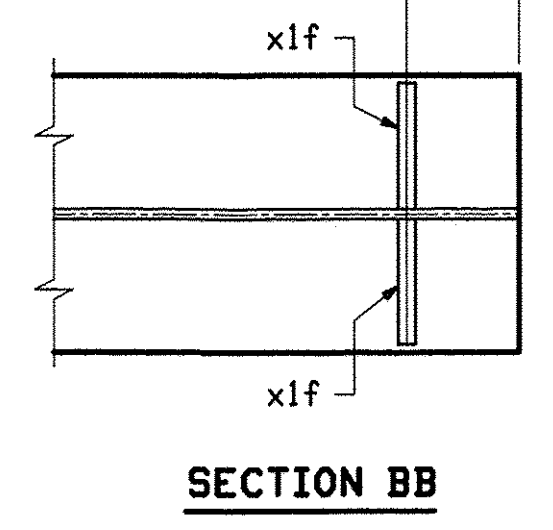
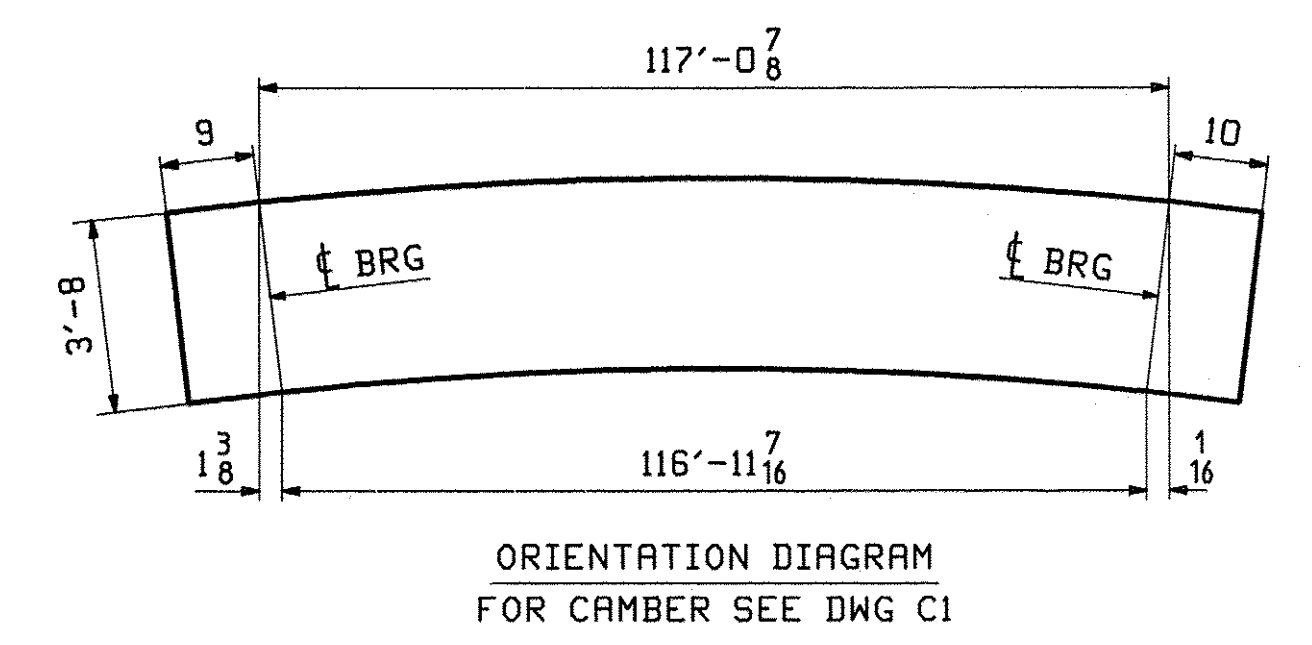


ONE - GIRDER - 3G3

FOR GIRDER STANDARD DETAILS SEE DRAWING X1.
 FOR CAMBER & FLANGE DIAGRAMS SEE DRAWING C1.
 FOR GENERAL NOTES SEE DRAWING GNI.
 T2 DENOTES MATERIAL SUBJECT TO CHARPY V-NOTCH TESTING.



ABM INFO		SHP		BILL OF MATERIAL		JOB NO.	DRAWING NO.	REV.	
PAGE	LINE	MARK	QTY	MARK	MATERIAL	LENGTH FT INCHES	REMARKS	WT	PROCUREMENT NOTES
		3G3	1		GIRDER			31981	
1	J		1	wa	PL 5/8 x 44	76 7/16	M270-SQHT2		
1	L		1	wb	PL 5/8 x 44	42 1/16	M270-SQHT2		
1	E		1	ta	PL 1 x 17	74 6	M270-SQHT2		
1	G		1	tb	PL 1 x 17	44 7/8	M270-SQHT2		
1	A		1	ba	PL 2 x 16	74 6	M270-SQHT2		
1	C		1	bb	PL 2 x 16	44 7/16	M270-SQHT2		
2	B		1	xla	PL 5/8 x 7 1/2	3 8	MIE M270-SQHT2		
2	B		1	xld	PL 5/8 x 7 1/2	3 8	MIE M270-SQHT2		
2	C		2	xif	PL 5/8 x 7	3 8	MIE M270-SQHT2		
2	D		8	xlg	PL 5/8 x 7	3 8	M270-SQHT2		
2	D		8	xlh	PL 5/8 x 7	3 8	M270-SQHT2		



11/30	APPROVAL COMMENTS	TJB	PCP			
0					12-1-11	
REV.	DATE	REMARKS	DWN	CHK	APVL	SHOP
		MATERIAL: M270-SQHT2				SHOP BOLTS: NONE
		SURFACE PREP. & PAINT: SEE DWG GNI				
		HOLES: AS NOTED				
DESCRIPTION: GIRDER 3G3						
CASCO BAY STEEL STRUCTURES, INC.						
1 WALLACE AVE. PHONE (207) 780-6722						
SOUTH PORTLAND, ME 04106 FAX. (207) 780-6726						
STRUCTURE: VT 12 over LOCUST CREEK BRIDGE 30 BETHEL Windsor County			DRAWN: TJB	DATE: 10/09		
			CHKD: PCP	DATE: 10/11		
LOCATION: BETHEL			JOB NO. 507	DWG NO. 3		
PROJ NO. BHF 0241(30)						
CUSTOMER: VERMONT ROT					REV. 3	

VTrans Received
 CKD. 12/1/11 OK'd BY
 DEC 7 2011
 Resubmit BY: CMC APPROVED DATE: 12/1/11