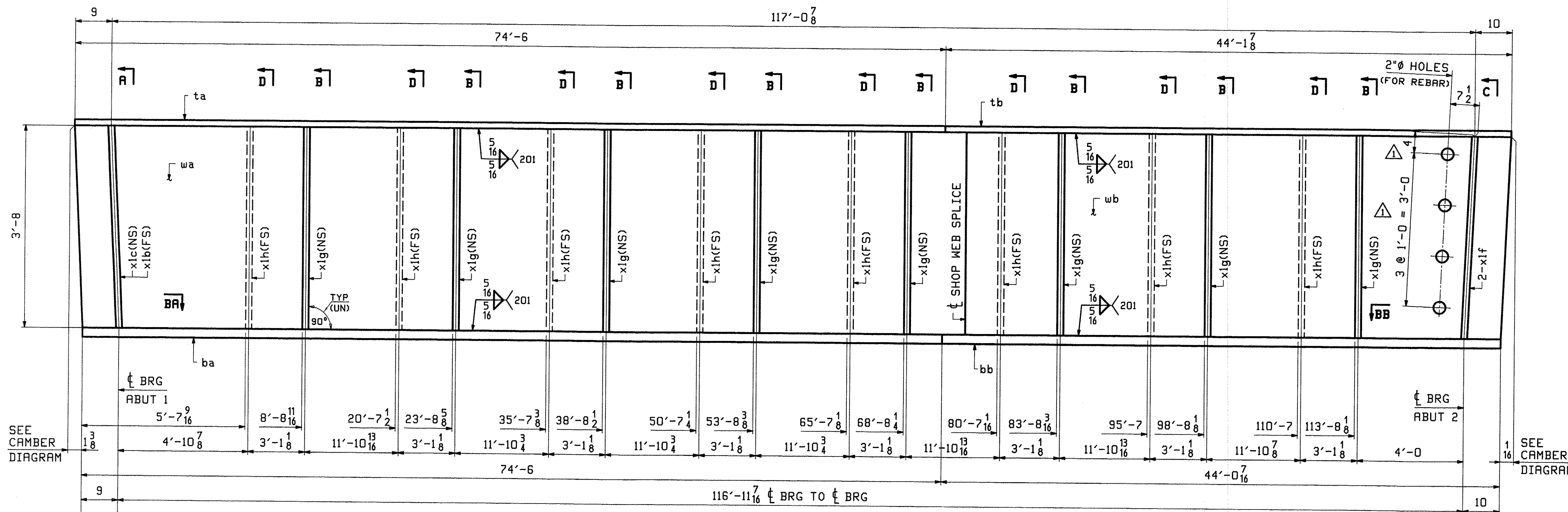
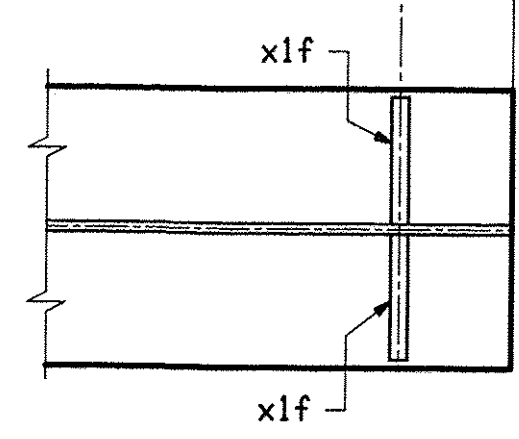


ABM INFO		BILL OF MATERIAL				JOB NO.	DRAWING NO.	REV.
LINE	MARK	QTY	MARK	MATERIAL	LENGTH FT INCHES	REMARKS	WT	PROCUREMENT NOTES
2G2		1		GIRDER			31981	
1	J	1	wa	PL 5/8x44	76 7/16	M270-SOWT2		
1	L	1	wb	PL 5/8x44	42 1 3/16	M270-SOWT2		
1	E	1	ta	PL 1x17	74 6	M270-SOWT2		
1	G	1	tb	PL 1x17	44 1 7/8	M270-SOWT2		
1	A	1	ba	PL 2x16	74 6	M270-SOWT2		
1	C	1	bb	PL 2x16	44 0 7/16	M270-SOWT2		
2	B	1	x1b	PL 5/8x7 9/16	3 8	MIE M270-SOWT2		
2	B	1	x1c	PL 5/8x7 9/16	3 8	MIE M270-SOWT2		
2	C	2	x1f	PL 5/8x7	3 8	MIE M270-SOWT2		
2	D	8	x1g	PL 5/8x7	3 8	M270-SOW		
2	D	8	x1h	PL 5/8x7	3 8	M270-SOW		

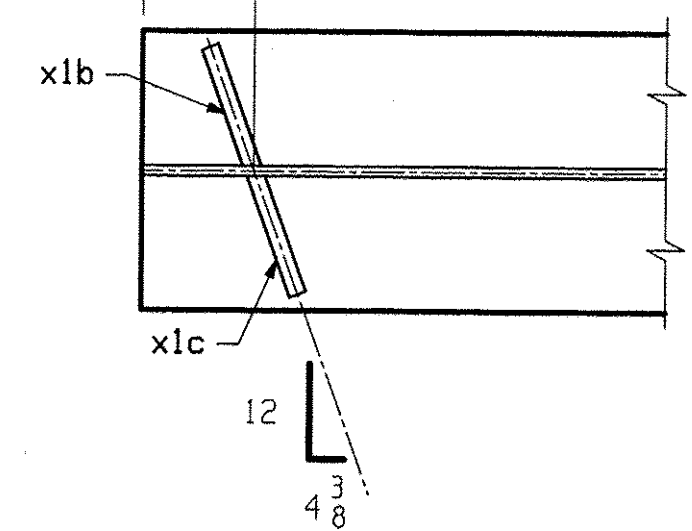


ONE - GIRDER - 2G2

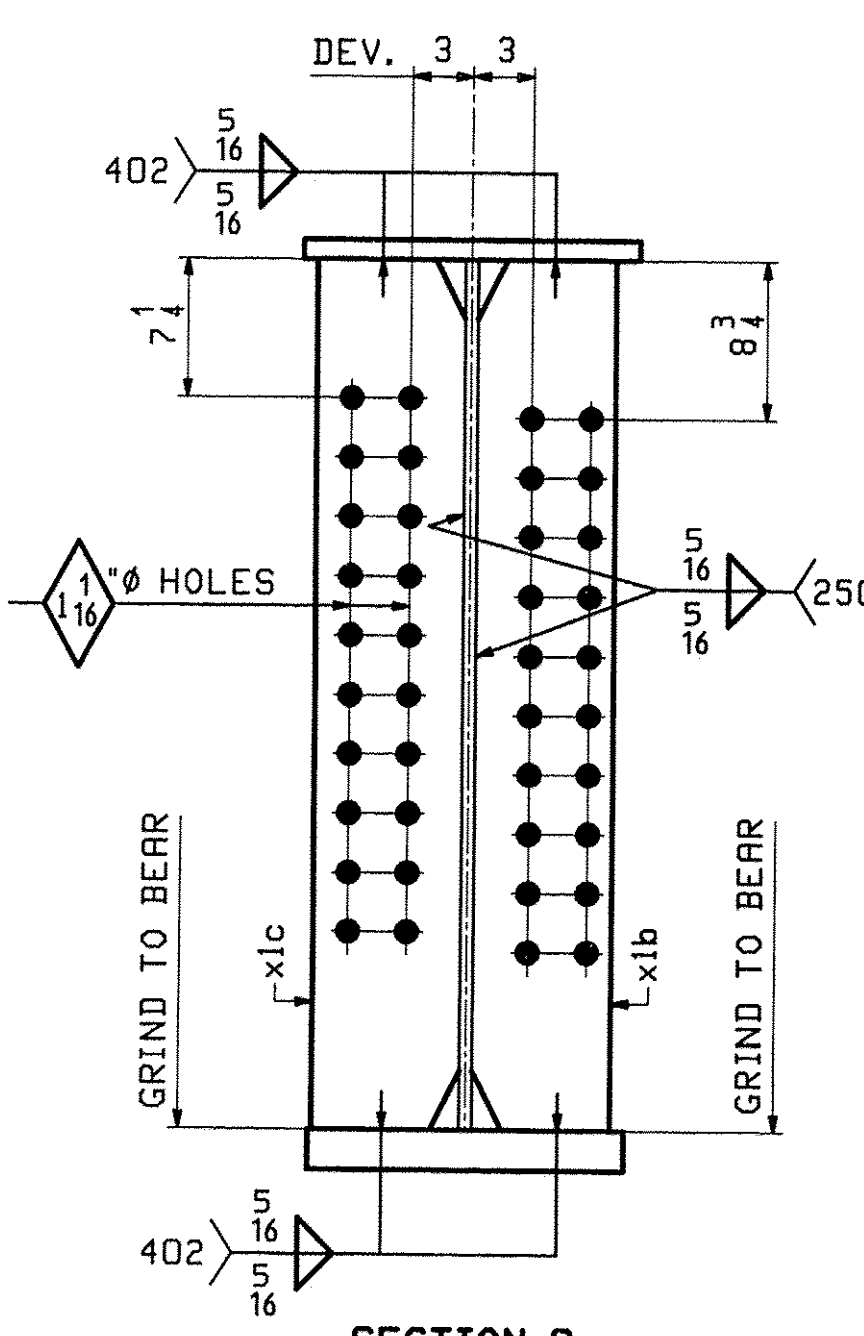
FOR GIRDER STANDARD DETAILS SEE DRAWING X1.
 FOR CAMBER & FLANGE DIAGRAMS SEE DRAWING C1.
 FOR GENERAL NOTES SEE DRAWING GNI.
 T2 DENOTES MATERIAL SUBJECT TO CHARPY V-NOTCH TESTING.



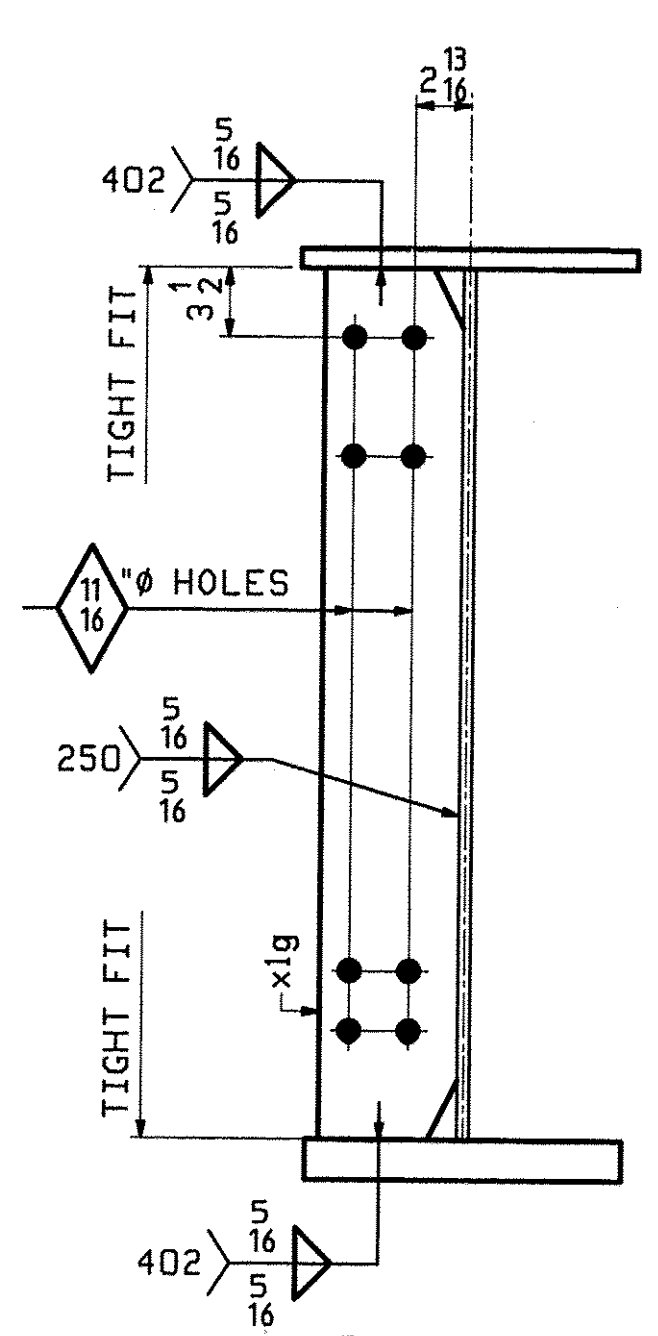
SECTION BB



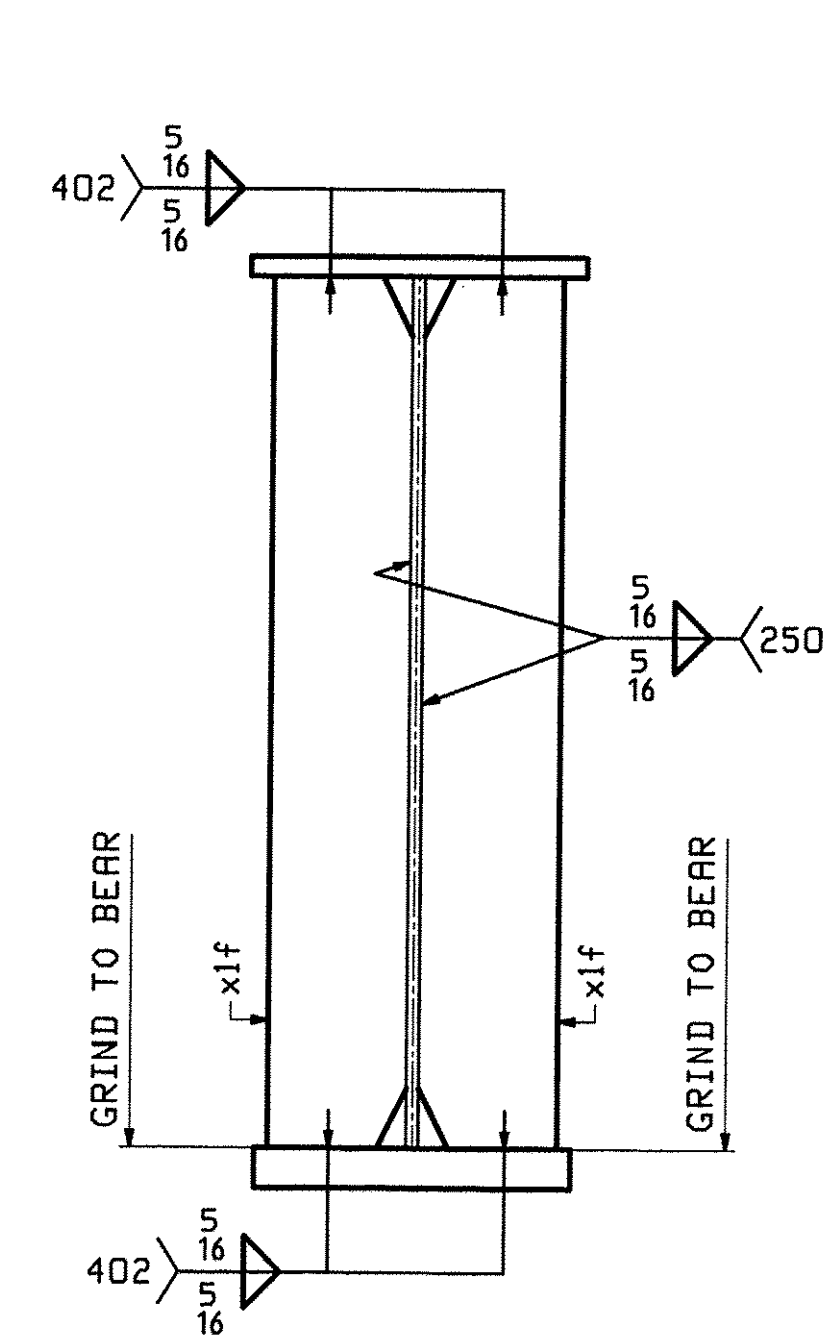
SECTION BA



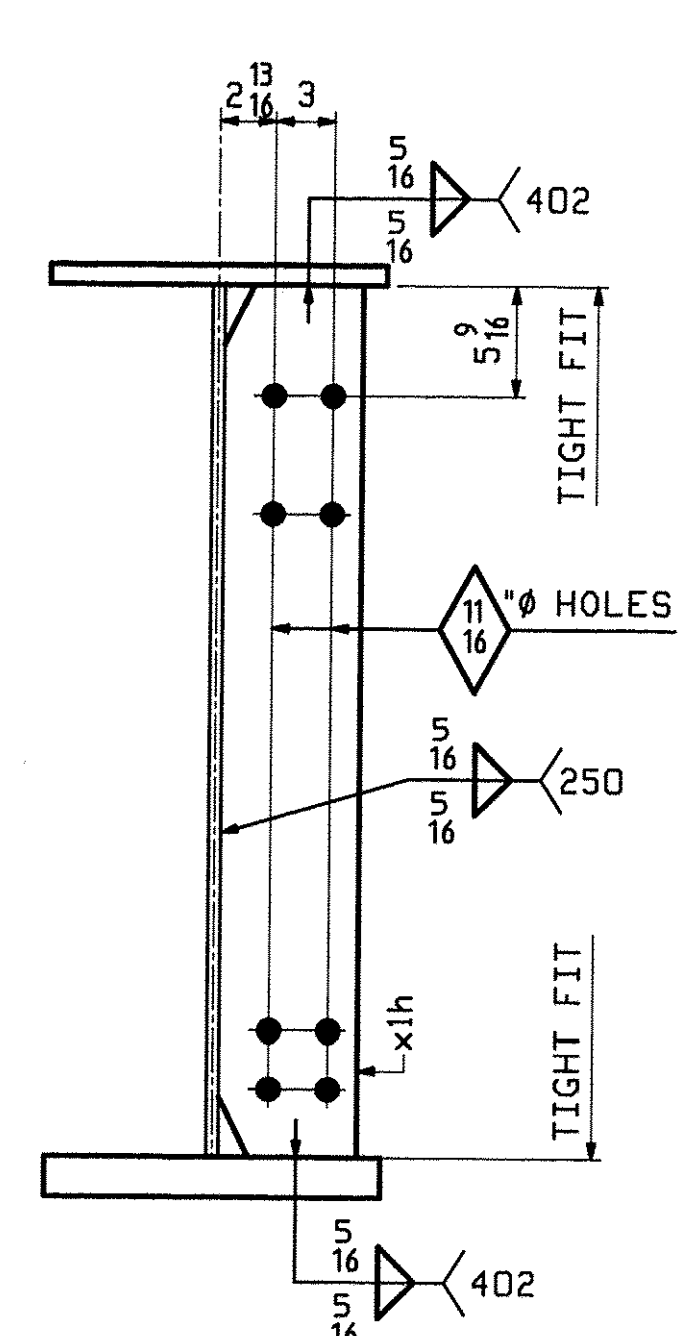
SECTION A DEVELOPED



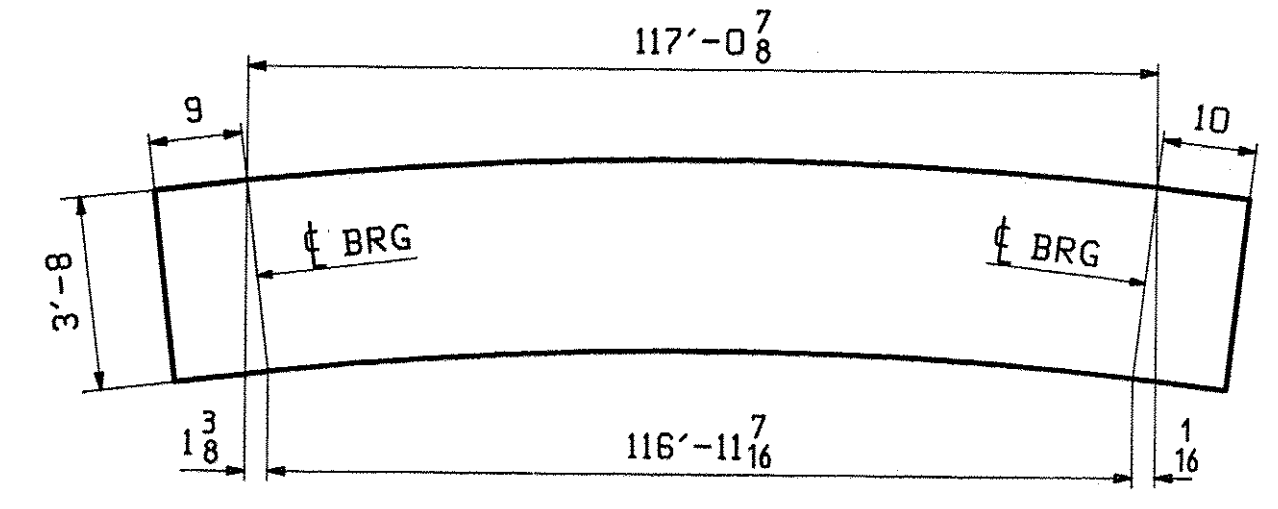
SECTION B



SECTION C



SECTION D



ORIENTATION DIAGRAM FOR CAMBER SEE DWG C1

11/30	APPROVAL COMMENTS	TJB	PCP		
0					12-1-11
REV. DATE	REMARKS	DWN	CHK	APVL	SHOP
MATERIAL: M270-SOW		SURFACE PREP. & PAINT: SEE DWG GNI		HOLES: AS NOTED	
DESCRIPTION: GIRDER 2G2		SHOP BOLTS: NONE			
CASCO BAY STEEL STRUCTURES, INC.					
1 WALLACE AVE.		PHONE (207) 780-6722		TENSOR 3089	
SOUTH PORTLAND, ME 04106		FAX (207) 780-6726			
STRUCTURE: VT 12 over LOCUST CREEK			BRIDGE 30	DATE: 10/07	
BETHEL			Windsor County	DATE: 10/11	
LOCATION: BETHEL			JOB NO. 507	DWG NO. 2	
PROJ NO. BHF 0241(30)			REV. 1		
CUSTOMER: VERMONT ROT					

VTrans Received
 CKD UCS
 DEC 7 2011
 Resubmit BY: *Owe* APPROVED DATE: *12-1-11*