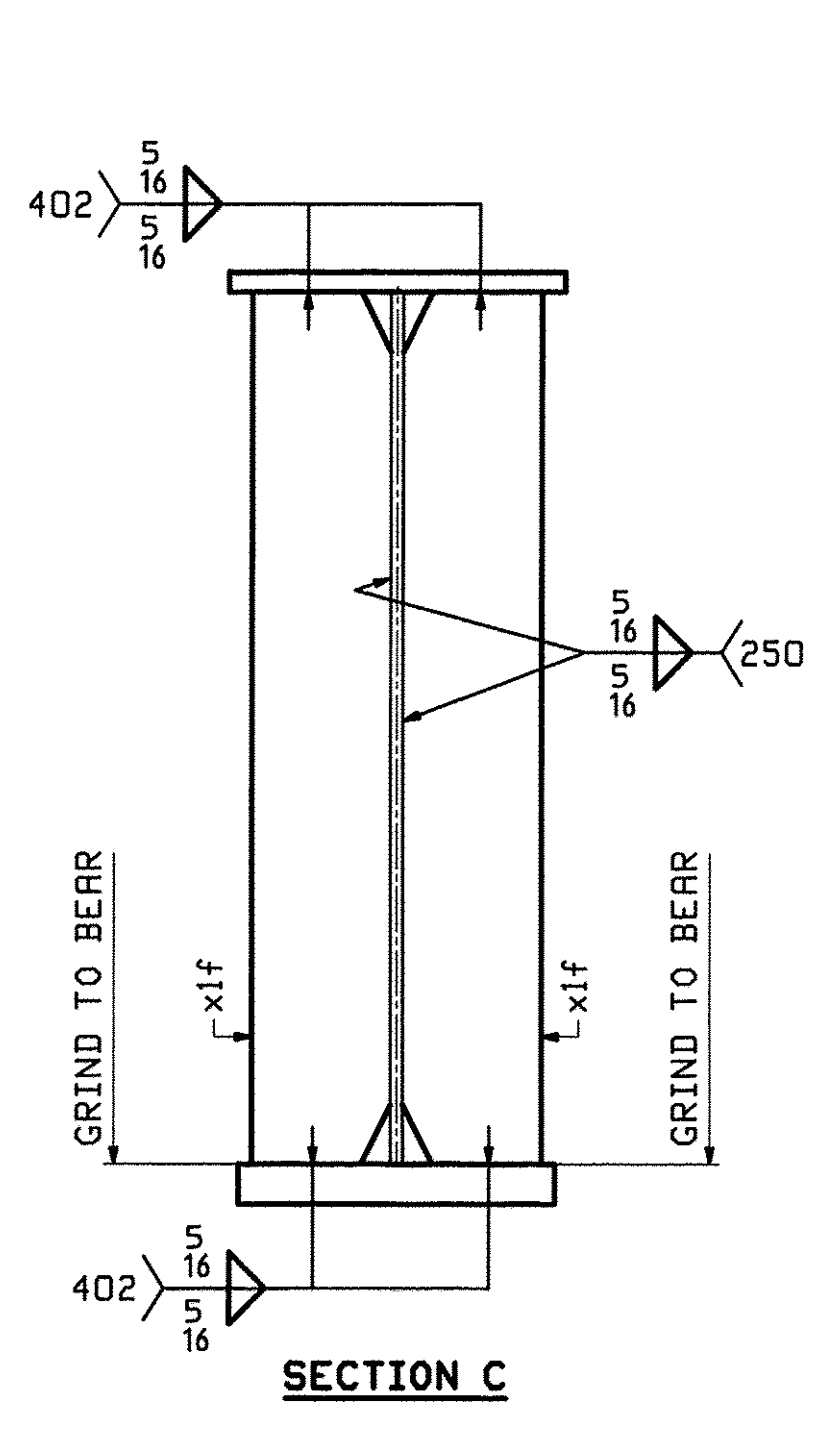
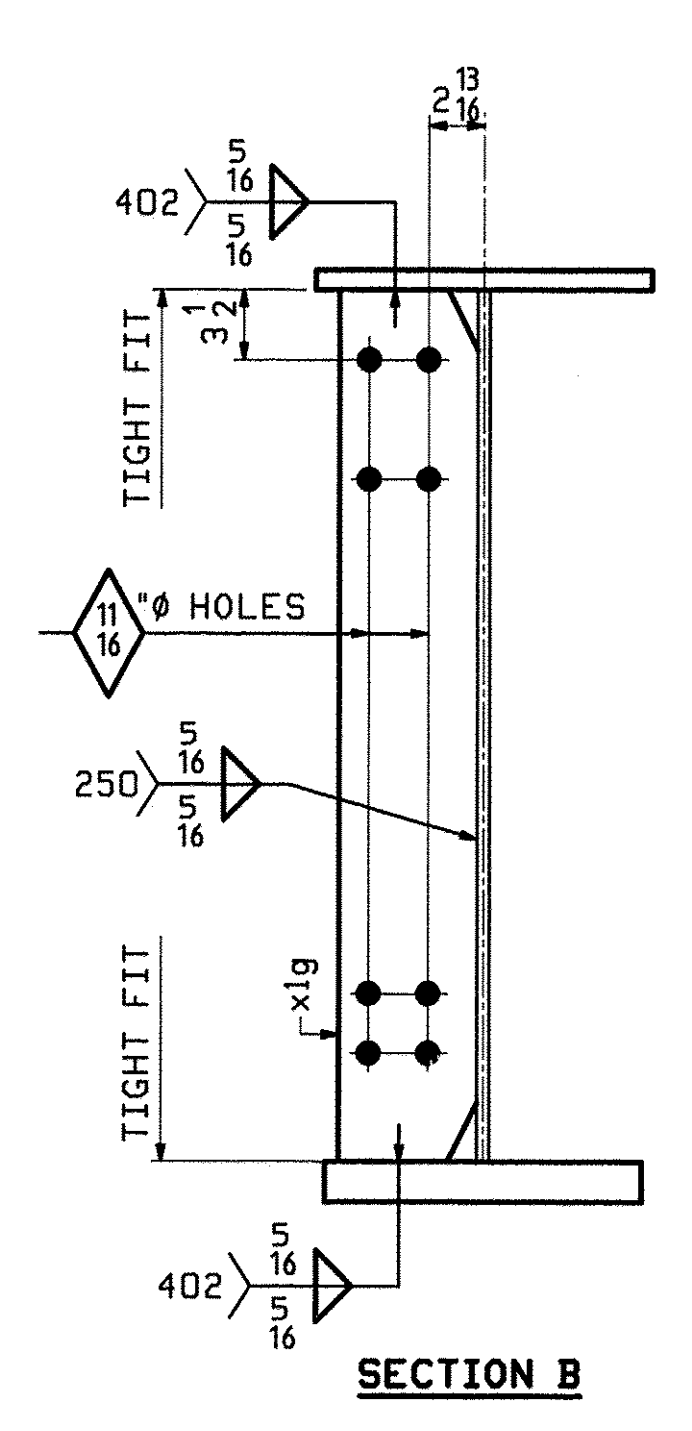
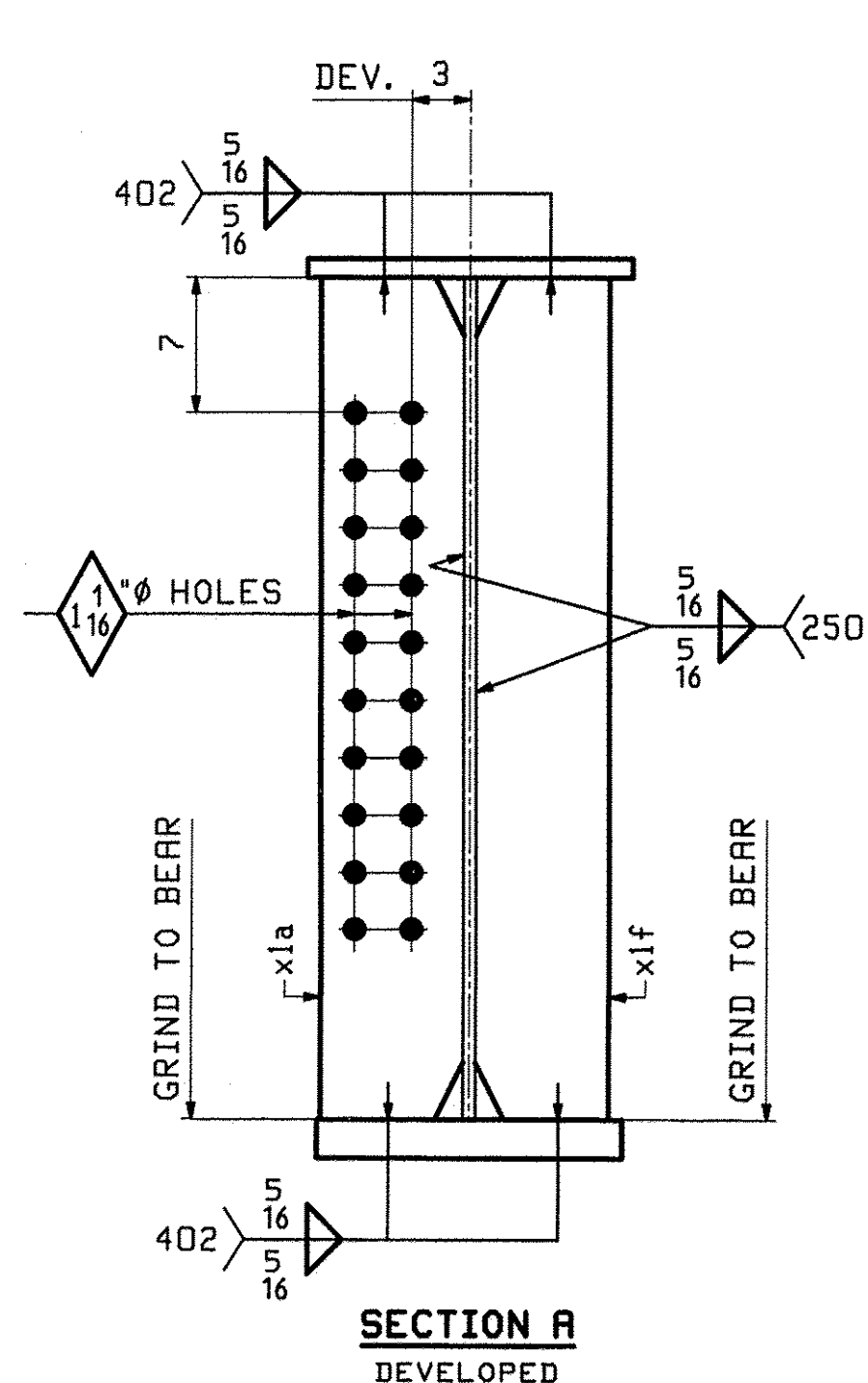
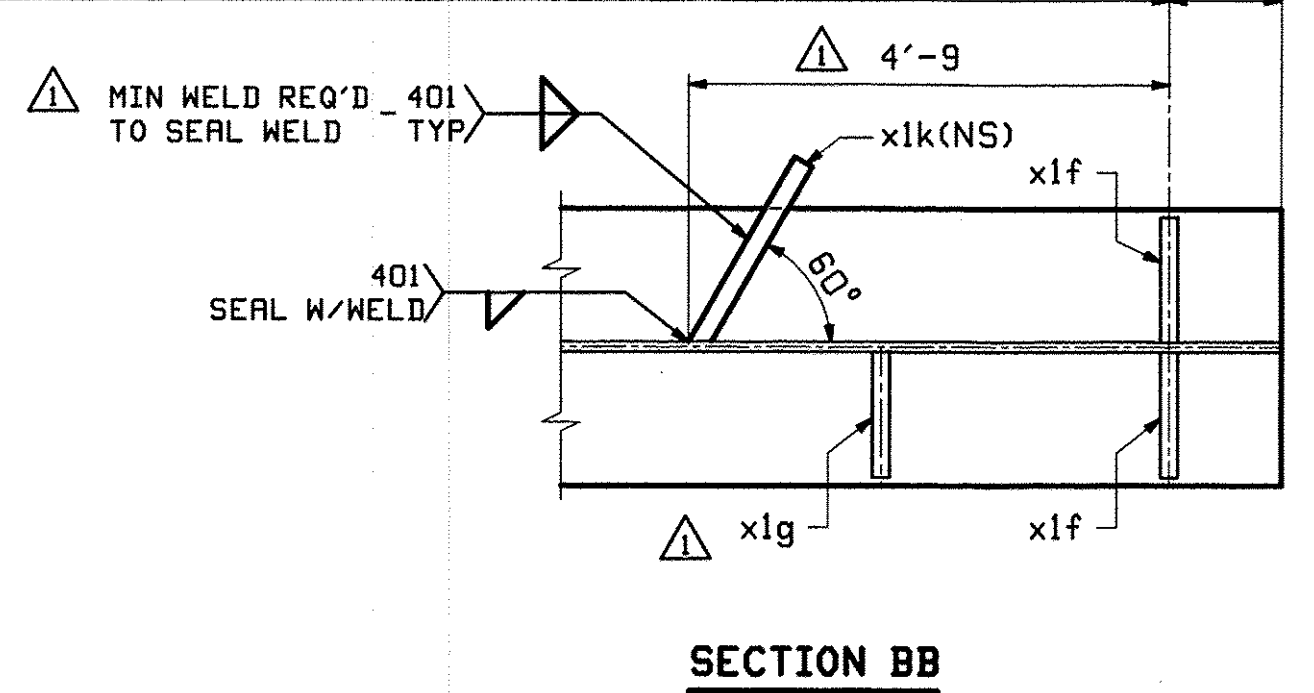
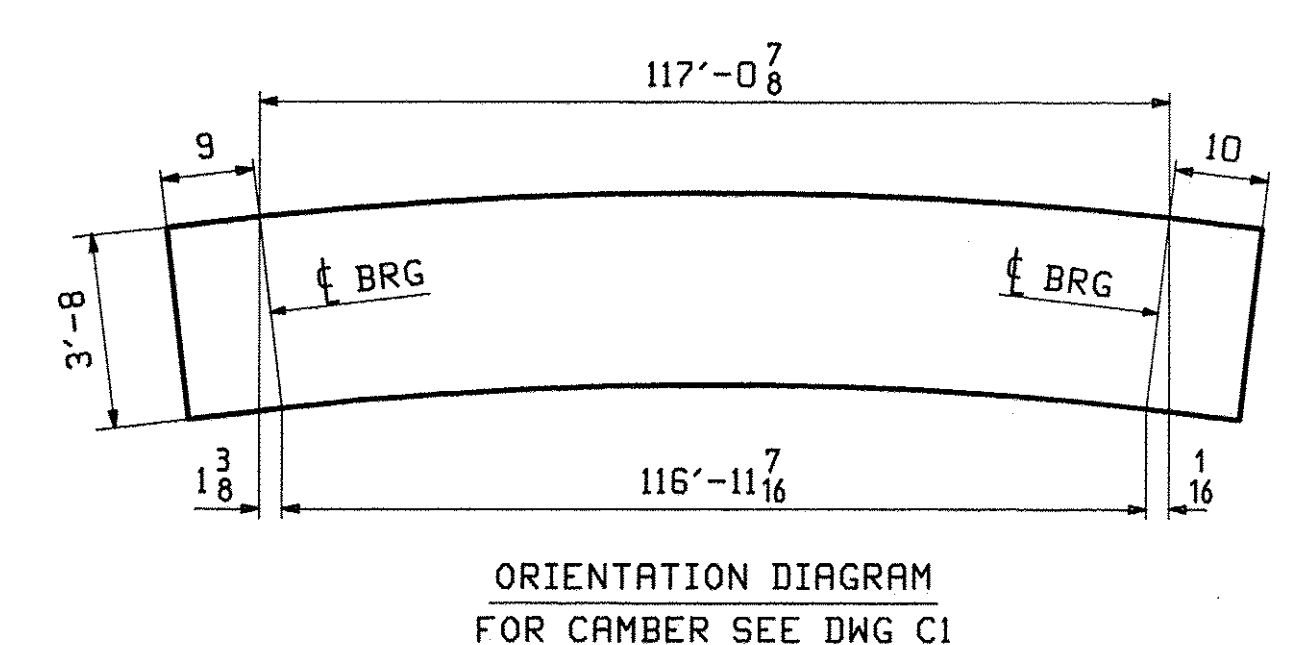


**ONE - GIRDER - 1G1**  
 FOR GIRDER STANDARD DETAILS SEE DRAWING X1.  
 FOR CAMBER & FLANGE DIAGRAMS SEE DRAWING C1.  
 FOR GENERAL NOTES SEE DRAWING GNI.  
 T2 DENOTES MATERIAL SUBJECT TO CHARPY V-NOTCH TESTING.



BILL OF MATERIAL					JOB NO.	DRAWING NO.	REV.		
					507	1			
PAGE	LINE	MARK	QTY	MARK	MATERIAL	LENGTH	REMARKS	WT	PROCUREMENT
						FT			NOTES
						INCHES			
		1G1	1		GIRDER			31543	
1	J		1	wa	PL 5/8 x 44	76 7/16	M270-50WT2		
1	L		1	wb	PL 5/8 x 44	42 1/8	M270-50WT2		
1	E		1	ta	PL 1x17	74 6	M270-50WT2		
1	G		1	tb	PL 1x17	44 1/8	M270-50WT2		
1	A		1	ba	PL 2x16	74 6	M270-50WT2		
1	C		1	bb	PL 2x16	44 0 7/16	M270-50WT2		
2	B		1	x1a	PL 5/8 x 7 9/16	3 8	MIE M270-50WT2		
2	C		3	x1f	PL 5/8 x 7	3 8	MIE M270-50WT2		
2	D		8	x1g	PL 5/8 x 7	3 8	M270-50W		
2	F		1	x1k	PL 1/4 x 4	0 10 7/8	M270-50W		



11/30	APPROVAL COMMENTS	TJB	PCP			
0					12-1-11	
REV.	DATE	REMARKS	DWN	CHK	APVL	SHOP
MATERIAL:		SURFACE PREP. & PAINT:		HOLES:		SHOP BOLTS:
M270-50W		SEE DWG GNI		AS NOTED		NONE
DESCRIPTION: GIRDER 1G1						
CASCO BAY STEEL STRUCTURES, INC.						
1 WALLACE AVE.			PHONE (207) 780-6722		TENSOR 3089	
SOUTH PORTLAND, ME 04106			FAX. (207) 780-6726			
STRUCTURE: VT 12 over LOCUST CREEK				BRIDGE 30	TJB	DATE: 10/06
BETHEL				Windsor County	PCP	DATE: 10/11
LOCATION: BETHEL				JOB NO.	DWG NO.	
PROJ NO. BHF 0241(30)				507	1	
CUSTOMER: VERMONT ROT					REV. 1	

VTtrans  
 Received  
 Ckt. 0352 Ckt. 0357  
 DEC 7 2011  
 Resubmit: \_\_\_\_\_ APPROVED: \_\_\_\_\_  
 BY: CWC DATE: 12/8/11