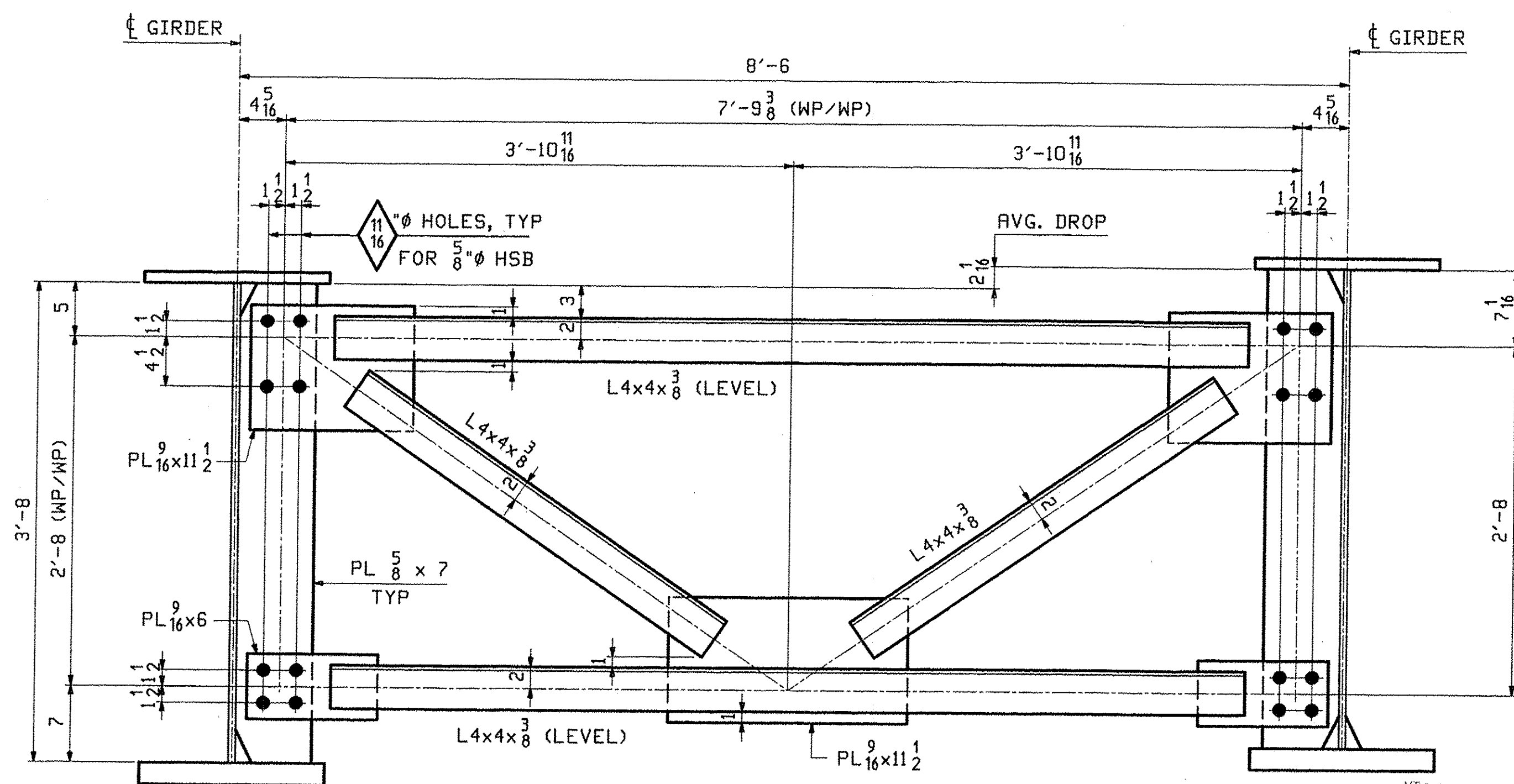
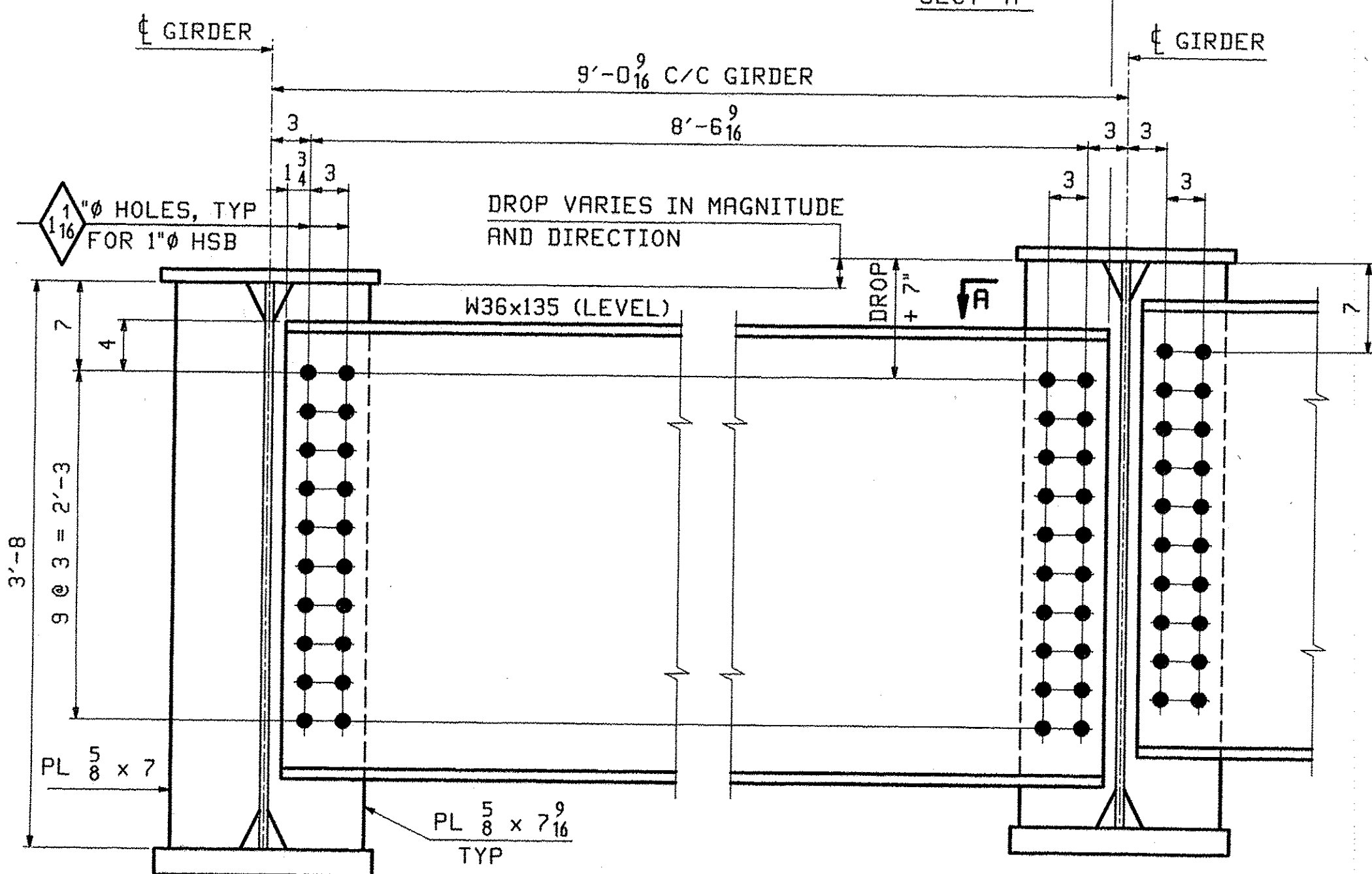
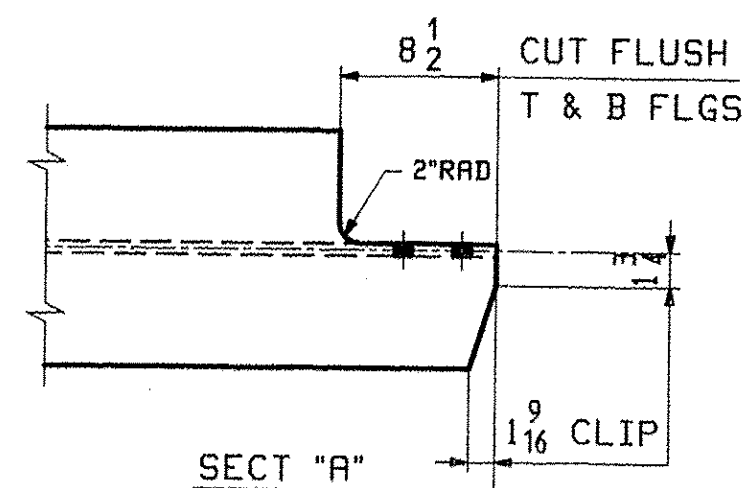


CALCULATION PLAN



**** NOTE ****
 THE PURPOSE OF THIS DRAWING IS TO COORDINATE GEOMETRIC CONTROL INFORMATION. THIS DWG IS SUBMITTED FOR INFORMATION ONLY AND IS NOT INTENDED FOR SHOP FABRICATION.

- CALCULATION PLAN NOTES:**
1. LONGITUDINAL DIMENSIONS ARE SLOPING ALONG BOTTOM OF WEBS WITH CORRECTIONS MADE FOR DL CAMBER & GRADE (UN).
 2. TRANSVERSE DIMENSIONS ARE IN A HORIZONTAL PLANE (UN).
 3. ARROW POINTS TOWARD LOW END OF MEMBER.
 4. ENDS OF GIRDERS ARE VERTICAL AFTER DL ROTATION.
 5. DIAPHRAGM STIFFENERS ARE NORMAL TO GRADE.
 6. BOTTOM POINT NUMBERS = TOP POINT NUMBERS + 100.
 7. DROPS SHOWN ARE FROM TOP OF WEB TO TOP OF WEB.
 8. COMBINE DROPS FOR +/- 1/8."

REV.	DATE	REMARKS	DWN	CHK	APVL	SHOP
0						
OCT 19 2011						
MATERIAL:	SURFACE PREP. & PAINT:		HOLES:		SHOP BOLTS:	
M270-50W	SEE GNI		AS NOTED		AS NOTED	
DESCRIPTION: CALCULATION PLAN & LAYOUTS						
CASCO BAY STEEL STRUCTURES, INC.						
1 WALLACE AVE.			PHONE (207) 780-6722			
SOUTH PORTLAND, ME 04106			FAX. (207) 780-6726			
STRUCTURE: VT 12 over LOCUST CREEK		DRAWN:		DATE:		
BRIDGE 30		TJB		10/05		
BETHEL		CHKD:		DATE:		
Windsor County		PCP		10/11		
LOCATION: BETHEL		JOB NO.		DWG NO.		
PROJ NO. BHF 0241(30)		507		WS1		
CUSTOMER: VERMONT ROT				REV. 1		

PCP Thu Oct 13 2011 09:54:54 AM - AutoCAD/Plot/Plotter/Plot - Rev0

VTrans
 Received
 OCT 24 2011
 Resubm
 BY: [Signature]
 APPROVED
 DATE: [Signature]