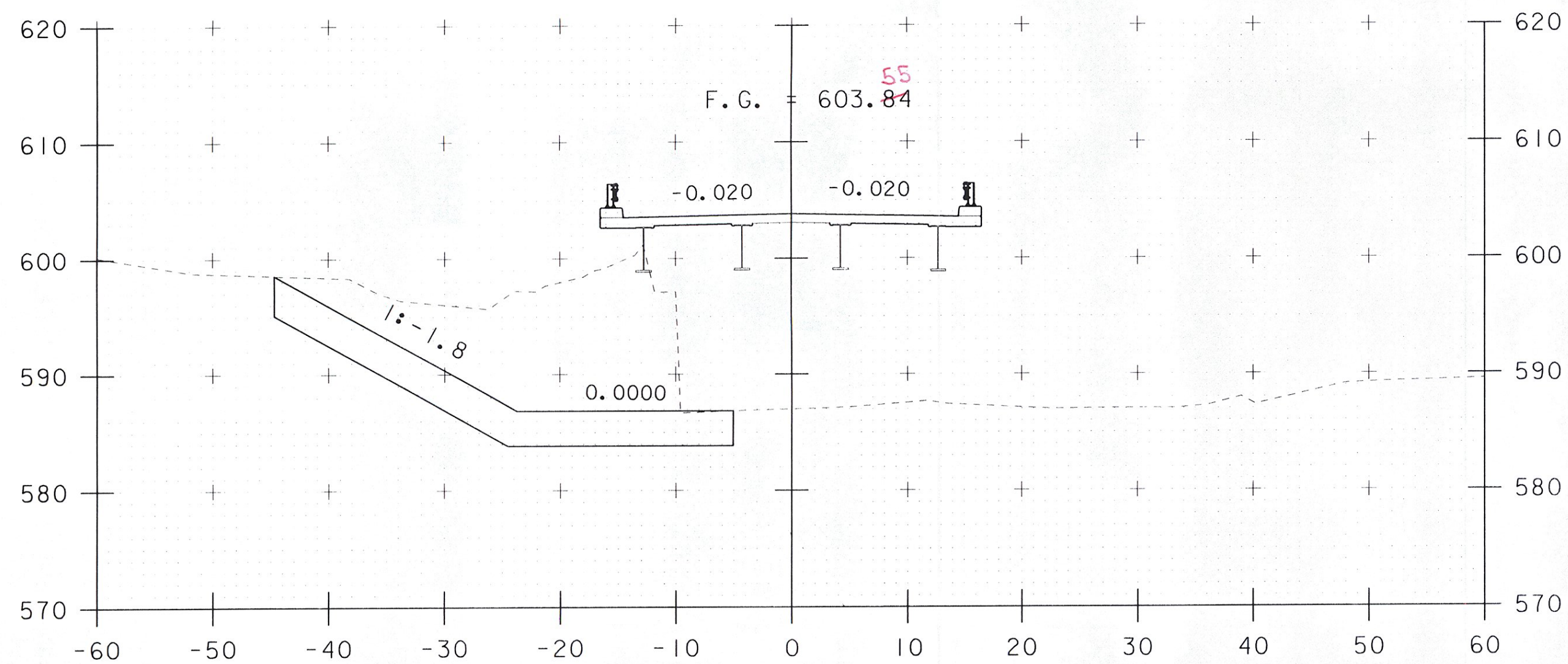
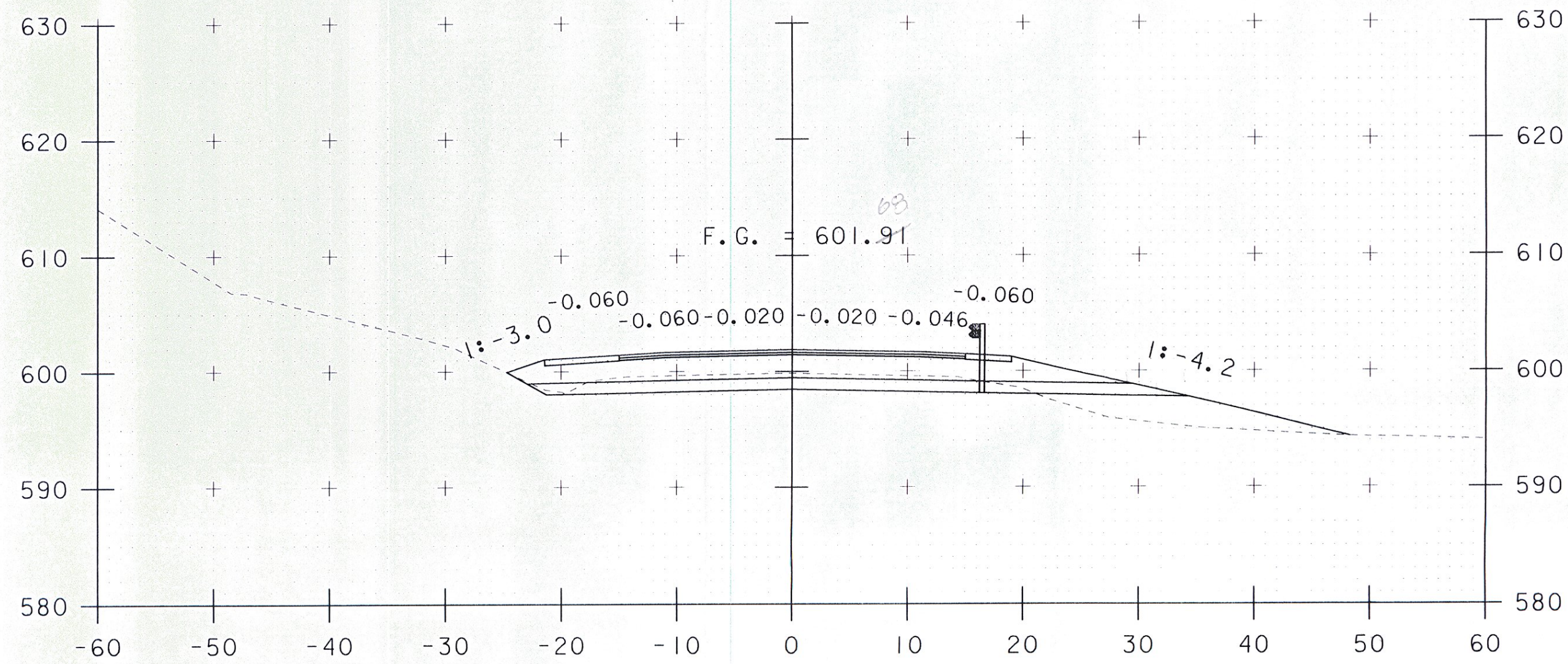


105+83.42
END BRIDGE

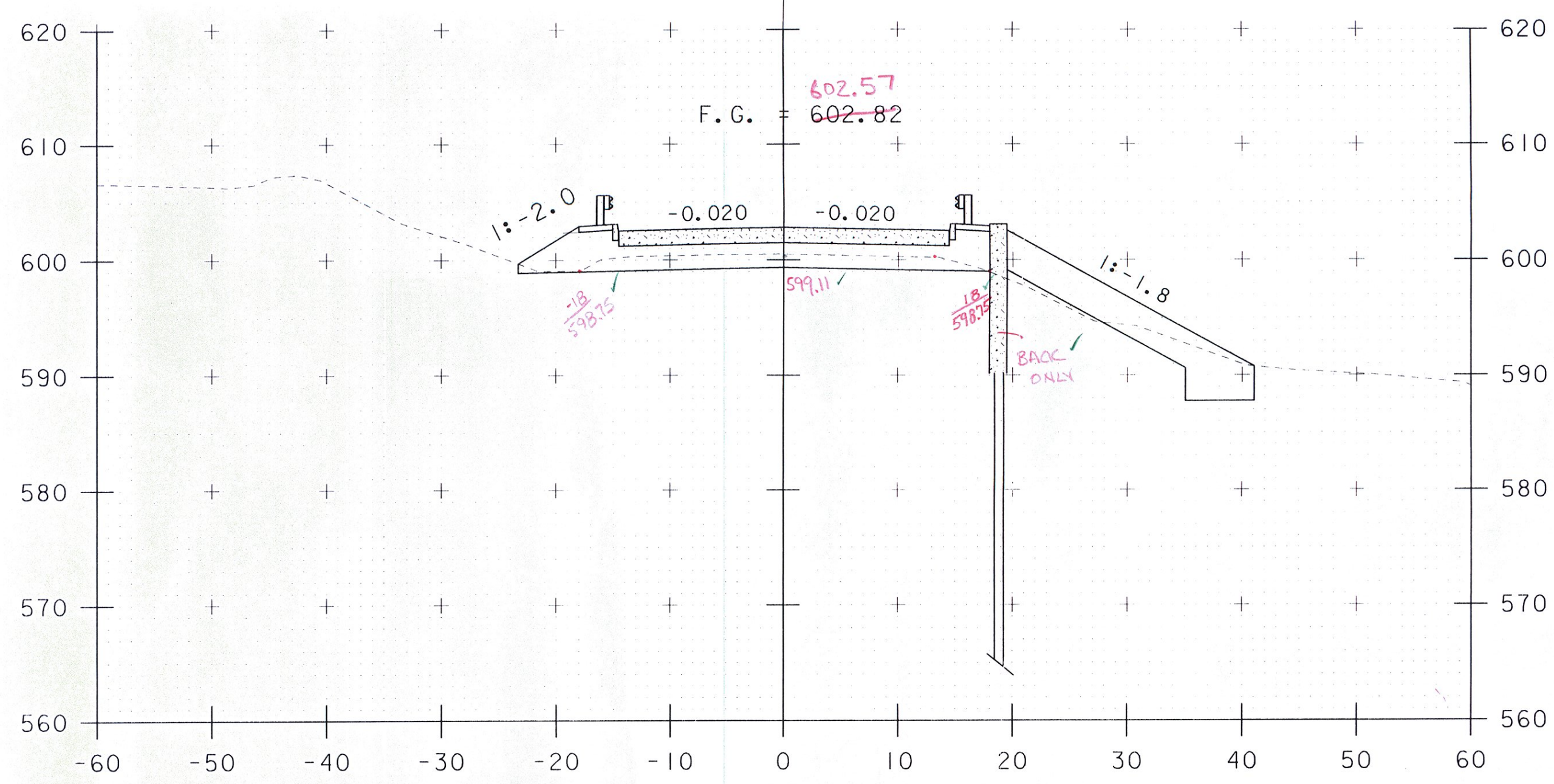


105+50



106+36

No Need to
calculate common
on this station



106+00

COMMON EXC
-18 598.75
-16 600.00
0 600.6
13 600.2 45 #
18 598.75
0 599.11
-18 598.75

PKP
1-24-13

PROJECT NAME: BETHEL	PLOT DATE: 31-AUG-2011
PROJECT NUMBER: BHF 0241(30)	DRAWN BY: U. STANLEY
FILE NAME: sc002xs.dgn	CHECKED BY: G. ROKES
PROJECT LEADER: M. EVANS-MONGEON	SHEET 59 OF 64
DESIGNED BY: U. STANLEY	
MAINLINE SECTIONS SHEET 4	