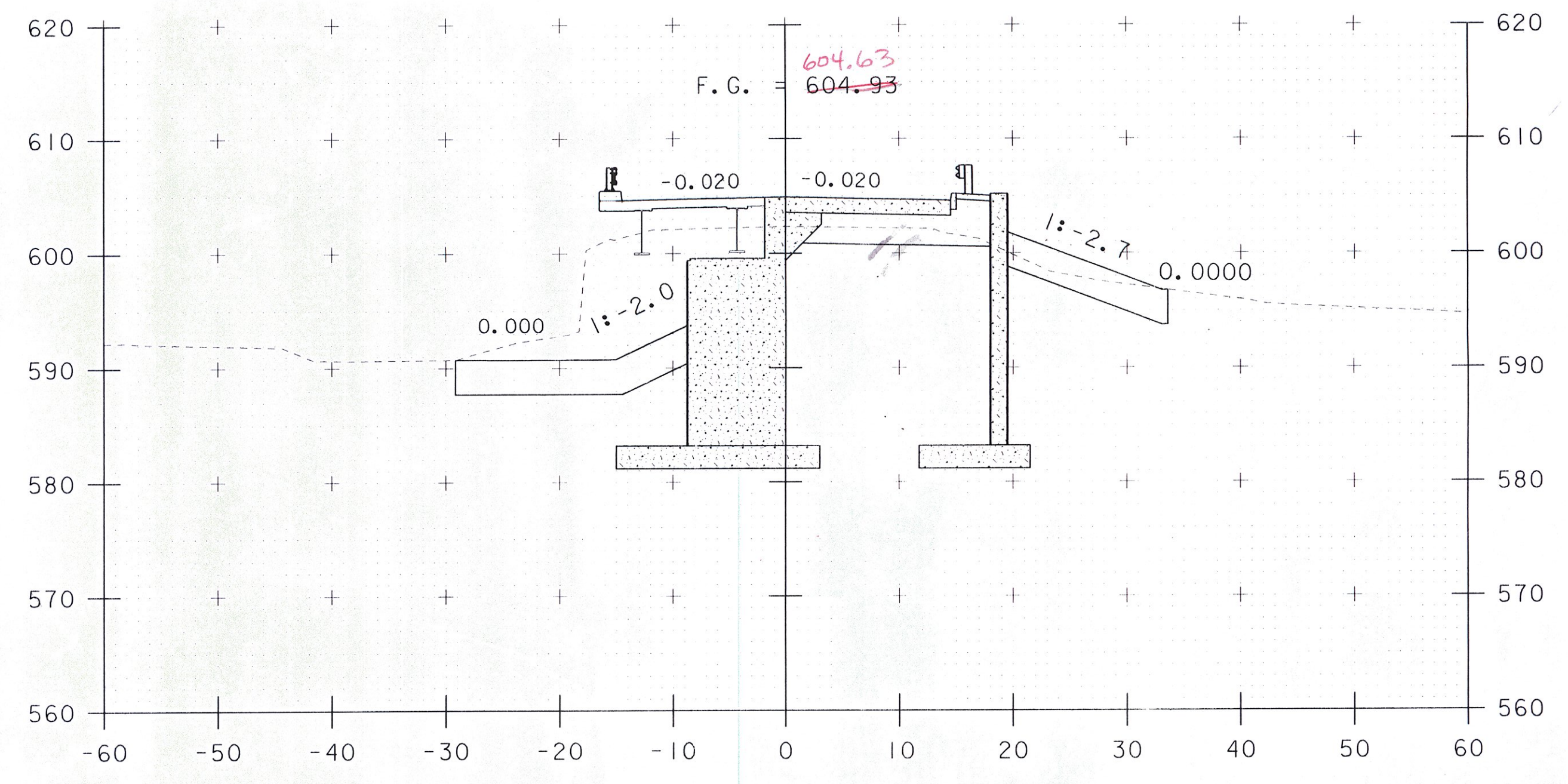
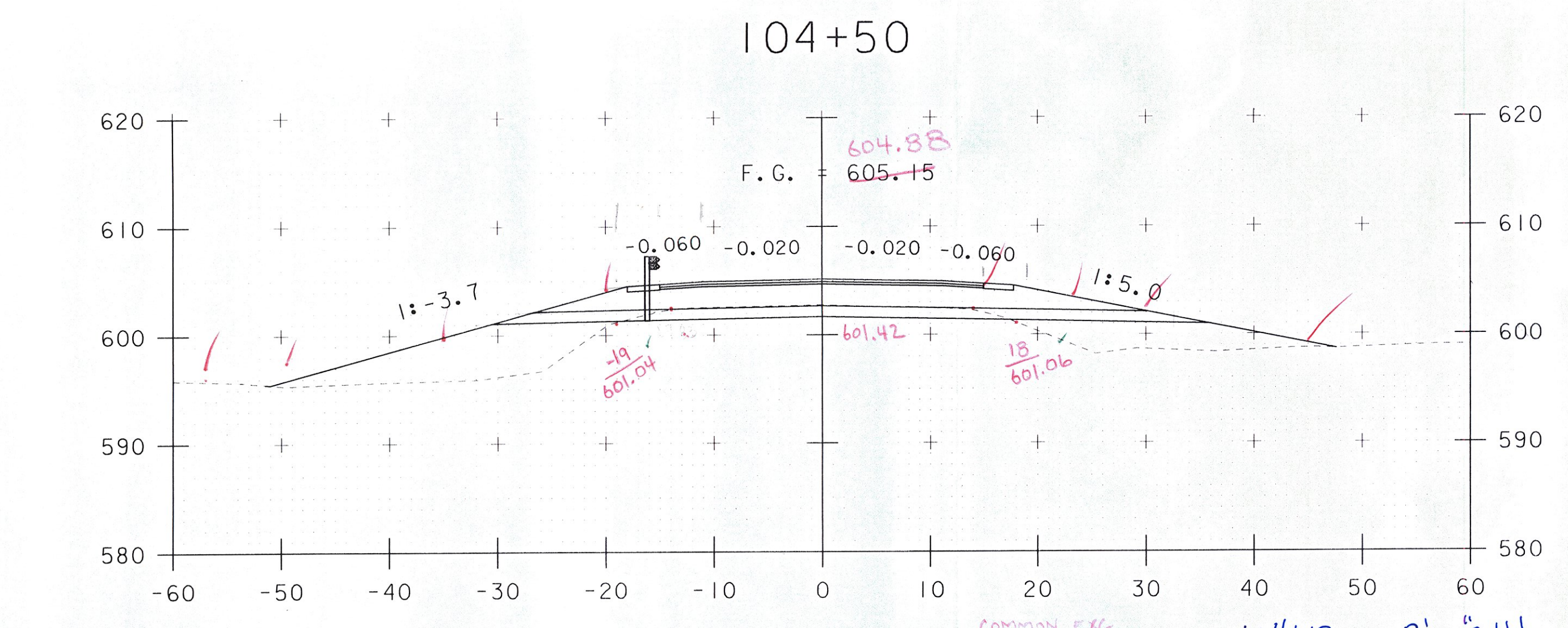
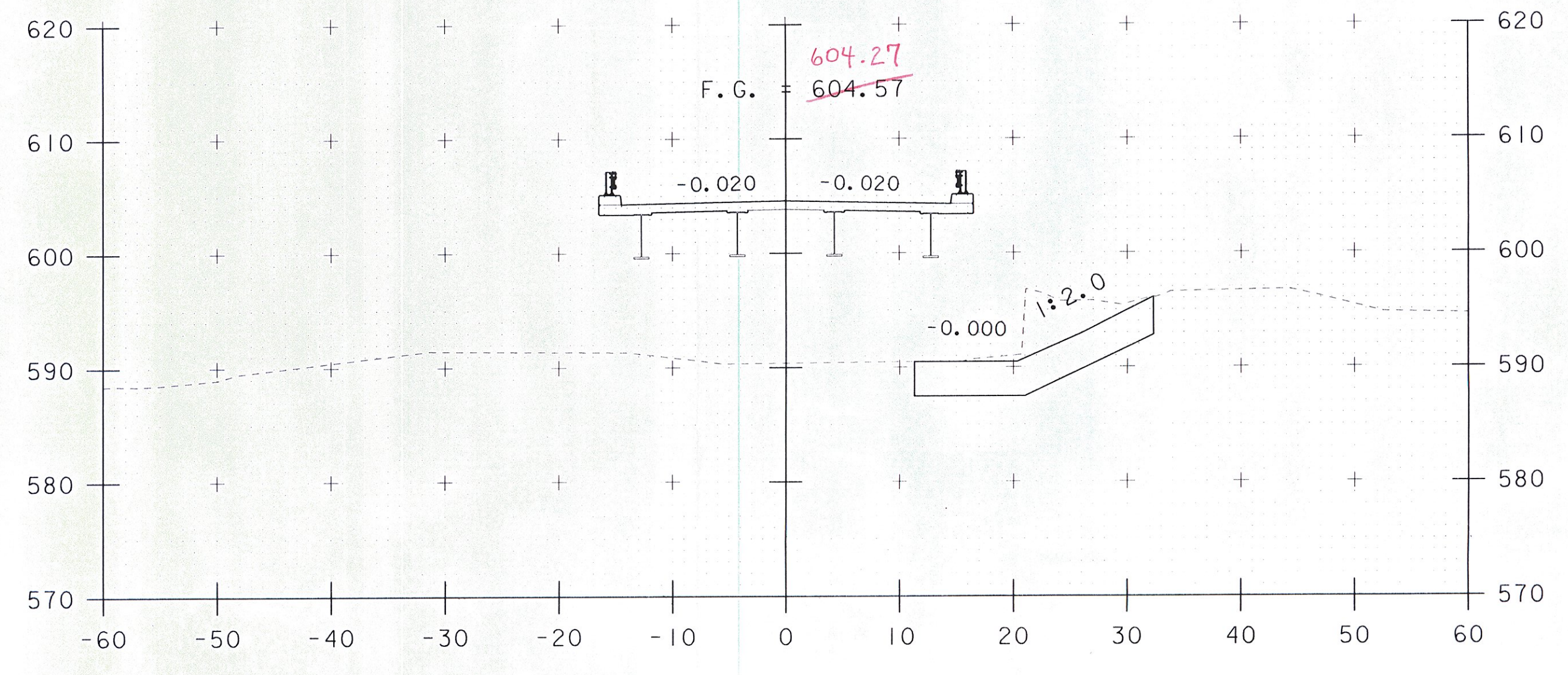
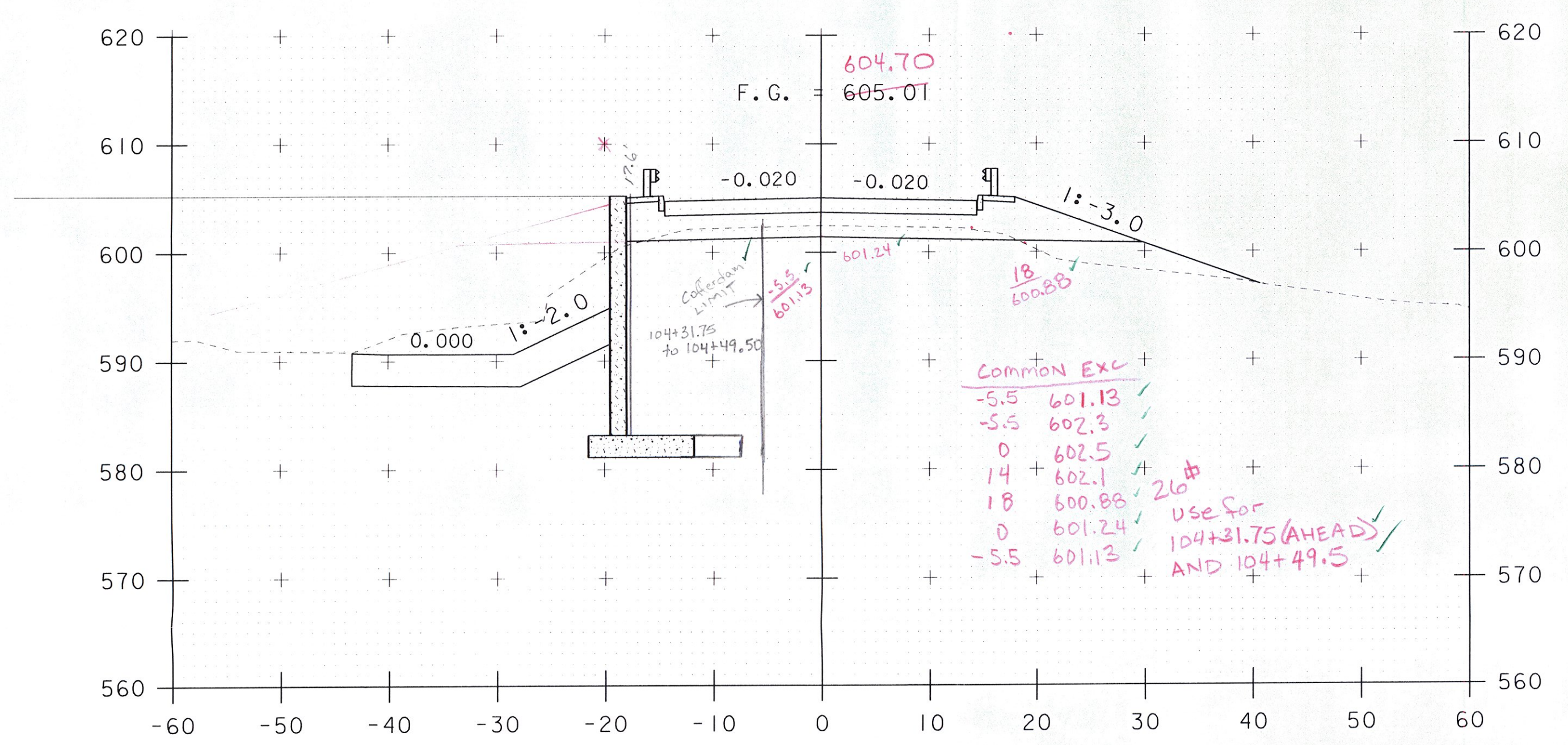


ZERO COMMON @ 104+58 ✓



103+75.1 (8' "bubble") 104+00

Common Exc
 -19 601.04 ✓
 -14 602.2 ✓
 0 602.8 ✓
 14 602.3 41# ✓
 18 601.06 ✓
 0 601.42 ✓
 -19 601.04 ✓
 USE SAME FOR 104+31.75 BACK ✓

PROJECT NAME:	BETHEL	PLOT DATE:	31-AUG-2011
PROJECT NUMBER:	BHF 0241(30)	DRAWN BY:	U. STANLEY
FILE NAME:	sc002xs.dgn	CHECKED BY:	G. ROKES
PROJECT LEADER:	M. EVANS-MONGEON	SHEET	58 OF 64
DESIGNED BY:	U. STANLEY		
MAINLINE SECTIONS SHEET 3			