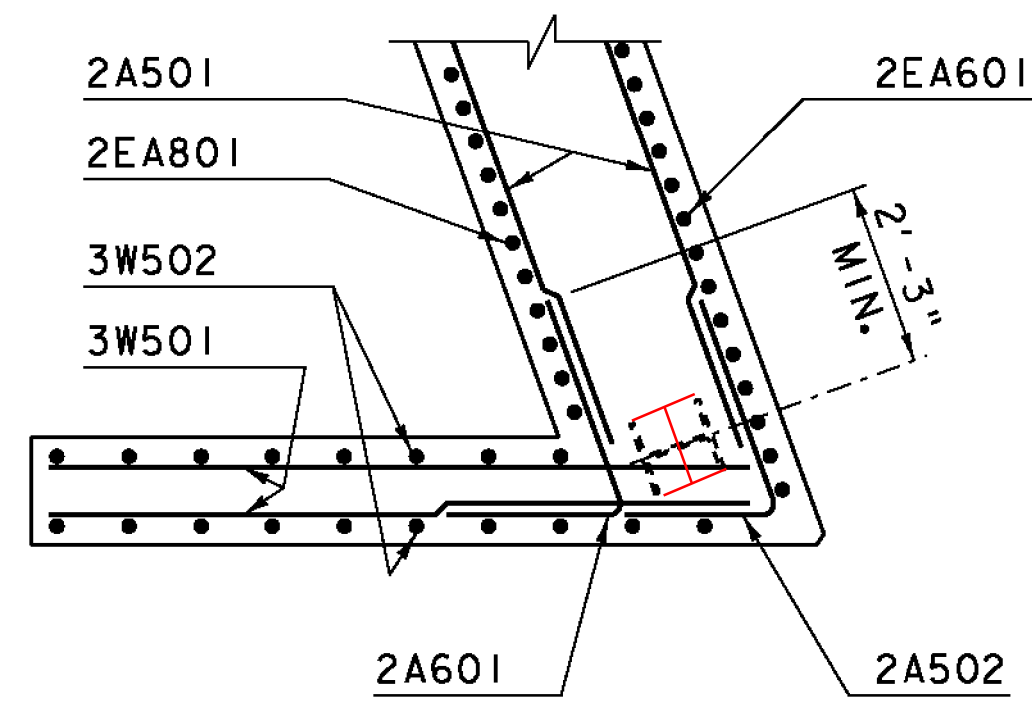


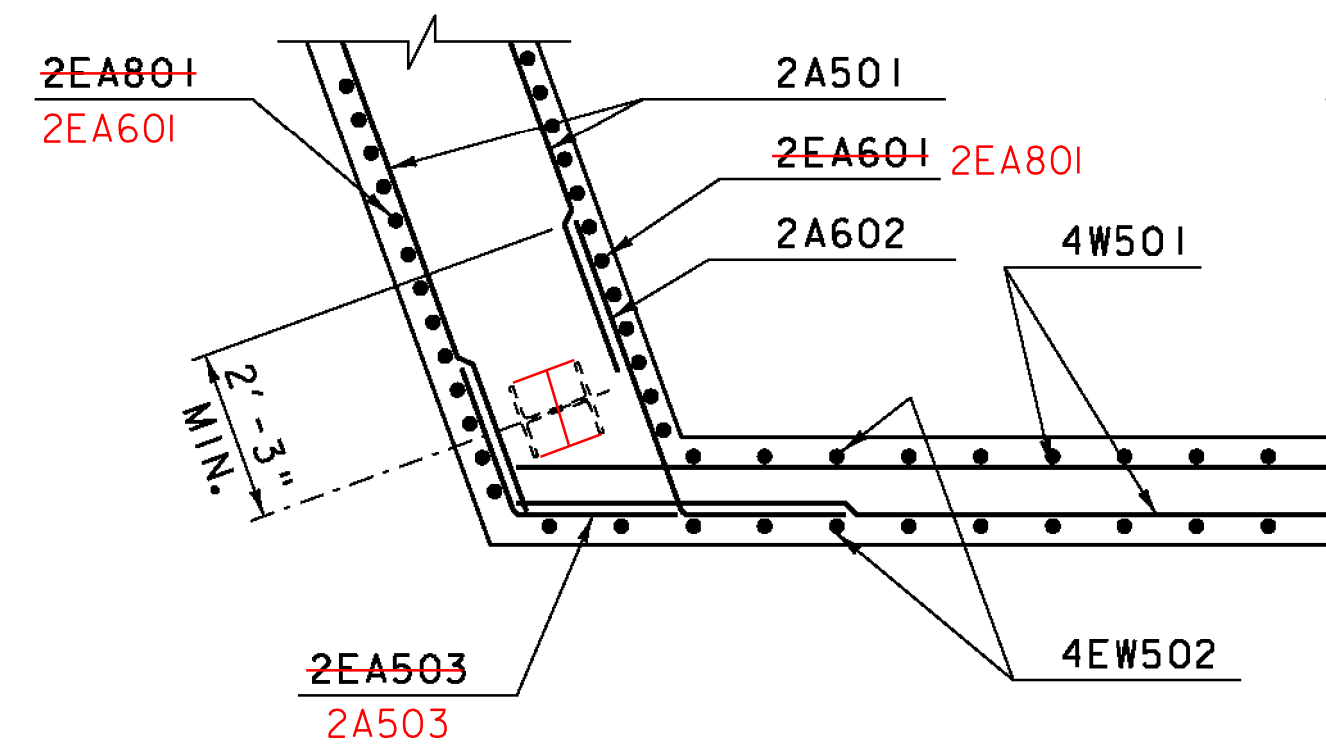
WINGWALL #3 CORNER
DETAIL ABOVE SEAT

SCALE 3/8" = 1'-0"



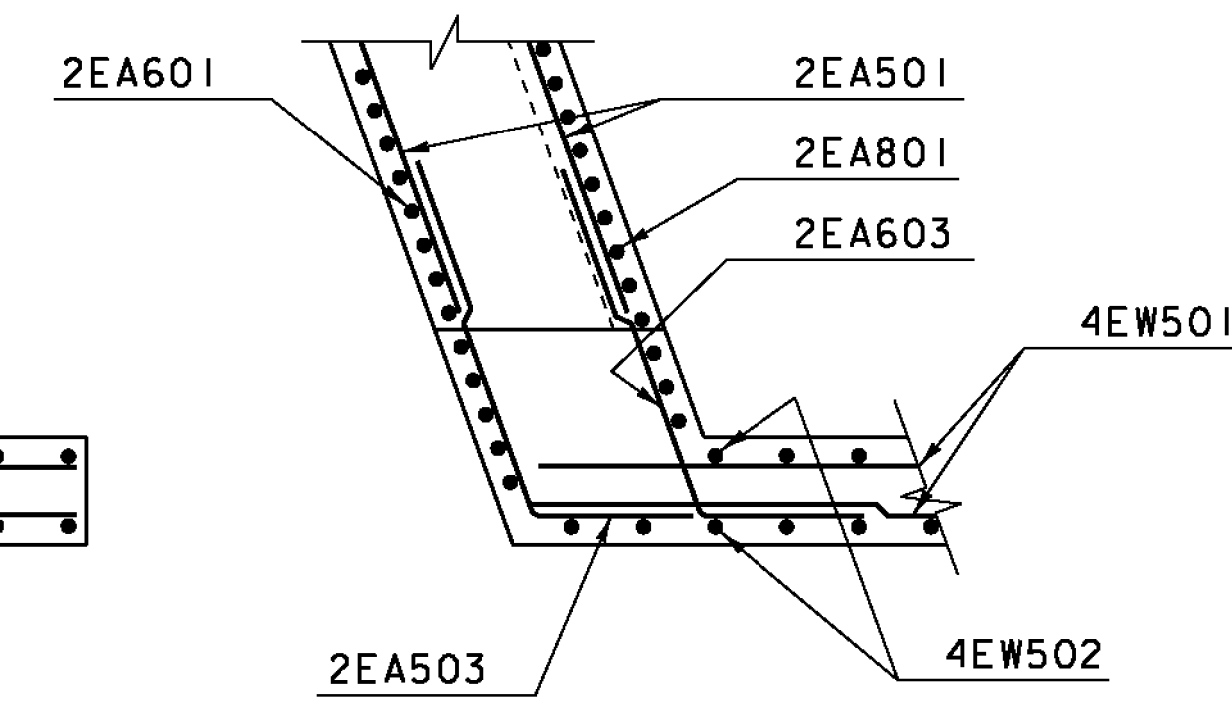
WINGWALL #3 CORNER
DETAIL BELOW SEAT

SCALE 3/8" = 1'-0"



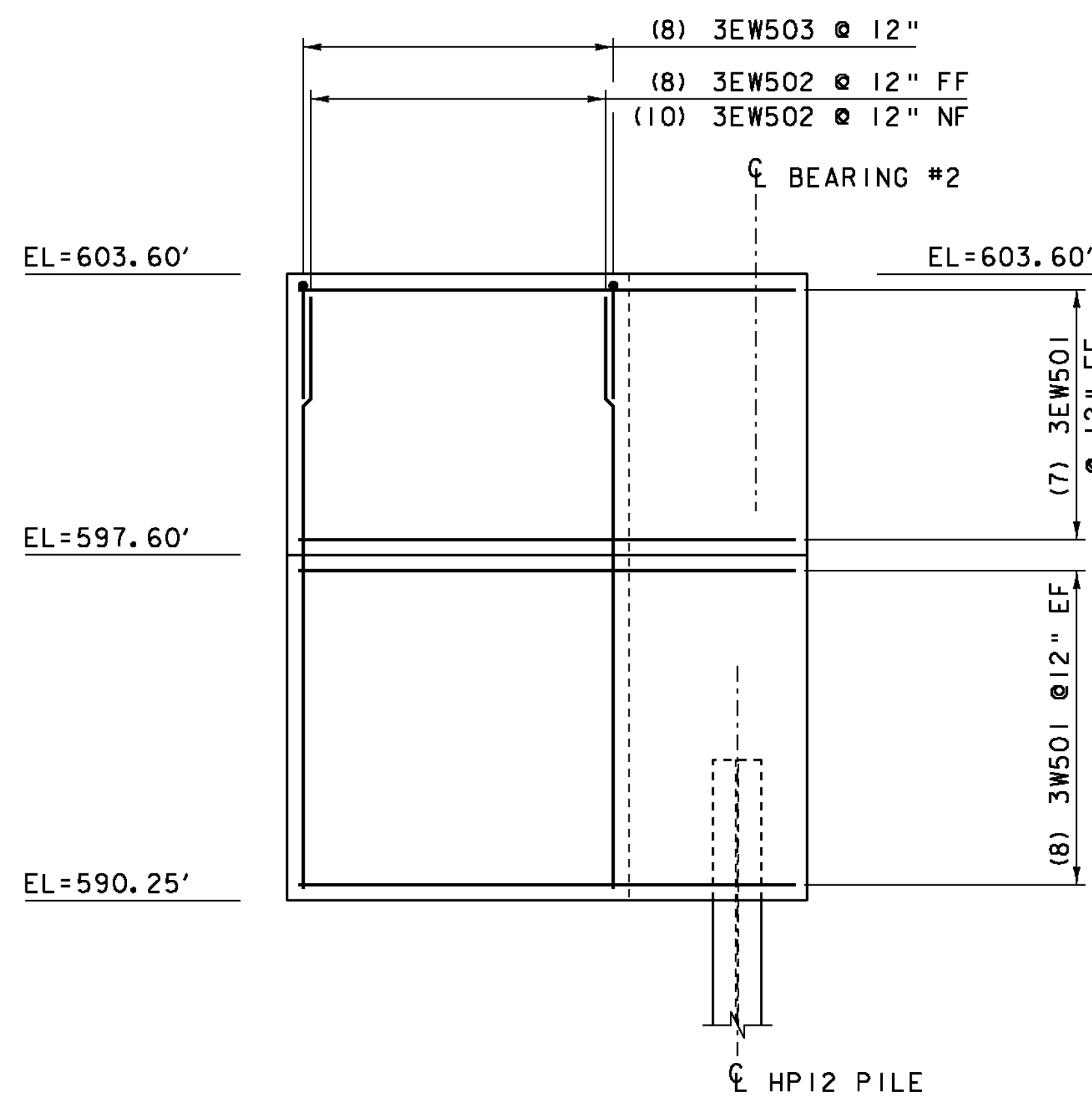
WINGWALL #4 CORNER
DETAIL BELOW SEAT

SCALE 3/8" = 1'-0"



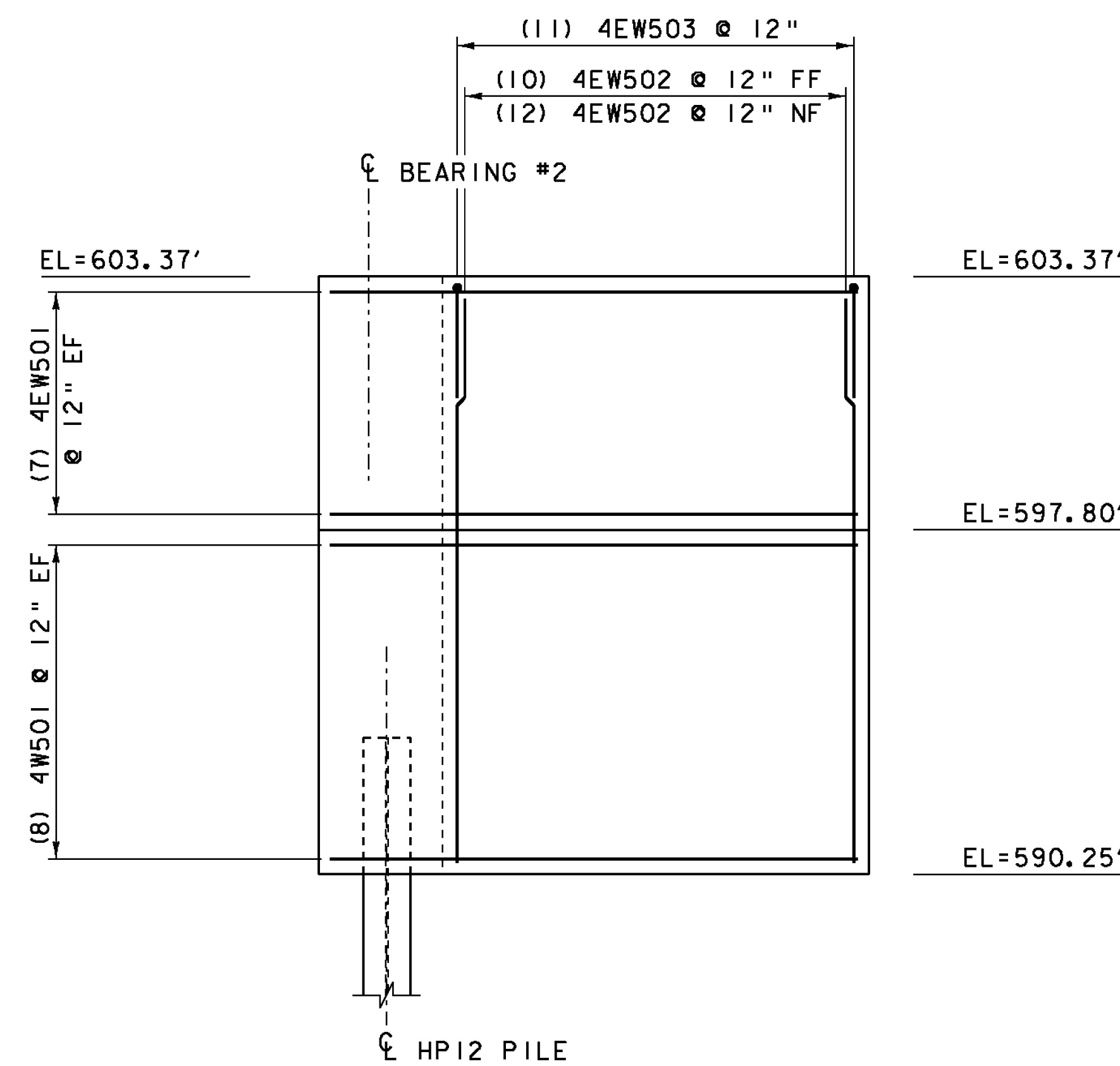
WINGWALL #4 CORNER
DETAIL ABOVE SEAT

SCALE 3/8" = 1'-0"



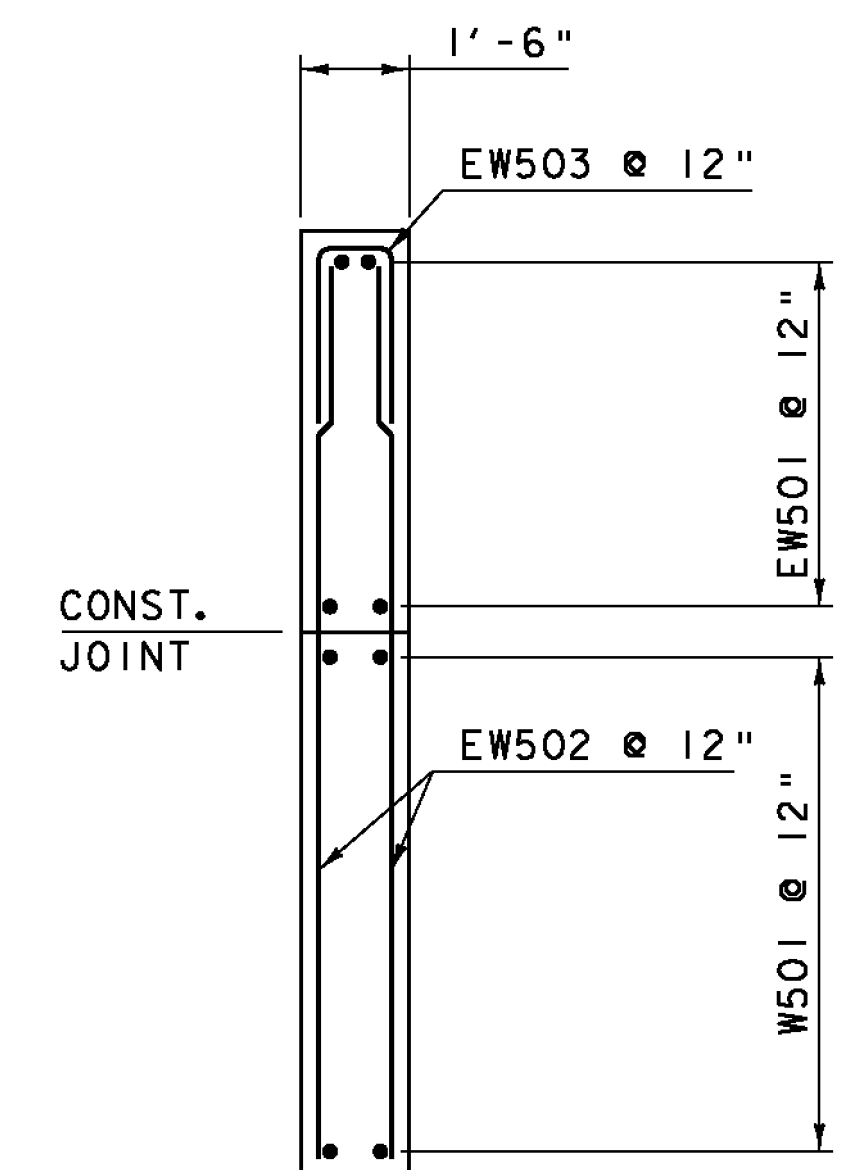
WINGWALL #3 ELEVATION

SCALE 3/8" = 1'-0"



WINGWALL #4 ELEVATION

SCALE 3/8" = 1'-0"



WINGWALL TYPICAL

SCALE 3/8" = 1'-0"

NOTES:

- NF = NEAR FACE
- FF = FAR FACE
- EF = EACH FACE
- ▲ = CUT TO FIT IN FIELD

3" CLEAR UNLESS OTHERWISE SPECIFIED ON PLANS

ALL LAPS ARE 2'-2" UNLESS OTHERWISE SPECIFIED ON PLANS

PROJECT NAME: BETHEL
PROJECT NUMBER: BHF 0241 (30)

FILE NAME: s95c002sub.dgn
PROJECT LEADER: M. EVANS-MONGEON
DESIGNED BY: U. STANLEY
WINGWALL #3 & #4 ELEVATION & DETAILS

PLOT DATE: 31-AUG-2011
DRAWN BY: M. LONGSTREET
CHECKED BY: U. STANLEY
SHEET 52 OF 64