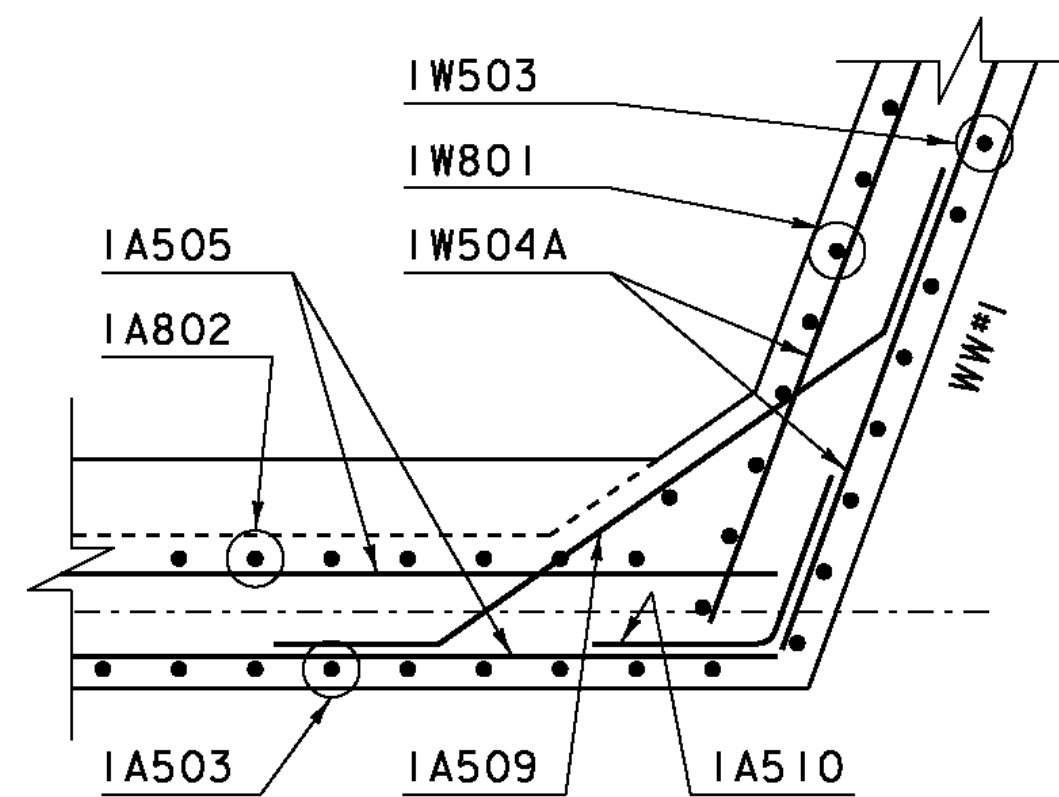


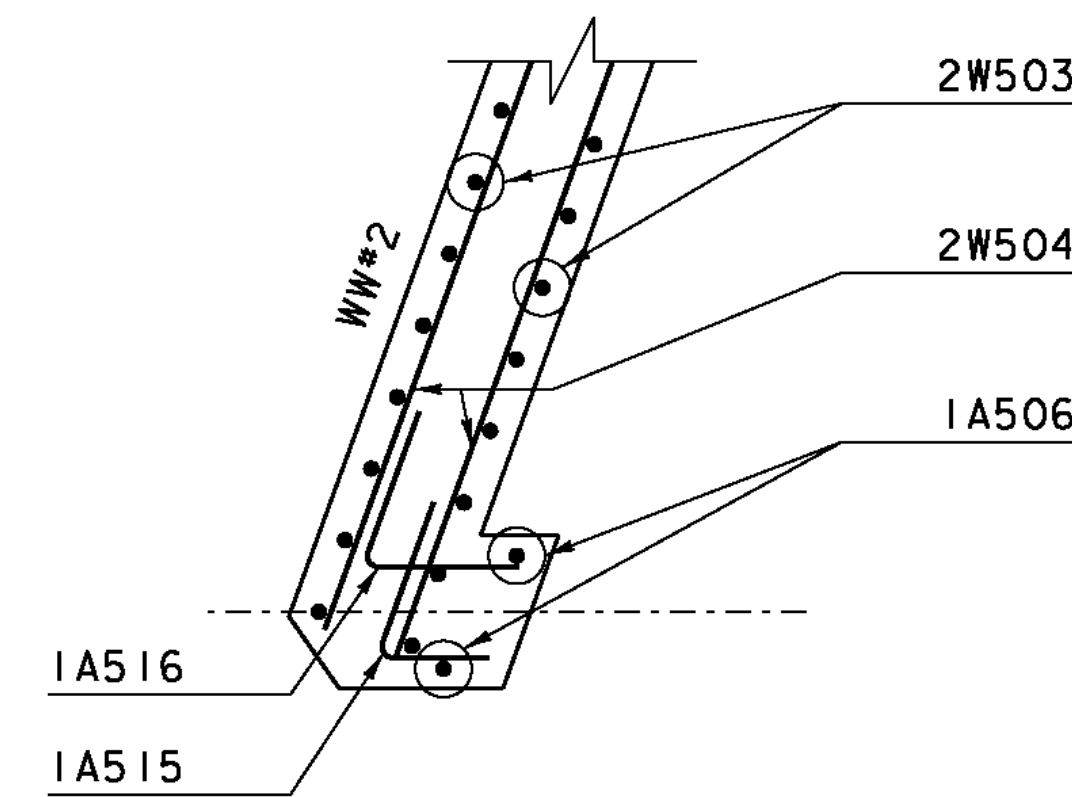
WINGWALL #1 CORNER
DETAIL ABOVE SEAT

SCALE 3/8" = 1'-0"



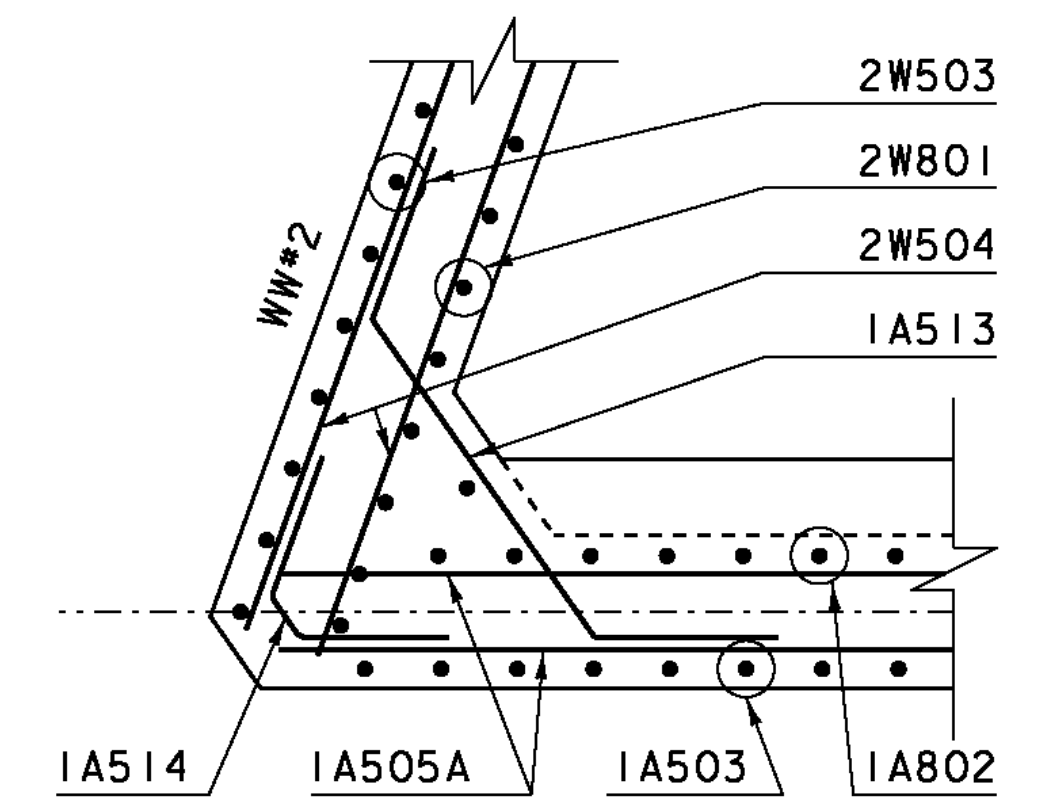
WINGWALL #1 CORNER
DETAIL BELOW SEAT

SCALE 3/8" = 1'-0"



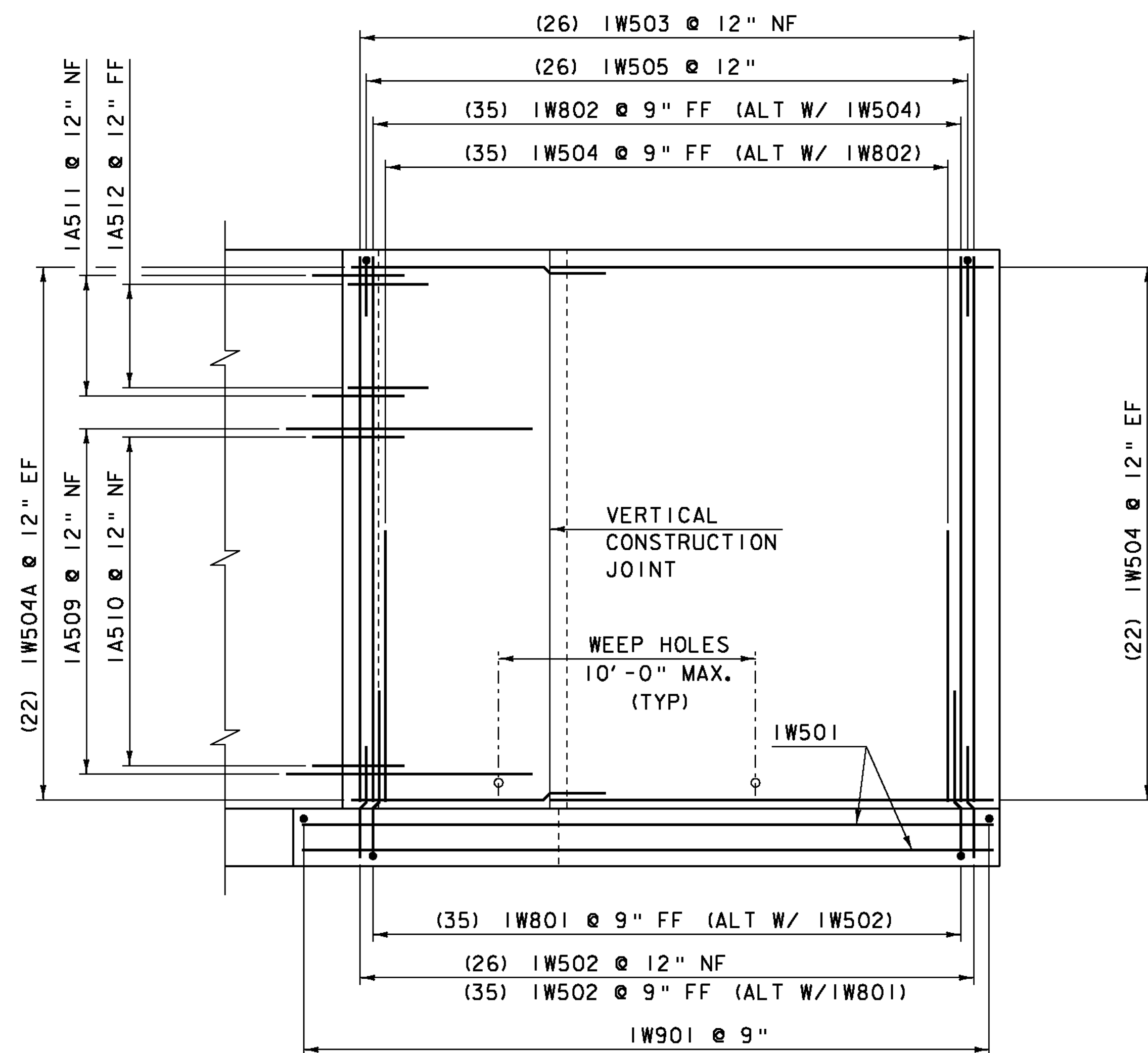
WINGWALL #2 CORNER
DETAIL ABOVE SEAT

SCALE 3/8" = 1'-0"



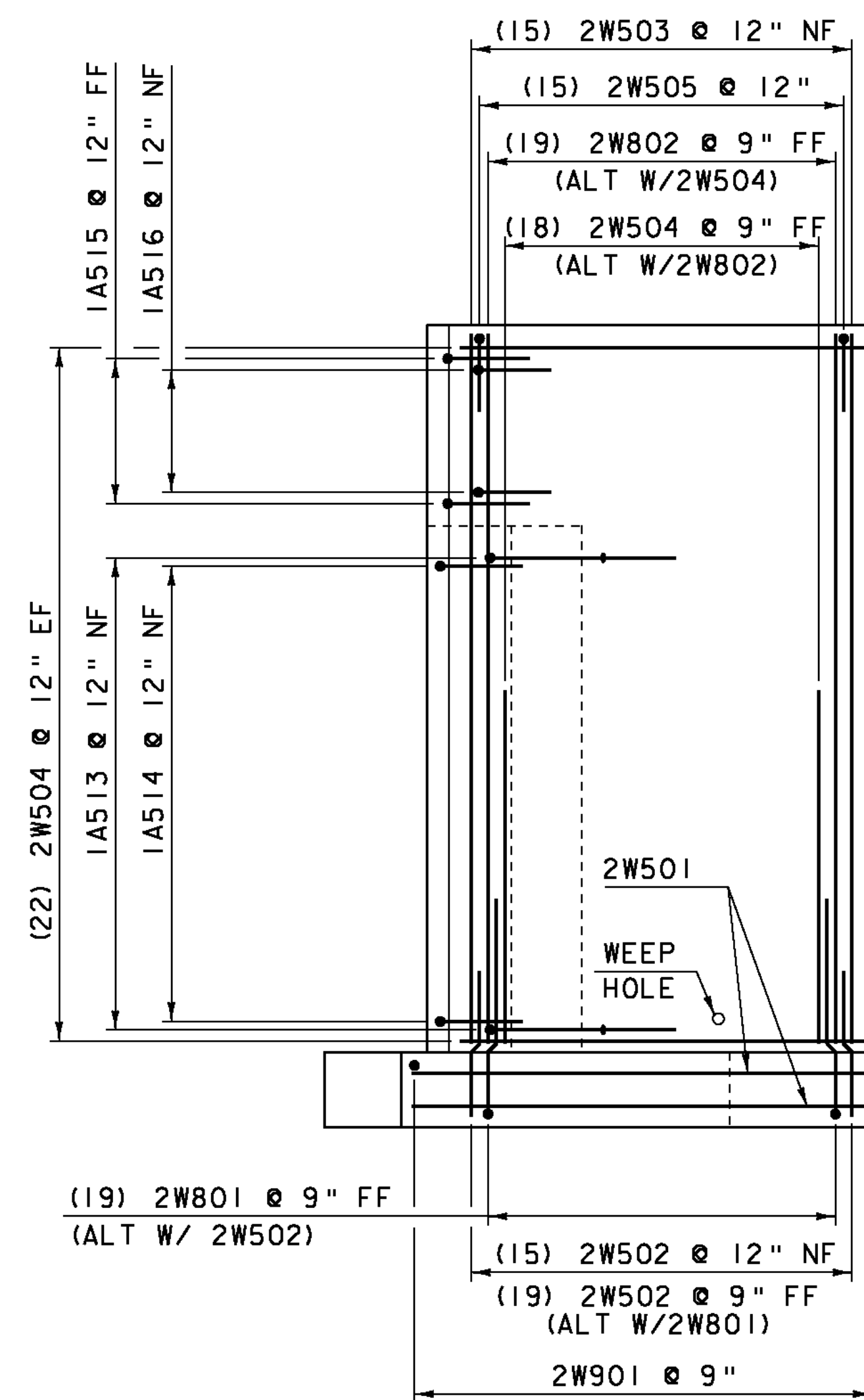
WINGWALL #2 CORNER
DETAIL BELOW SEAT

SCALE 3/8" = 1'-0"



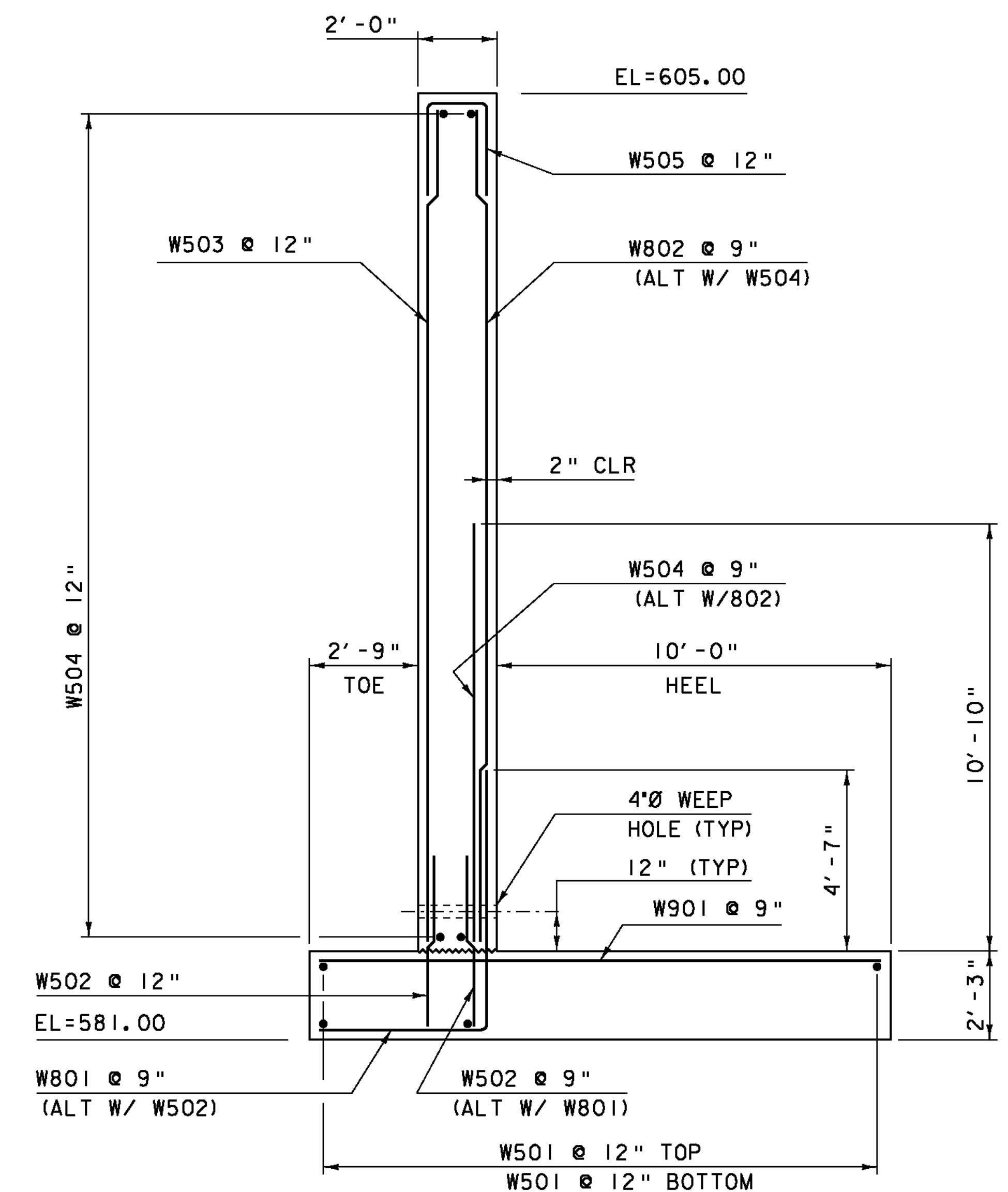
WINGWALL #1 ELEVATION

SCALE 1/4" = 1'-0"



WINGWALL #2 ELEVATION

SCALE 1/4" = 1'-0"



WINGWALL I & 2 TYPICAL

SCALE 3/8" = 1'-0"

NOTES:
 NF = NEAR FACE
 FF = FAR FACE
 EF = EACH FACE
 ▲ = CUT TO FIT IN FIELD
 3" CLEAR UNLESS OTHERWISE SPECIFIED ON PLANS
 ALL LAPS ARE 2'-2" UNLESS OTHERWISE SPECIFIED ON PLANS

PROJECT NAME:	BETHEL	PLOT DATE:	31-AUG-2011
PROJECT NUMBER:	BHF 0241(30)	DRAWN BY:	M. LONGSTREET
FILE NAME:	s95c002sub.dgn	DESIGNED BY:	U. STANLEY
PROJECT LEADER:	M. EVANS-MONGEON	CHECKED BY:	U. STANLEY
WINGWALL #1 & #2 ELEVATION & DETAILS		SHEET 49 OF 64	