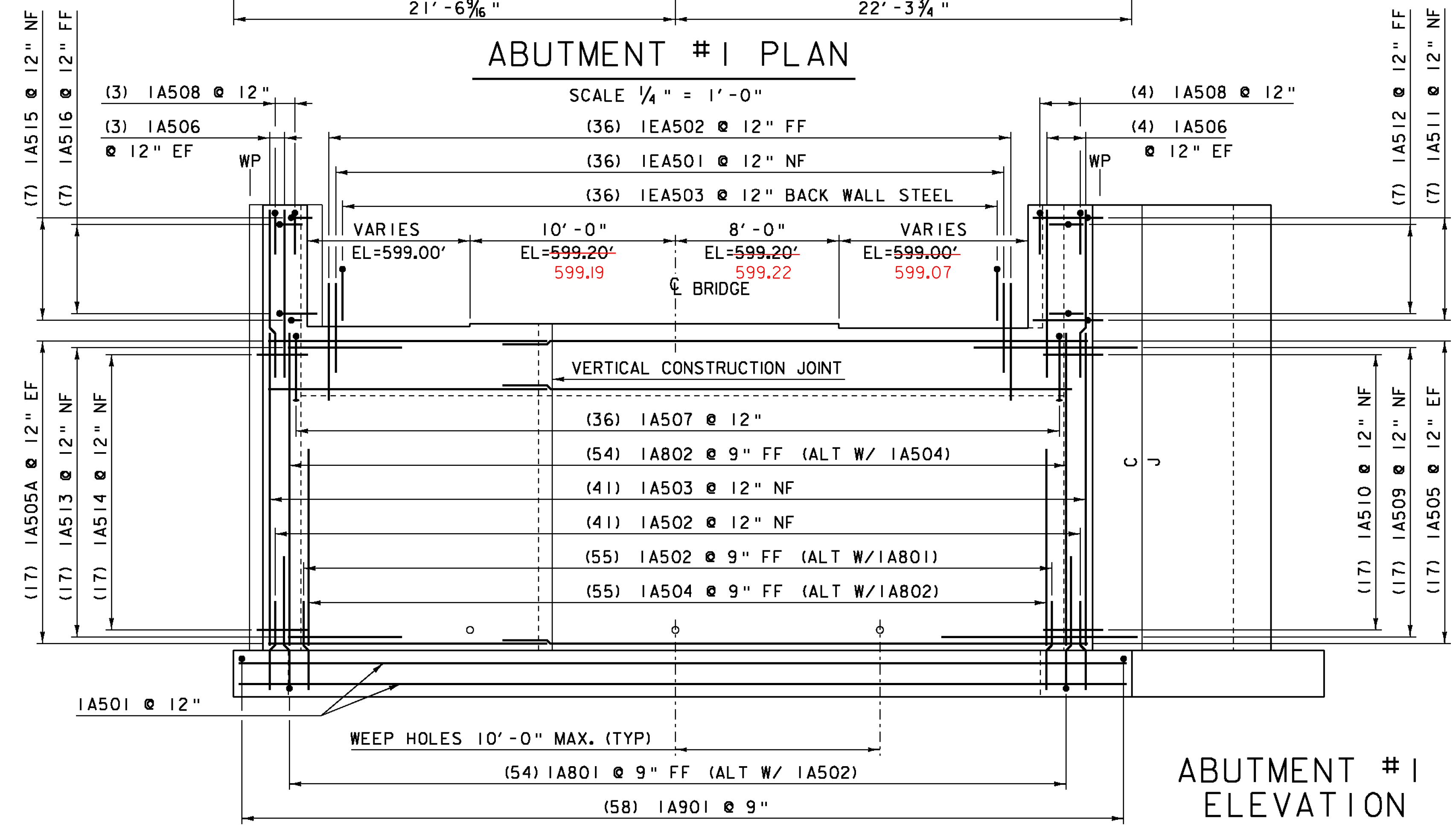


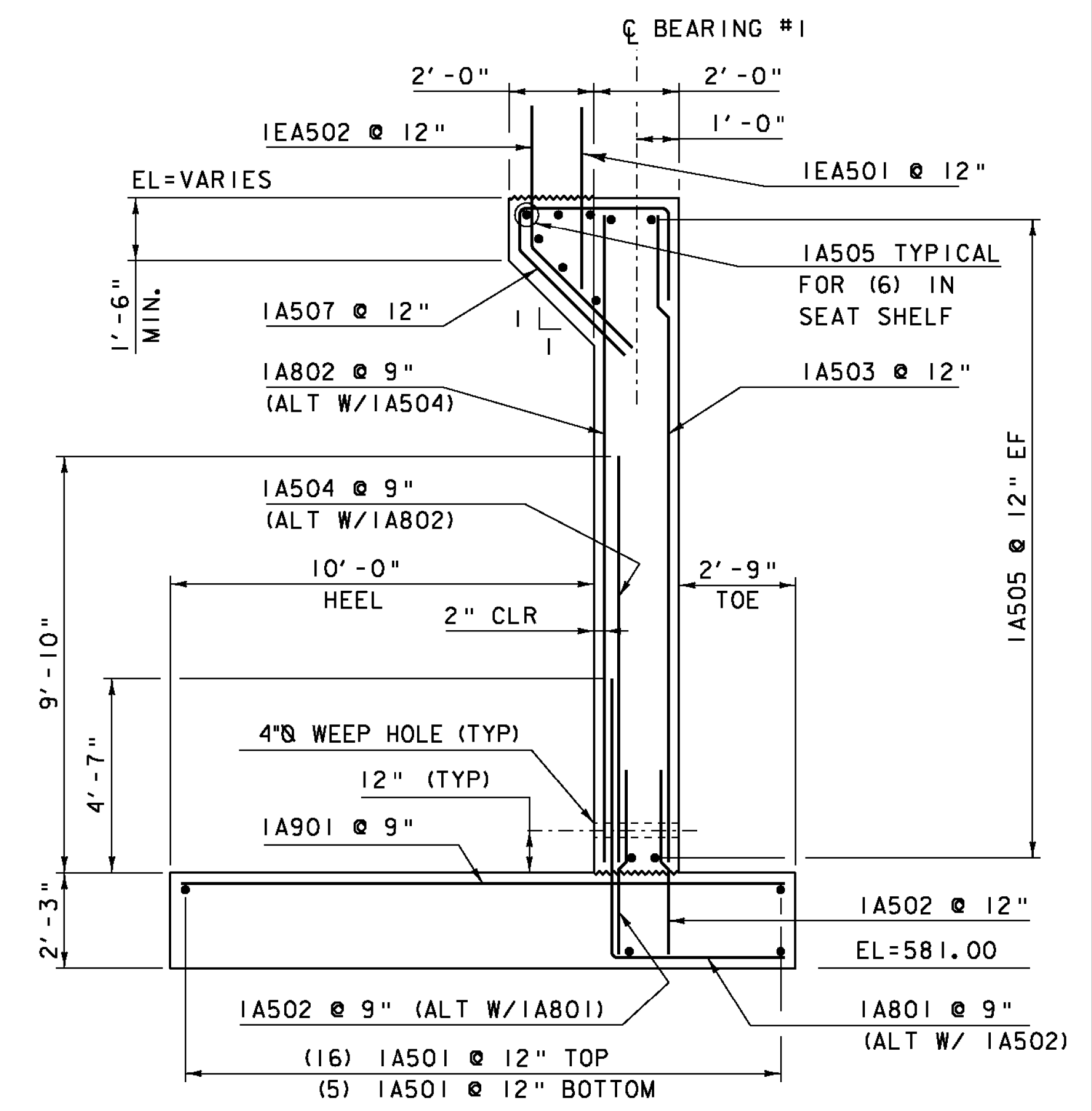
ABUTMENT #1 PLAN

SCALE 1/4" = 1'-0"



ABUTMENT #1 ELEVATION

SCALE 1/4" = 1'-0"



ABUTMENT #1 TYPICAL

SCALE 3/8" = 1'-0"

- NOTES:**
- NF = NEAR FACE
 - FF = FAR FACE
 - EF = EACH FACE
 - ▲ = CUT TO FIT IN FIELD
 - 3" CLEAR UNLESS OTHERWISE SPECIFIED ON PLANS
 - ALL LAPS ARE 2'-2" UNLESS OTHERWISE SPECIFIED ON PLANS

| | | | |
|------------------------------|------------------|--------------|---------------|
| PROJECT NAME: | BETHEL | PLOT DATE: | 31-AUG-2011 |
| PROJECT NUMBER: | BHF 0241 (30) | DRAWN BY: | M. LONGSTREET |
| FILE NAME: | s95c002sub.dgn | DESIGNED BY: | U. STANLEY |
| PROJECT LEADER: | M. EVANS-MONGEON | CHECKED BY: | U. STANLEY |
| ABUTMENT #1 PLAN & ELEVATION | | SHEET | 48 OF 64 |