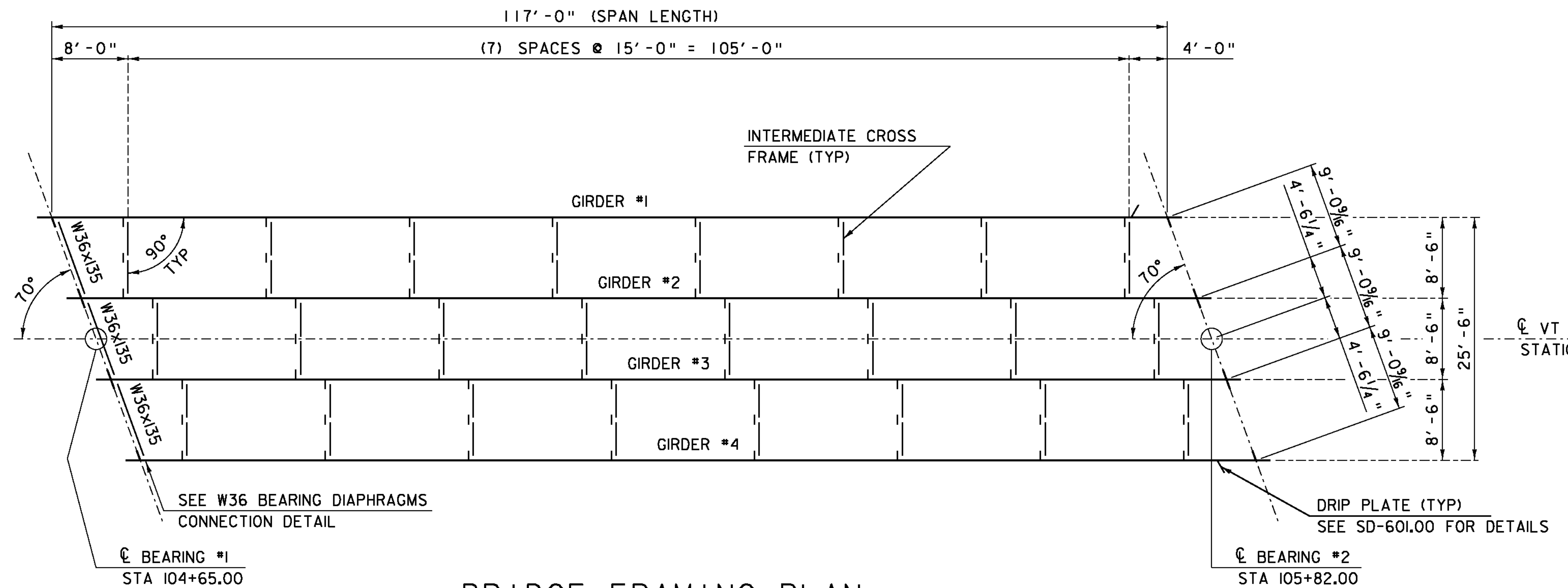
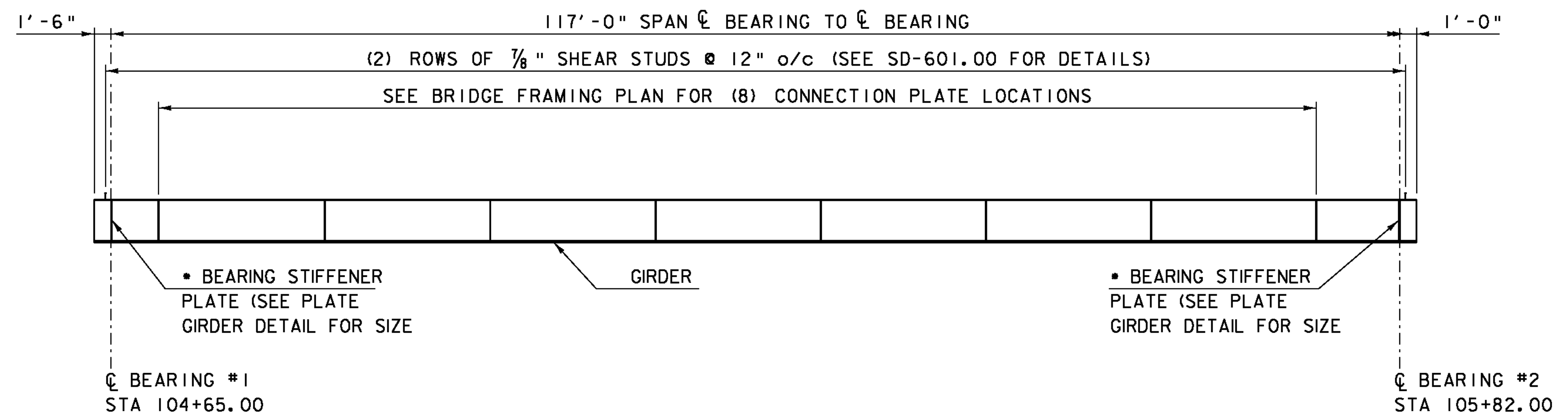


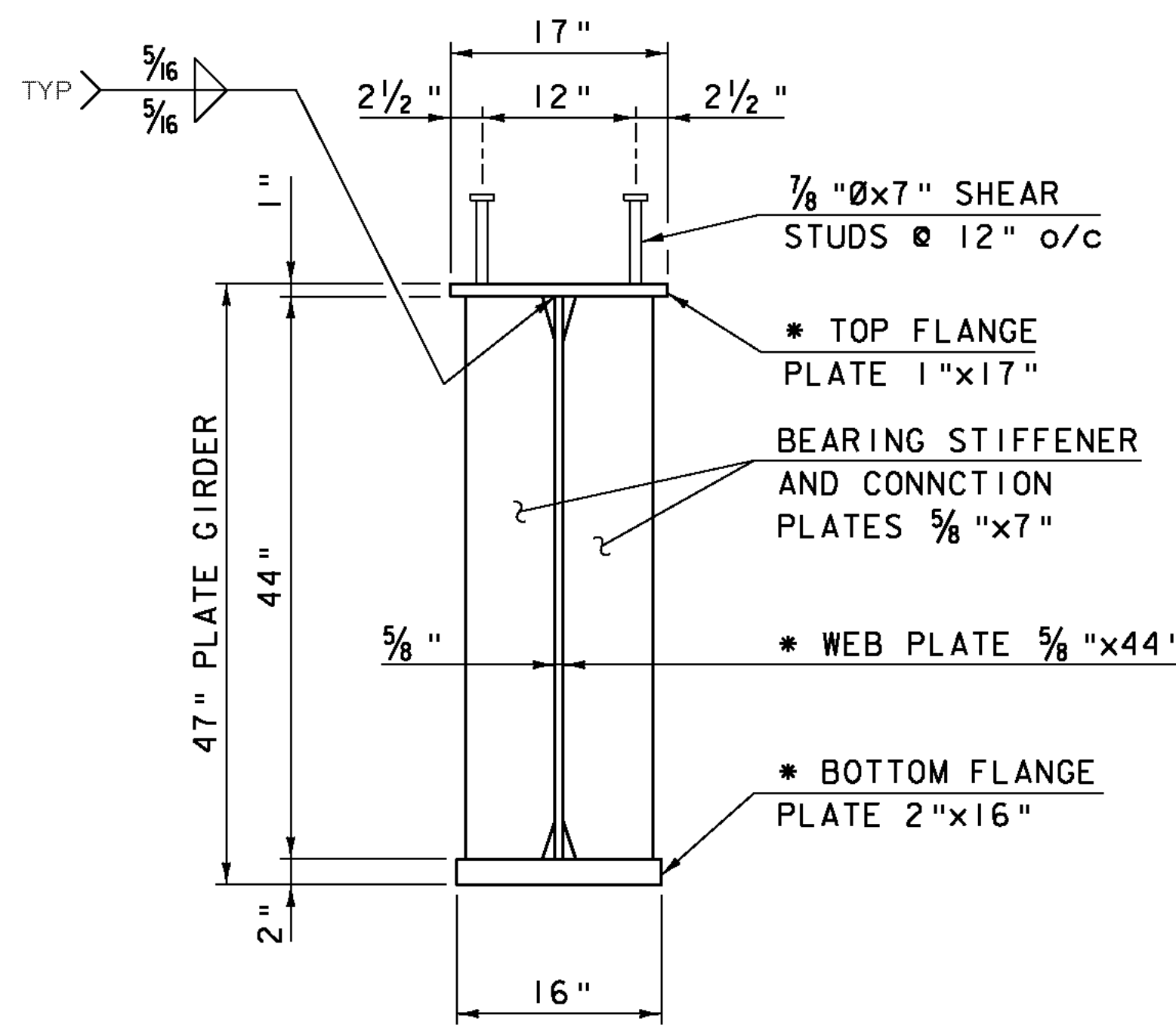
**W36 BEARING
DIAPHRAGMS CONNECTION DETAIL**
SCALE 1" = 1'-0"



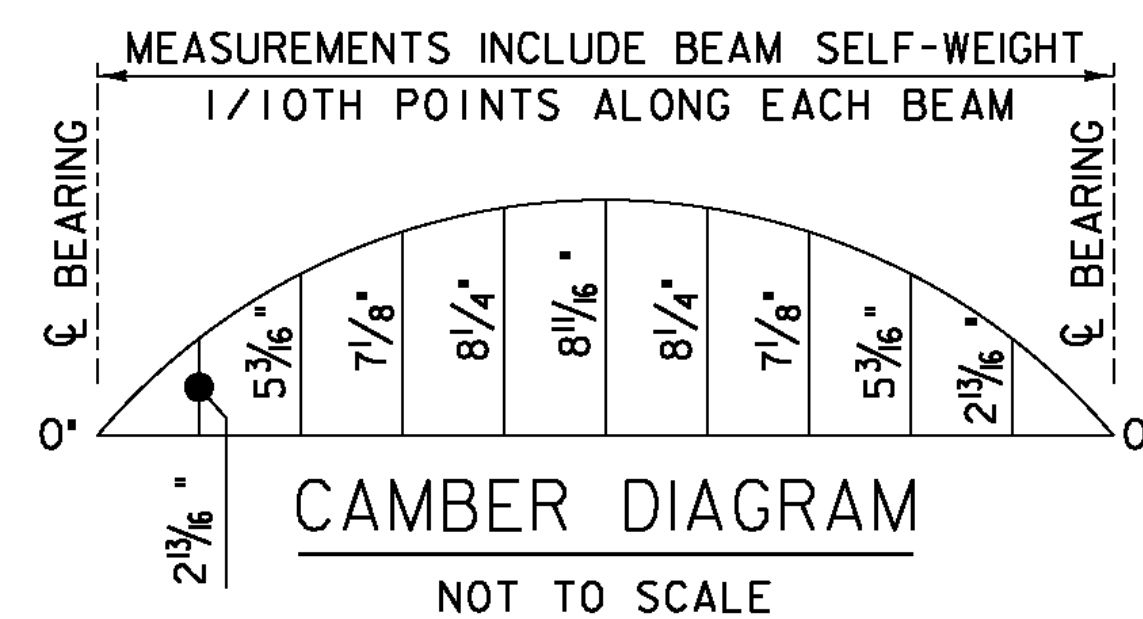
BRIDGE FRAMING PLAN
SCALE 1/8" = 1'-0"



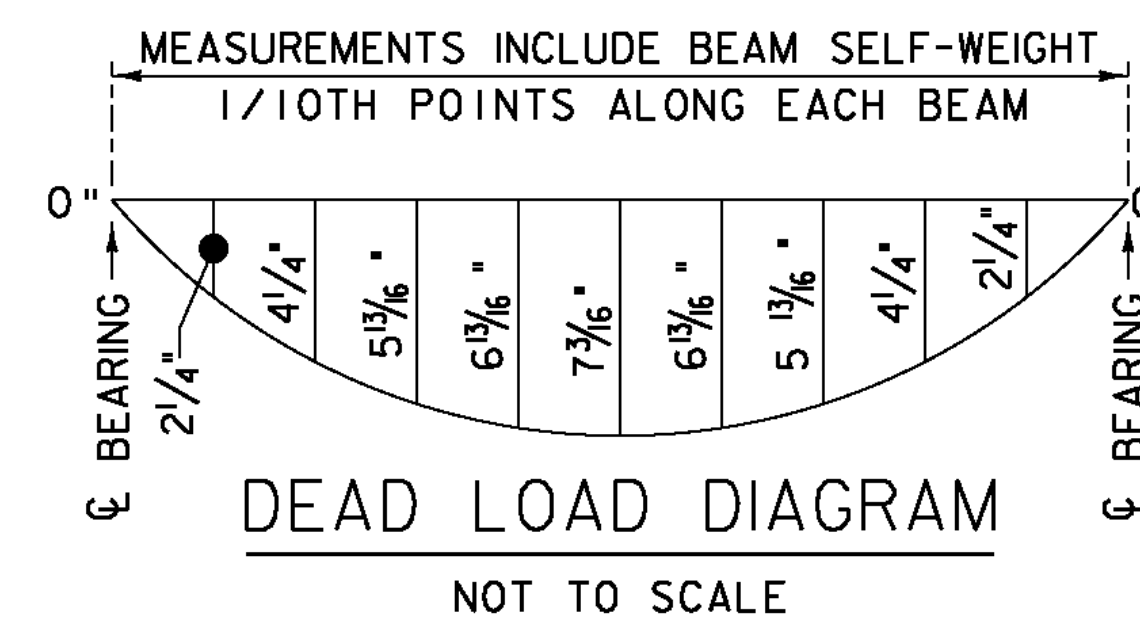
47" PLATE GIRDER ELEVATION
SCALE 1/8" = 1'-0"
• DENOTES CHARPY V-NOTCH TEST REQUIRED



SEE SD-602.00 FOR WELDING DETAILS
47" PLATE GIRDER DETAIL
SCALE 1" = 1'-0"
• DENOTES CHARPY V-NOTCH TEST REQUIRED



CAMBER DIAGRAM
NOT TO SCALE



DEAD LOAD DIAGRAM
NOT TO SCALE

PROJECT NAME: BETHEL
PROJECT NUMBER: BHF 0241(30)
FILE NAME: s95c002sup.dgn
PROJECT LEADER: M. EVANS-MONGEON
DESIGNED BY: U. STANLEY
DECK FRAMING PLAN & DETAILS
PLOT DATE: 31-AUG-2011
DRAWN BY: M. LONGSTREET
CHECKED BY: U. STANLEY
SHEET 44 OF 64