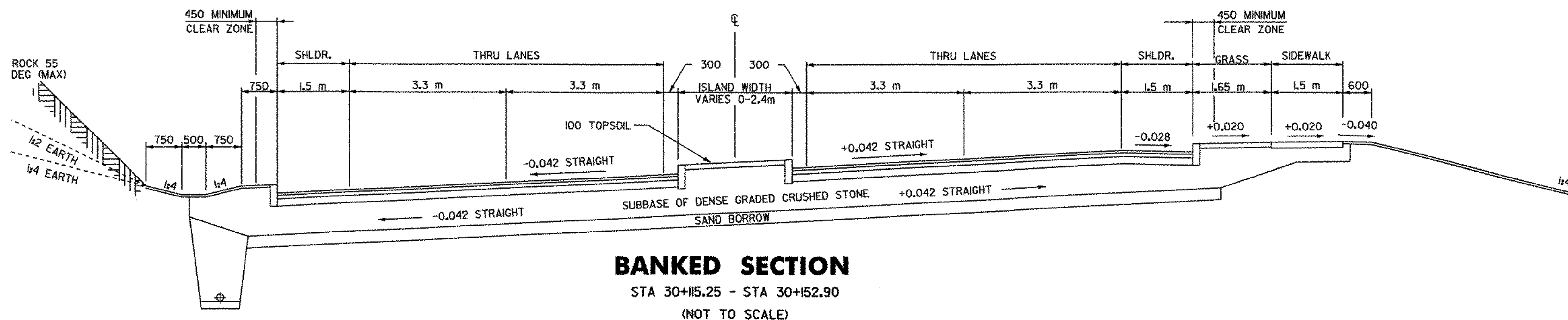
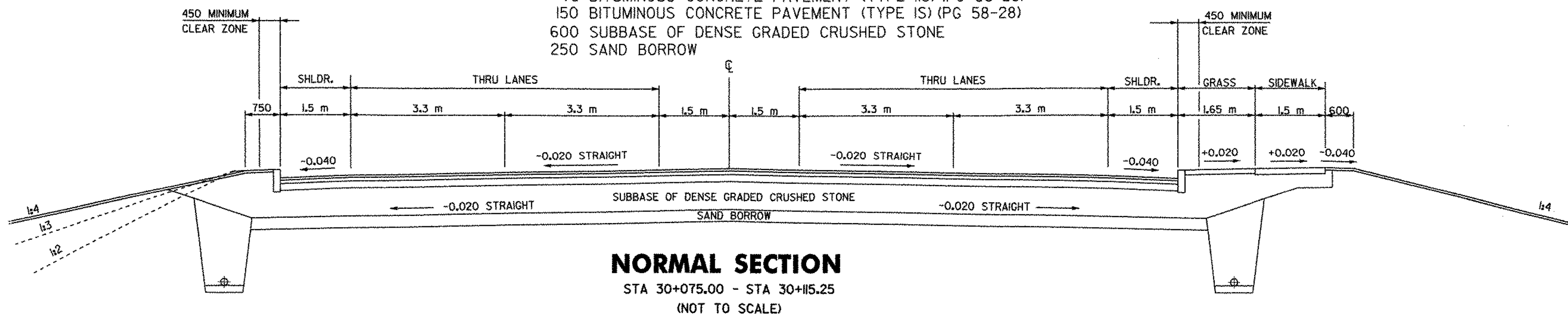


# TYPICAL ROADWAY SECTIONS

MATERIAL ITEM	THICKNESS TOLERANCE
PAVEMENT (TOTAL DEPTH ALL LAYERS)	+/- 5
SUBBASE	+/- 30
SAND BORROW	+/- 30

50 BITUMINOUS CONCRETE PAVEMENT (TYPE IIS) (PG 58-28)  
 75 BITUMINOUS CONCRETE PAVEMENT (TYPE IIS) (PG 58-28)  
 150 BITUMINOUS CONCRETE PAVEMENT (TYPE IS) (PG 58-28)  
 600 SUBBASE OF DENSE GRADED CRUSHED STONE  
 250 SAND BORROW

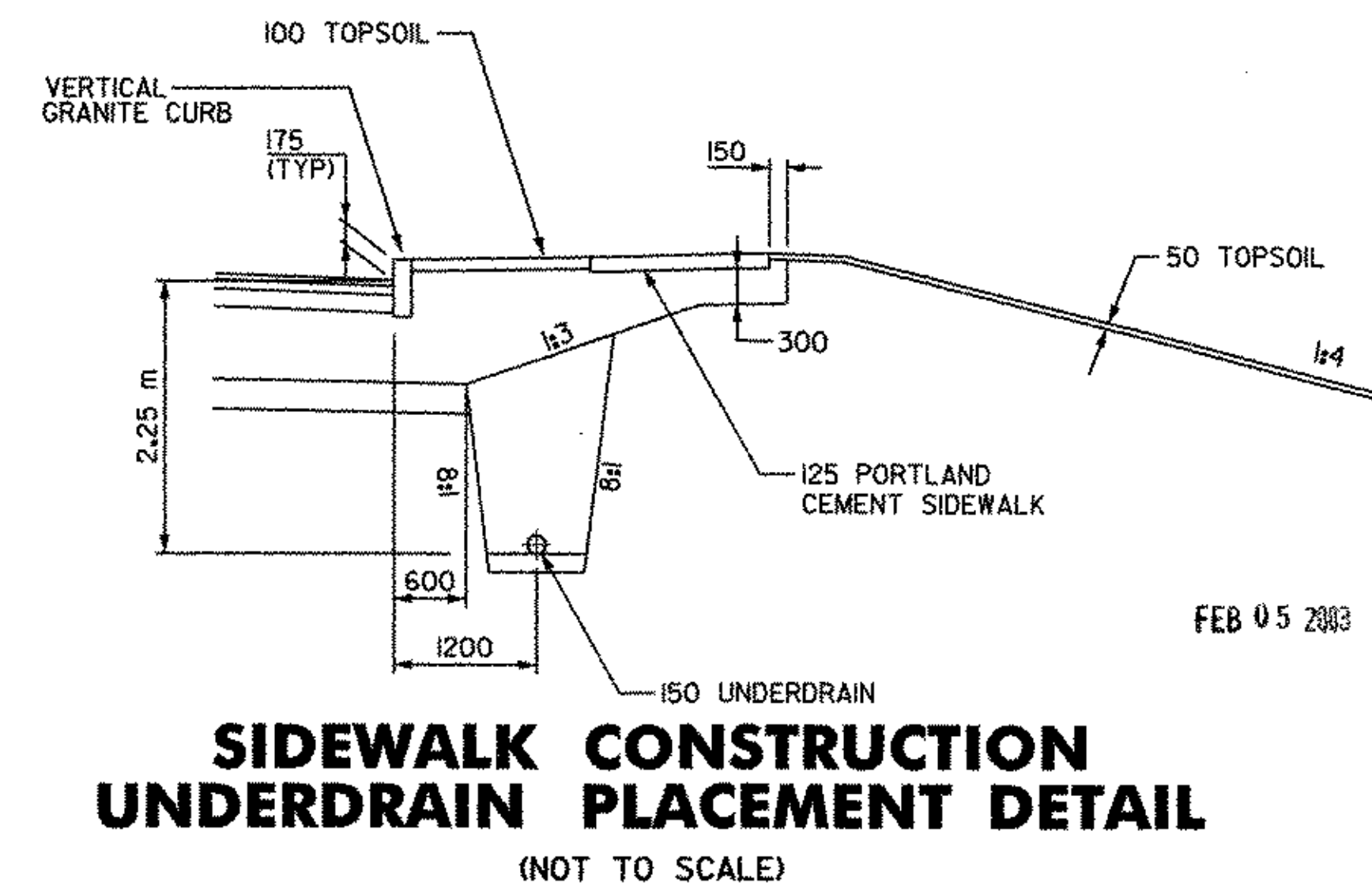
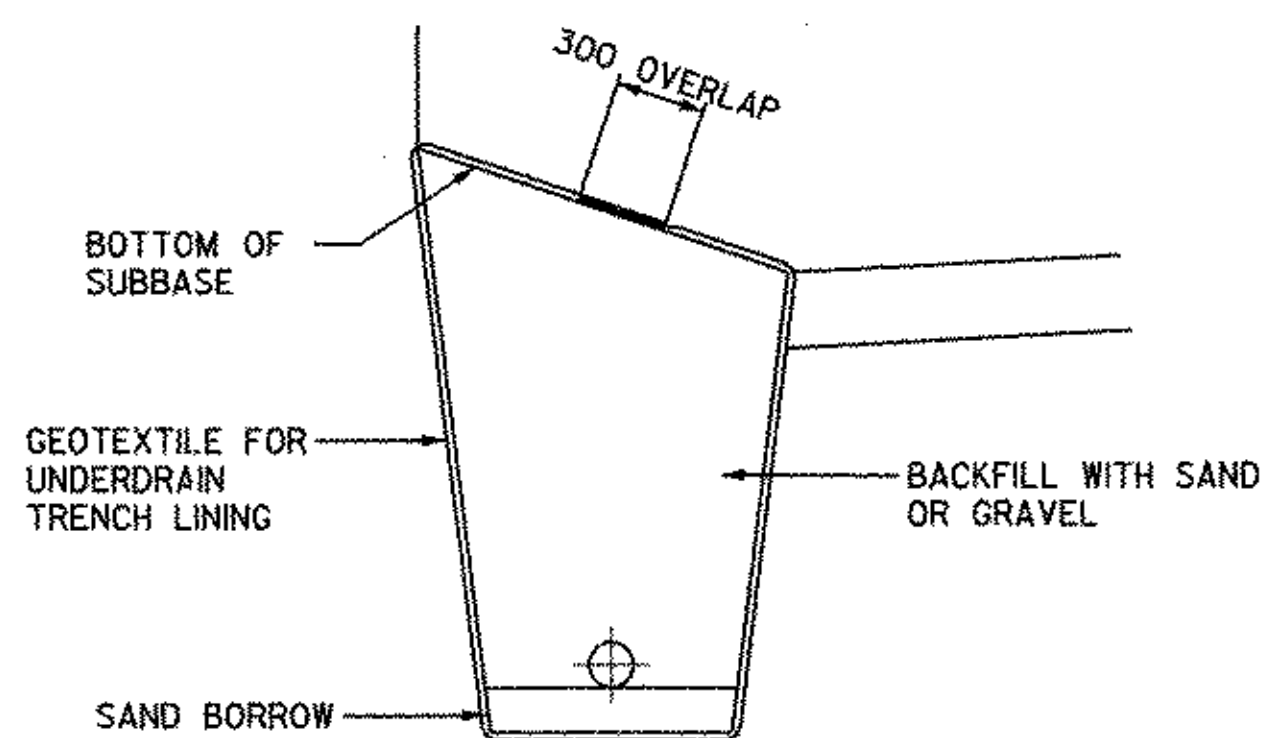


### SEEDING FORMULA URBAN AREAS

% MASS	kg/ha	NAME	PUR %	GERM %
42.5	38.0	CREeping RED FESCUE	98	85
10.0	9.0	PERENNIAL RYE GRASS	95	90
42.5	38.0	KENTUCKY BLUE GRASS	85	85
5.0	5.0	ANNUAL RYE GRASS	95	85
100.0	90.0			

### GENERAL NOTES

- SEED MIXTURE: SHALL NOT HAVE A WEED CONTENT EXCEEDING 0.40% BY MASS AND SHALL BE FREE OF ALL NOXIOUS SEED.
- SEED: TO BE APPLIED PER SEEDING FORMULAS OR AS DIRECTED BY THE ENGINEER.
- FERTILIZER: FORMULA 10-20-10, TO BE USED WITH SEED, APPLIED AT THE RATE OF 560 kg/ha. (HYDRO SEEDERS MAY USE 19-19-19 FORMULA).
- AGRICULTURAL LIMESTONE: TO BE APPLIED AT THE RATE OF 4500 kg/ha, OR AS DIRECTED BY THE ENGINEER.
- HAY MULCH: TO BE PLACED ON EARTH SLOPES AT THE RATE OF 4500 kg/ha, OR AS DIRECTED BY THE ENGINEER.
- TOPSOIL: TO BE USED WITH SEED AS INDICATED ON THE PLANS, OR AS DIRECTED BY THE ENGINEER.
- MARKER POSTS: TO BE PLACED AS INDICATED OR AS DIRECTED BY THE ENGINEER.
- SLOPE ROUNDING: ALL CUT SLOPES TO BE ROUNDED IN ACCORDANCE WITH STD SHEET B-5M. SLOPE LINES SHOWN ON THE PLANS AND CROSS SECTIONS DO NOT SHOW THE SLOPE ROUNDING.
- PAY LIMITS OF SAND BORROW: WHEN USED IN CONJUNCTION WITH UNDERDRAIN - SEE STANDARD SHEET D-2M.
- TACK COAT: EMULSIFIED ASPHALT IS TO BE APPLIED AT THE RATE OF 0.07 L/m<sup>2</sup> BETWEEN SUCCESSIVE COURSES OF PAVEMENT AS DIRECTED BY THE ENGINEER.



NOTE: UNLESS OTHERWISE NOTED IN THESE PLANS, ALL ELEVATIONS ARE IN METERS AND ALL DIMENSIONS ARE IN MILLIMETERS

DATUM	
VERTICAL	NGVD 1929
HORIZONTAL	NAD 1983

PROJECT:	BRATTLEBORO	PROJECT NO.:	NH BRF 012-1(33)
DESIGN FILE NAME:	95b270\structures\sb270typ.dgn	PLOT DATE:	09-MAR-2001
IPARM FILE NAME:	sb270typ.l	SURVEY DATE:	
SURVEYED BY:		DRAWN BY:	P SHEDD
SQUAD LEADER:	W HUSBAND		
R.O.W. SHEET 2 OF 27 SHEETS			