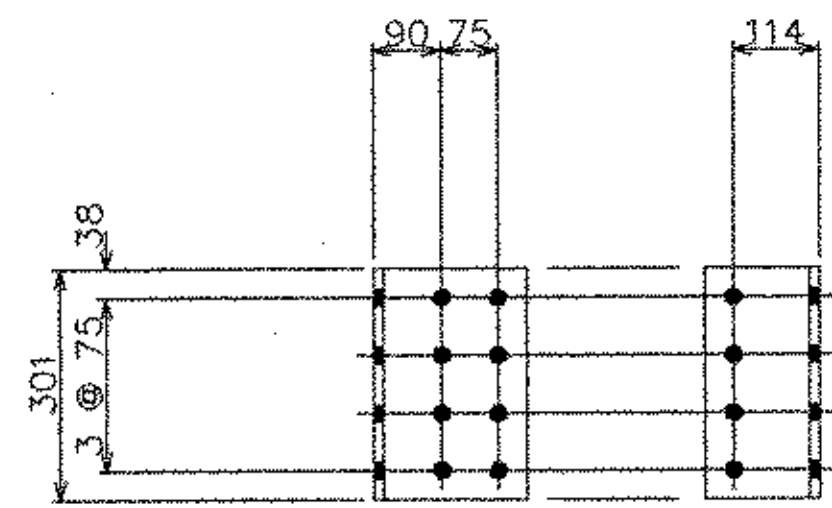
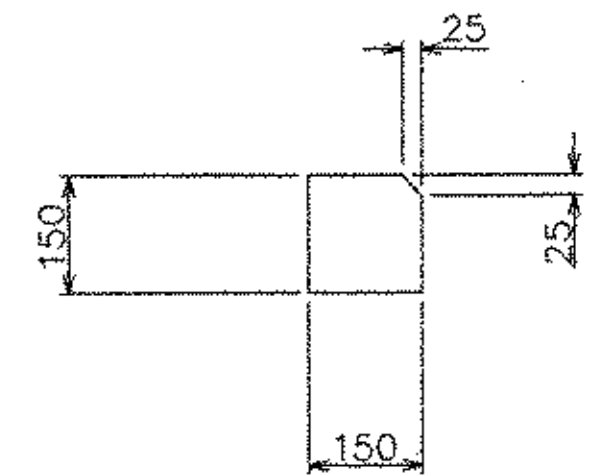


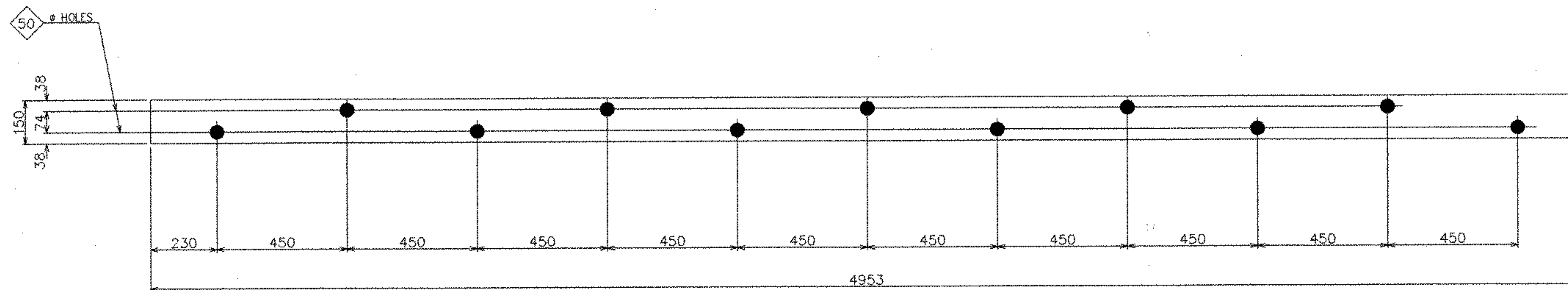
ITEM m1aa (320 REQ'D)
SCALE 1:10 (L127x127x12.7 x 301)



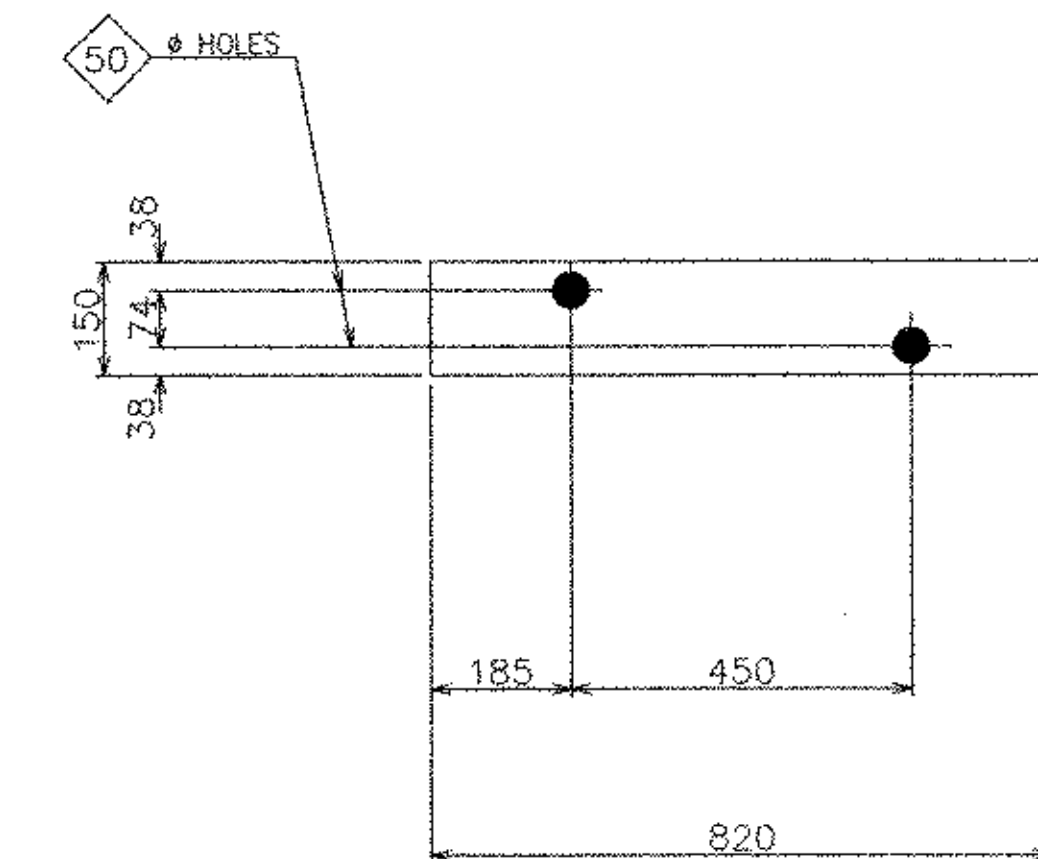
ITEM m1ab (156 REQ'D)
SCALE 1:10 (L203x152x12.7 x 301)



ITEM m1pg (160 REQ'D)
SCALE 1:10 (PL14x150 x 150)



ITEM m1pb (2 REQ'D)
SCALE 1:10 (PL20x150 x 4953)



ITEM m1pc (4 REQ'D)
SCALE 1:10 (PL20x150 x 820)

NOTES:
ALL HOLES 24mm (U.N.O.)

STEEL-ART, INCORPORATED
40 WEST MAIN STREET
GALETON, PA 16922
(814) 435-6997



EASTERN BRIDGE LLC
RURAL FIE 2, BOX 302
CLAREMONT, NH 03743
808-242-5202

REVISIONS		STATE OF VERMONT AGENCY OF TRANSPORTATION	
NO.	DATE	DESCRIPTION	
	8/4/03	APPROVAL	
		CONTRACT :	PIN :
		PROPOSED IMPROVEMENT TO RR BRIDGE #62.56 OVER VT ROUTE 9 (PRINCIPAL ARTERIAL) WINDHAM COUNTY, TOWN OF BRATTLEBORO	
		TITLE :	
		MISC. PLATES	
		DRAWN BY TJS	SHOP ORDER
		3/17/03	4015
		CRD BY RGY	BLGCK NO.
		4/09/03	
		DWG. NO.	M1
		SHEET NO.	20 / 20