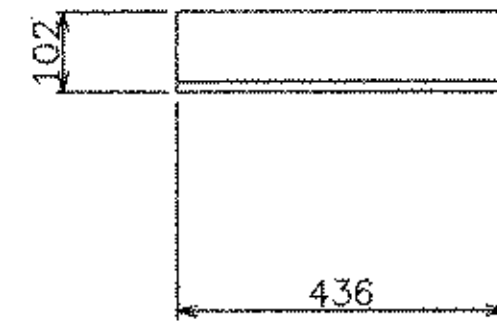
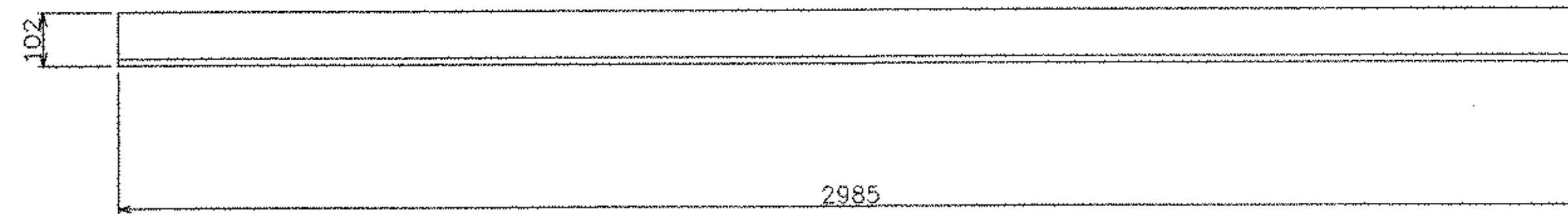


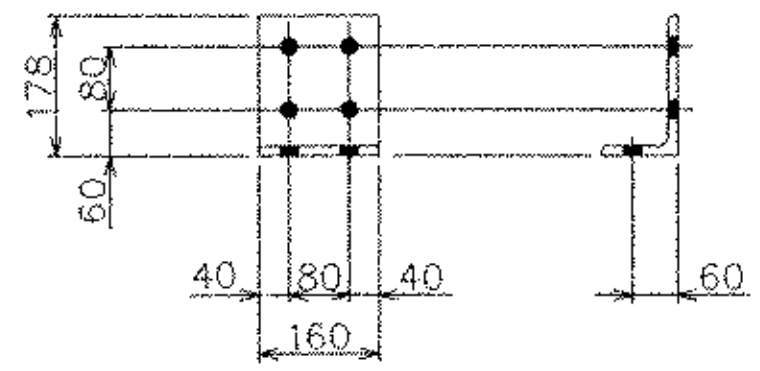
ITEM x2ab (4 REQ'D)
SCALE 1:10 (L102x76x12.7 x 1491)



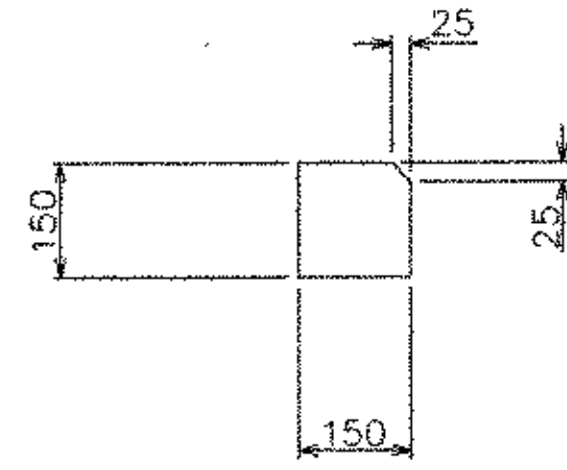
ITEM x2aa (4 REQ'D)
SCALE 1:10 (L102x76x12.7 x 436)



ITEM x2ac (18 REQ'D)
SCALE 1:10 (L102x76x12.7 x 2985)



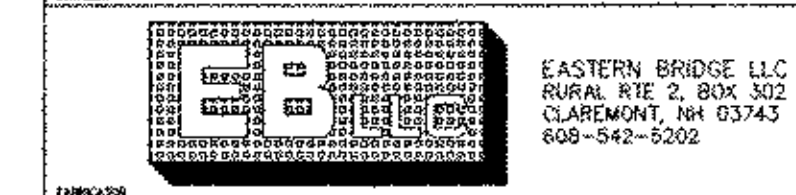
ITEM x2ad (12 REQ'D)
SCALE 1:10 (L178x102 x 12.7)



ITEM x2pa (160 REQ'D)
SCALE 1:10 (PL14x150 x 150)

NOTES:
ALL HOLES 24mm (U.N.O)

STEEL-ART, INCORPORATED
40 WEST MAIN STREET
GALETON, PA 16922
(814) 435-6997



REVISIONS			STATE OF VERMONT AGENCY OF TRANSPORTATION		
NO.	DATE	DESCRIPTION	CONTRACT :	PIN :	
1	8/9/03	APPROVAL	PROPOSED IMPROVEMENT TO RR BRIDGE #62.56 OVER VT ROUTE 9 (PRINCIPAL ARTERIAL) WINDHAM COUNTY, TOWN OF BRATTLEBORO		
			TITLE :		
			GIRDER FITTINGS		
DRAWN BY TJS		SHOP ORDER	DWG. NO.		
3/19/03		4015	X2		
CKD BY RGY		BLOCK NO.	SHEET NO.		
4/9/03			19 / 20		