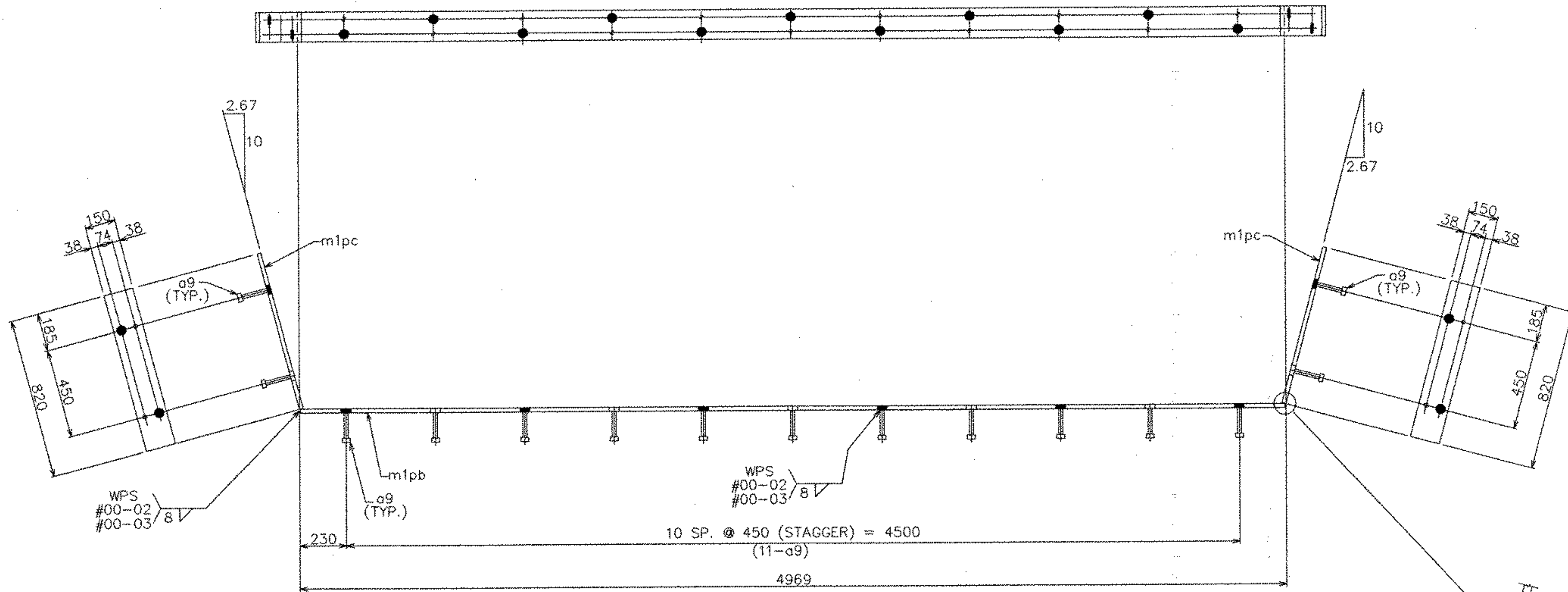
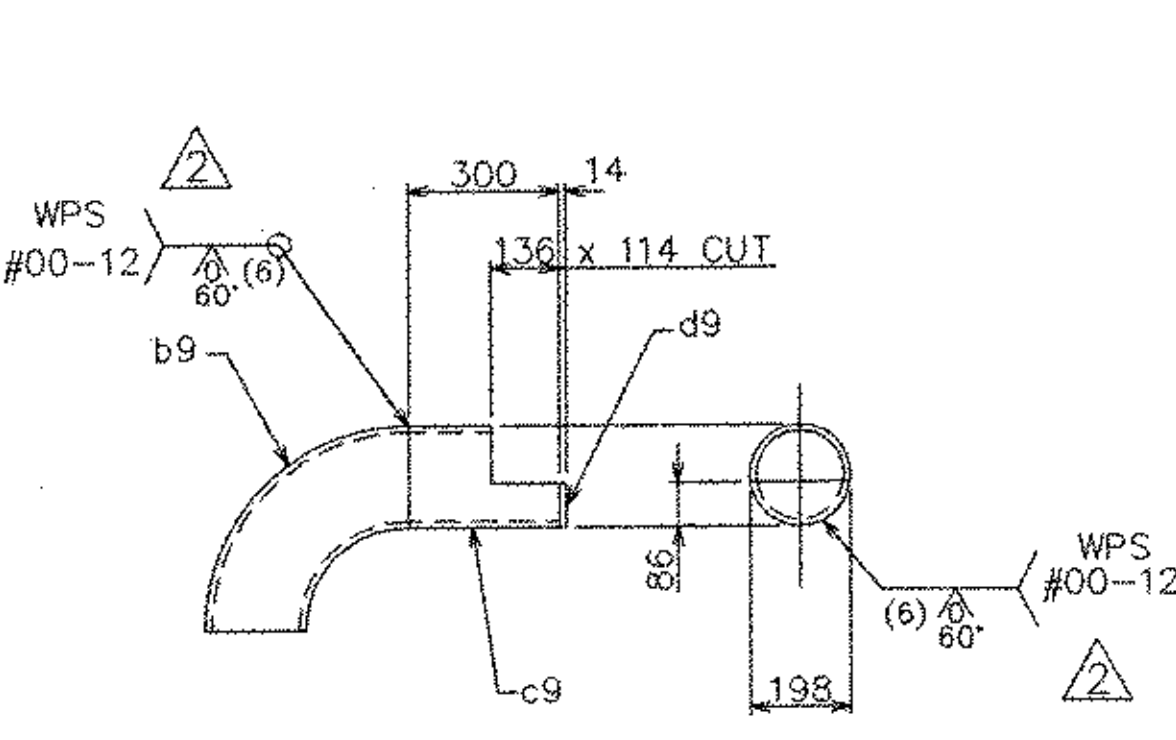


Dwg No.	Rev.	Ship Mark	Piece Mark	Qty	Type	Size of Material	Grade	Length	Finish	Wgt./Lbs.	Notes	ASM	
9	9MS1			2	ASSY.					765			
				m1pb	2	PL	20x150	M270M-345W	4953		540		2-P
				m1pc	4	PL	20x150	M270M-345W	820		180		2-Q
		a9	30	HEADED ANCH	20ø			150		45		2-R	
9	9MS2			1	ASSY.					78			
				b9	1	PIPE	200ø SCH. 40	A53 GR B	90° ELBOW	GALV.	46		2-S
				c9	1	PIPE	200ø SCH. 40	A53 GR B	300	GALV.	28		2-T
				d9	1	PL	14x86	M270M-345W	198	GALV.	4		2-U
9	9MS3			1	ASSY.					375			
				f9	1	1/2 PIPE	200ø SCH. 80	A53 GR B	347	GALV.	10		2-V
				g9	1	PLATE	14x200	M270M-345W	200	GALV.	37		2-W
				k9	1	1/2 PIPE	200ø SCH. 80	A53 GR B	STRAIGHT REE	GALV.	294		2-X
				m9	1	1/2 PIPE	200ø SCH. 80	A53 GR B	4128	GALV.	34	PERF.	2-Y
		n9	1	1/2 PIPE	200ø SCH. 80	A53 GR B	90° ELBOW	GALV.			2-Z		

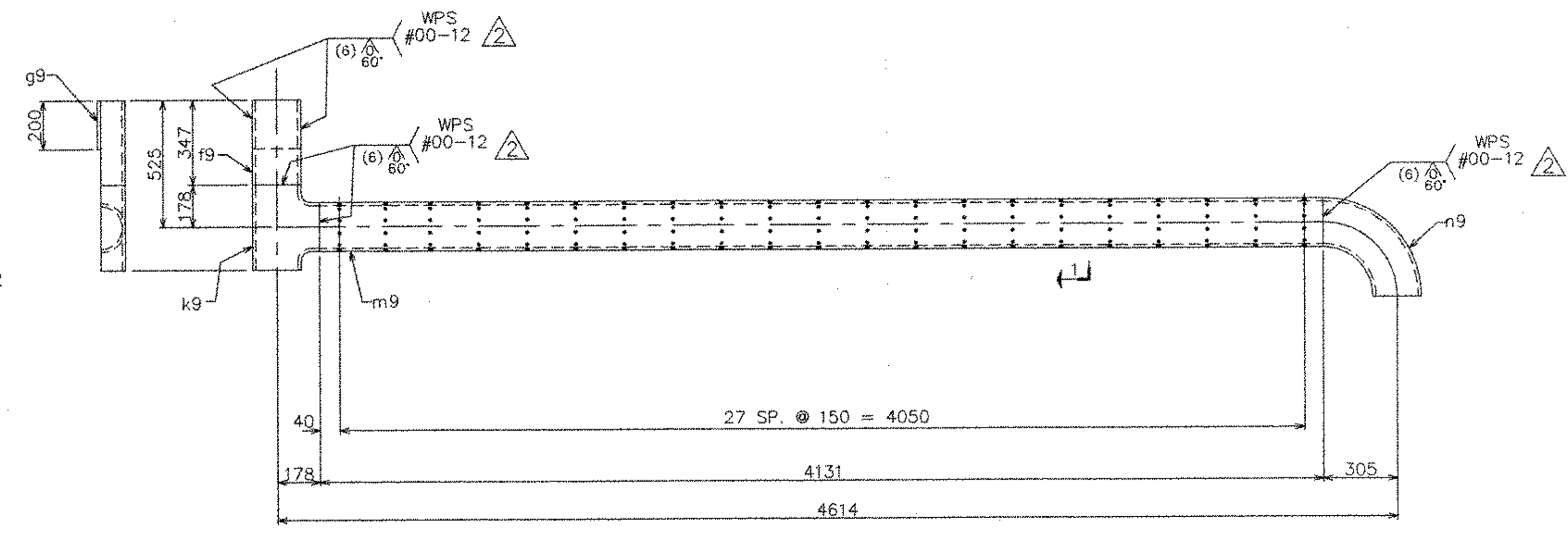
NOTES:
 1 - GENERAL NOTES: SEE DRAWING GN1
 2 - HOLES: 50mm (U.N.O.)



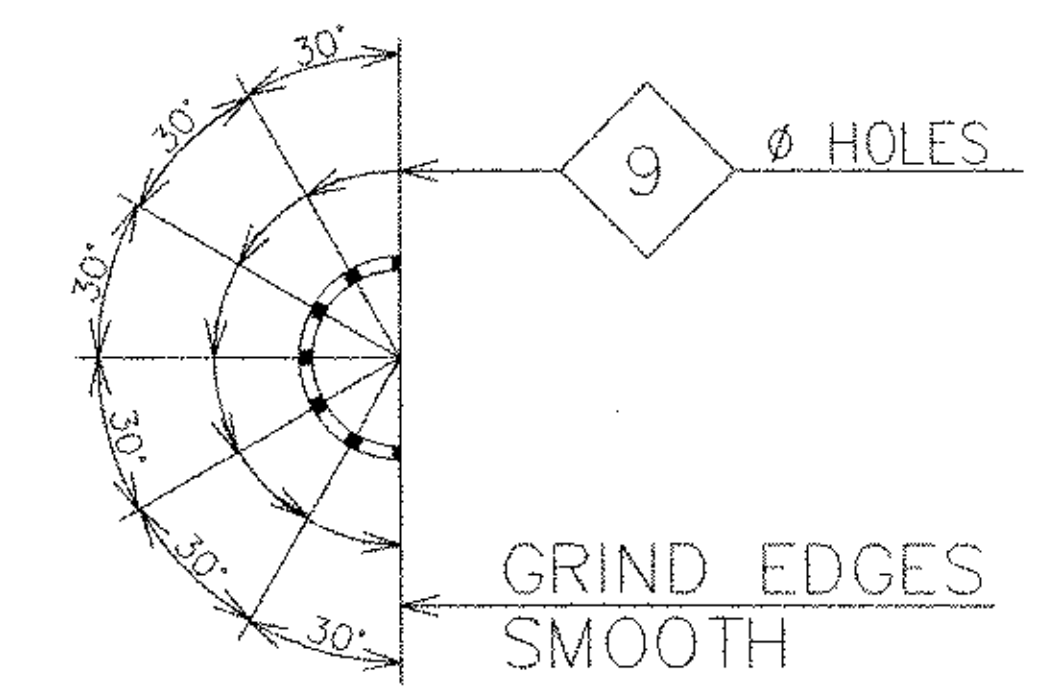
ITEM 9MS1 (2 REQ'D)
 SCALE 1:15



ITEM 9MS2 (1 REQ'D)
 SCALE 1:15



ITEM 9MS3 (1 REQ'D)
 SCALE 1:15



SECTION "1"

STEEL-ART, INCORPORATED
 40 WEST MAIN STREET
 GALETON, PA 16922
 (814) 435-6997



EASTERN BRIDGE LLC
 RURAL RTE 2 BOX 302
 CLAREMONT, NH 03743
 608-542-5202

REVISIONS			STATE OF VERMONT AGENCY OF TRANSPORTATION		
NO.	DATE	DESCRIPTION	CONTRACT	PIN:	
1	5/14/03	PER APPROVAL	PROPOSED IMPROVEMENT TO RR BRIDGE #62.56 OVER VT ROUTE 9 (PRINCIPAL ARTERIAL) WINDHAM COUNTY, TOWN OF BRATTLEBORO		
2	6/24/03	PER APPROVAL			
3	8/14/03	Approval			
TITLE: MISC. DETAILS			DRAWN BY TJS SHOP ORDER DWG. NO.		
			3/25/03 4015 9		
			CRD BY RJS BLOCK NO. SHEET NO.		
			4/16/03 15 / 20		