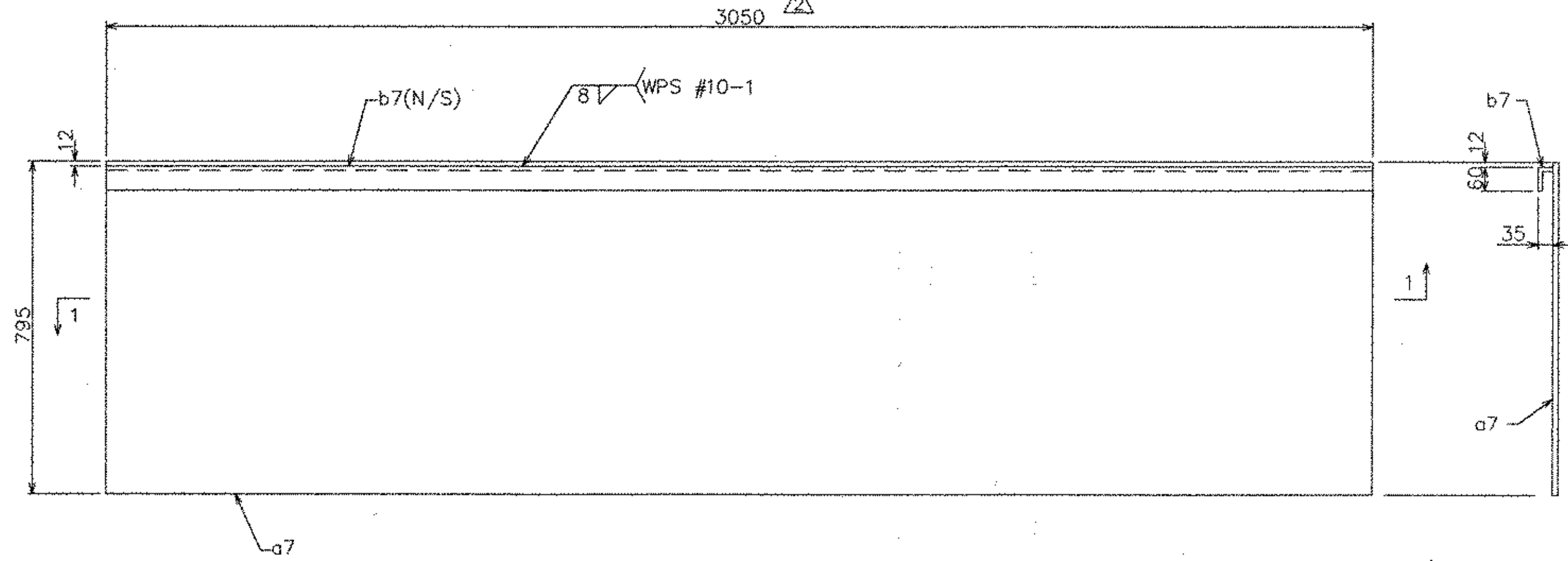
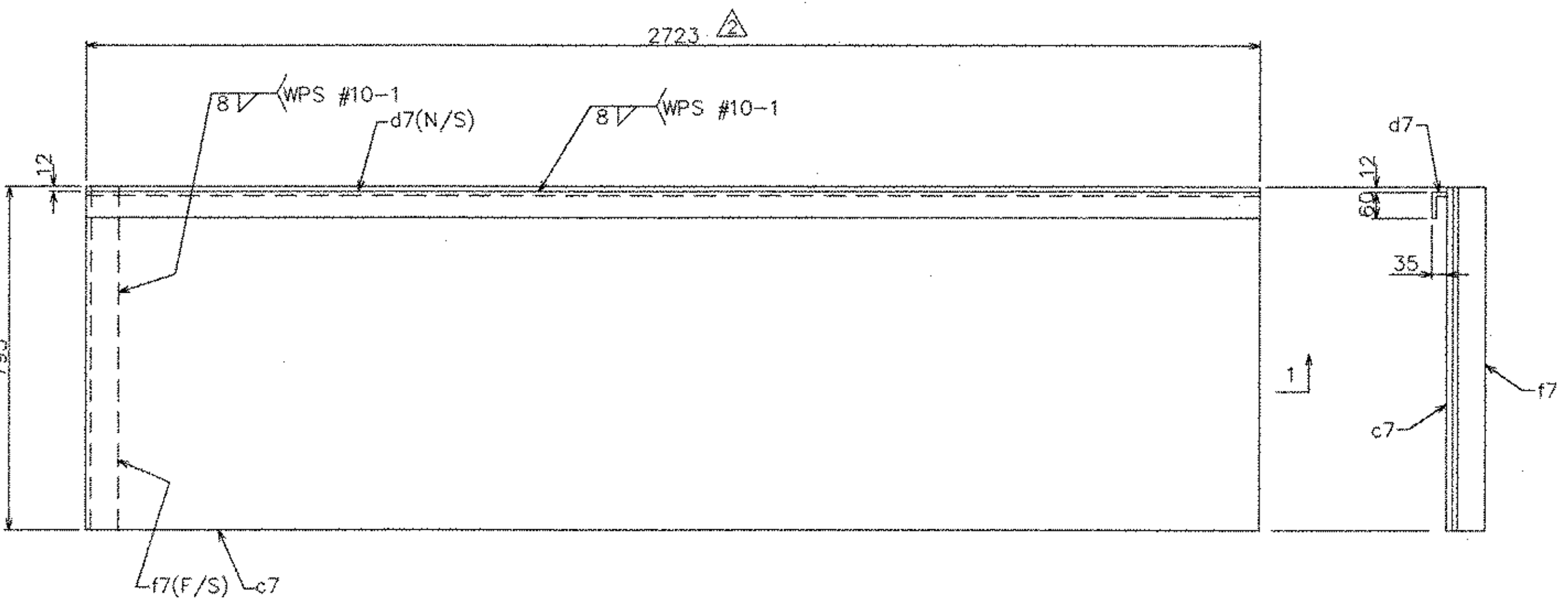


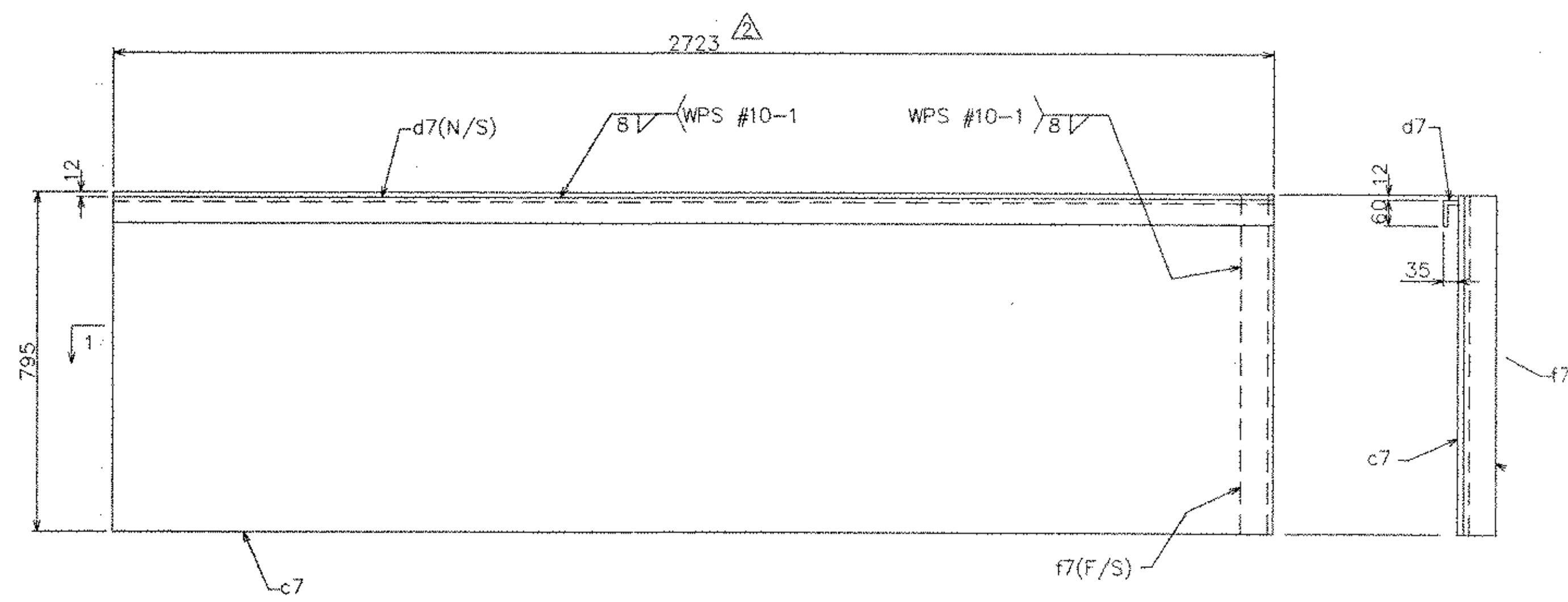
ITEM 7MS1 (8 REQ'D)
SCALE 1:10



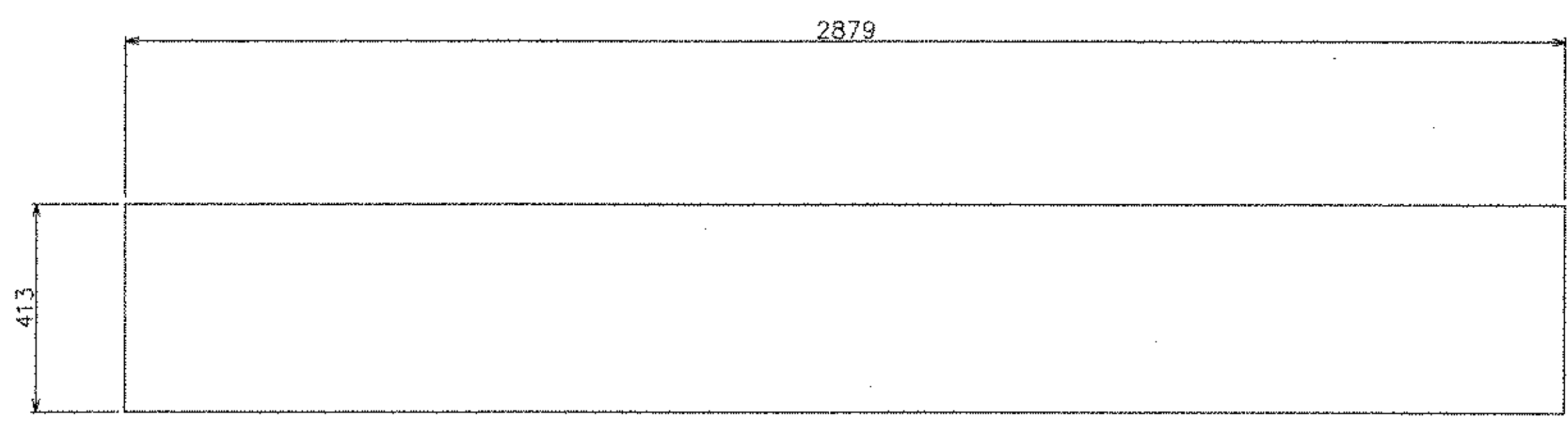
ITEM 7MS2 (18 REQ'D)
SCALE 1:10



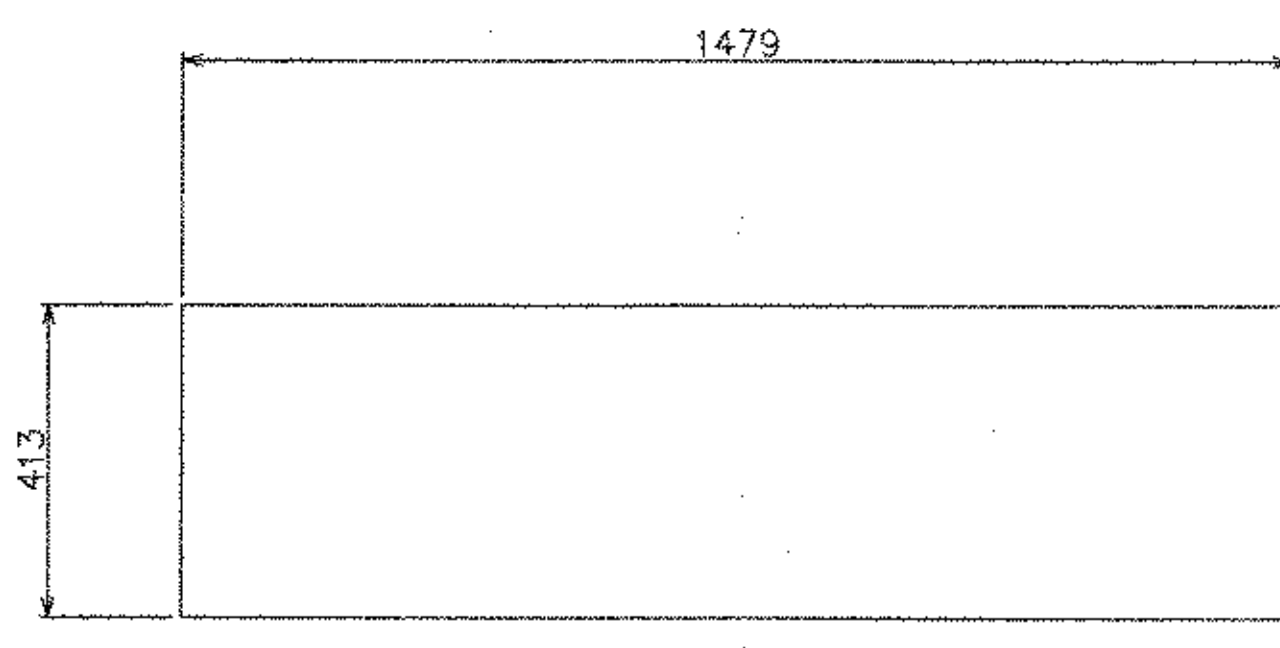
ITEM 7MS3 (2 REQ'D)
SCALE 1:10



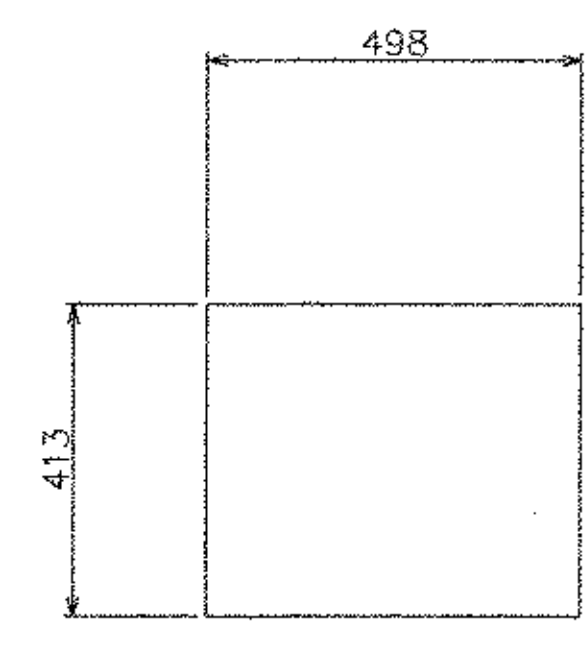
ITEM 7MS4 (2 REQ'D)
SCALE 1:10



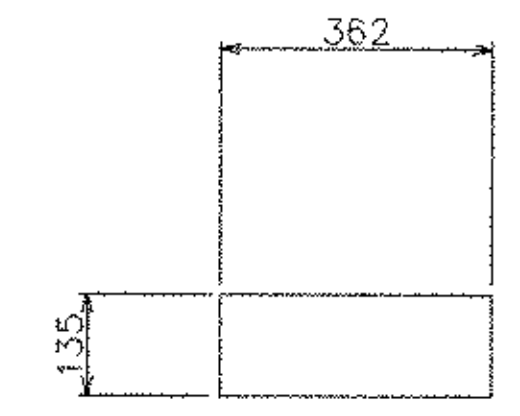
ITEM 7MS5 (18 REQ'D)
SCALE 1:10



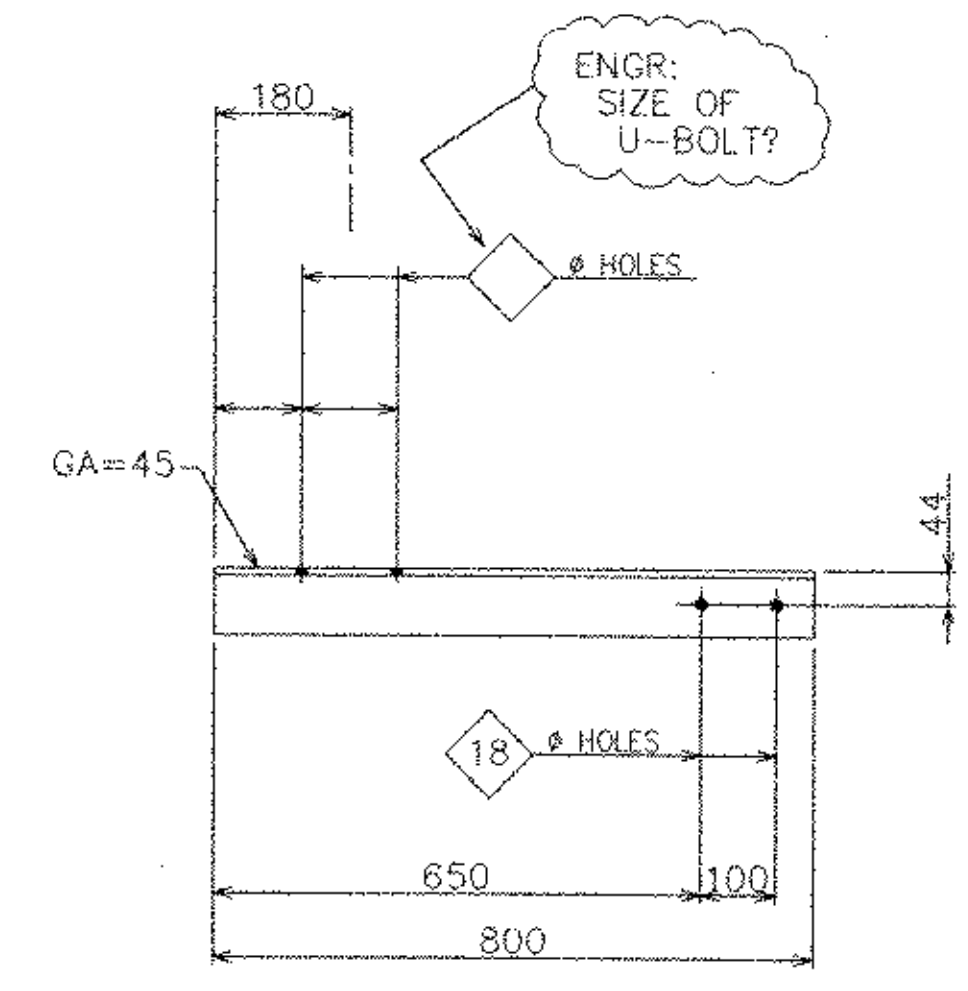
ITEM 7MS6 (4 REQ'D)
SCALE 1:10



ITEM 7MS7 (4 REQ'D)
SCALE 1:10



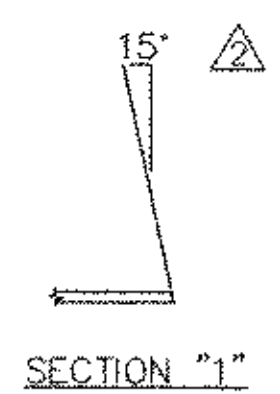
ITEM 7MS8 (40 REQ'D)
SCALE 1:10



ITEM 7MS9 (10 REQ'D)
SCALE 1:10

Dwg No.	Rev.	Ship Mark	Piece Mark	Qty	Type	Size of Material	Grade	Length	Finish	Wgt./Lbs	Notes	ABM
7		7MS1		8	L	203x203x15.9	M270M-345W	526		451		2-A
7		7MS2		18	ASSY.					11255		
			a7	18	PL	14x795	M270M-345W	3050		10821		2-B
			b7	18	PL	10x85	M270M-345W	3050		434	BENT	2-C
7		7MS3		2	ASSY.					1200		
			c7	2	PL	14x795	M270M-345W	2723		1074		2-D
			d7	2	PL	10x85	M270M-345W	2723		77	BENT	2-E
			f7	2	L	76x76x12.5	M270M-345W	795		49		2-F
7		7MS4		2	ASSY.					1200		
			c7	2	PL	14x795	M270M-345W	2723		1074		2-D
			d7	2	PL	10x85	M270M-345W	2723		77	BENT	2-E
			f7	2	L	76x76x12.5	M270M-345W	795		49		2-F
7		7MS5		18	PL	14x413	M270M-345W	2879		5296		2-G
7		7MS6		4	PL	14x413	M270M-345W	1479		604		2-H
7		7MS7		4	PL	14x413	M270M-345W	498		203		2-I
7		7MS8		40	PL	10x135	M270M-345W	362		322		2-J
7		7MS9		10	L	89x89x9.5	M270M-345W	800		223		2-K

NOTES:
1 - GENERAL NOTES: SEE DRAWING GN1
2 - HOLES: 24ø (U.N.O.)



STEEL-ART, INCORPORATED
40 WEST MAIN STREET
GALETON, PA 16922
(814) 435-6997

EASTERN BRIDGE LLC
RURAL RTE 2, BOX 302
CLAREMONT, NH 03743
608-542-5202

REVISIONS			STATE OF VERMONT AGENCY OF TRANSPORTATION	
NO.	DATE	DESCRIPTION	CONTRACT :	PIN :
1	5/14/03	PER APPROVAL		
2	6/24/03	PER APPROVAL		
3	8/14/03	Approval		

PROPOSED IMPROVEMENT TO RR BRIDGE #62.56
OVER VT ROUTE 9 (PRINCIPAL ARTERIAL)
WINDHAM COUNTY, TOWN OF BRATTLEBORO

TITLE : MISC. DETAILS

DRAWN BY : TJS SHOP ORDER : 4015 DWG. NO. : 7
3/25/03

CRD BY : RGY BLOCK NO. : SHEET NO. : 13 / 20
4/8/03