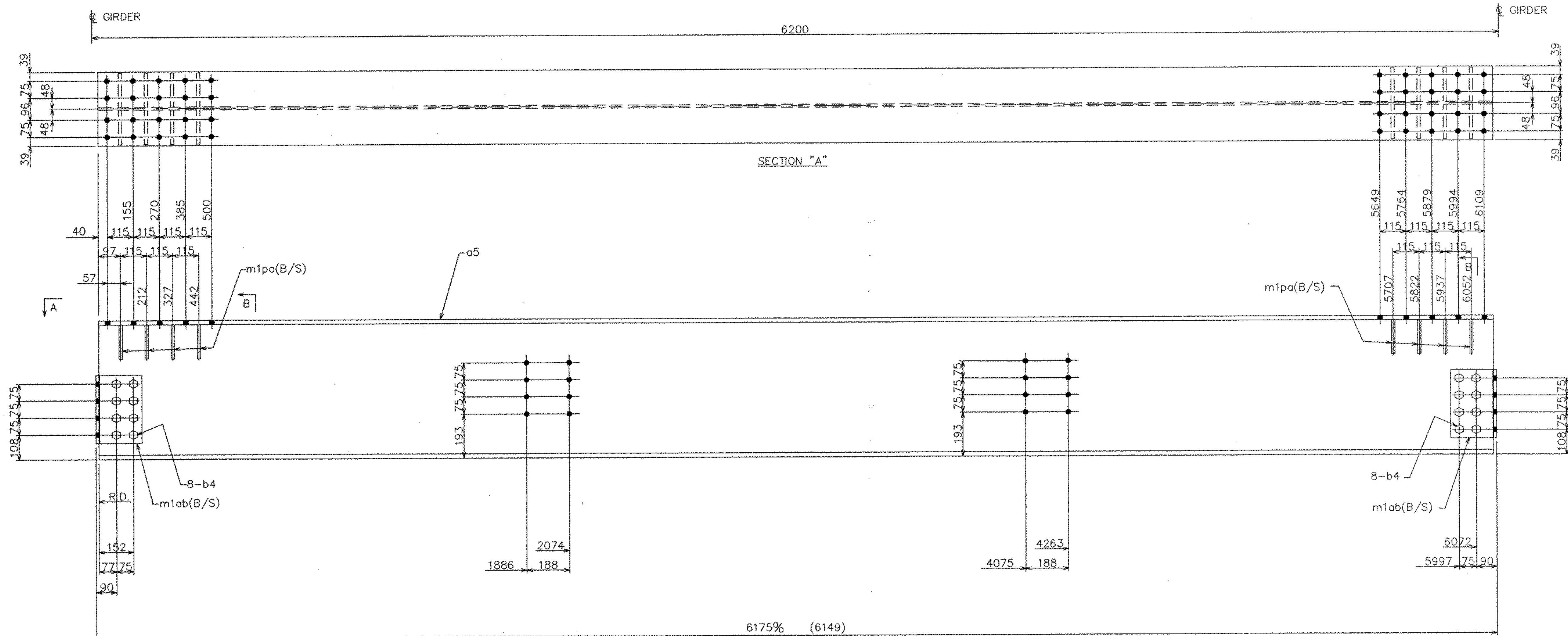
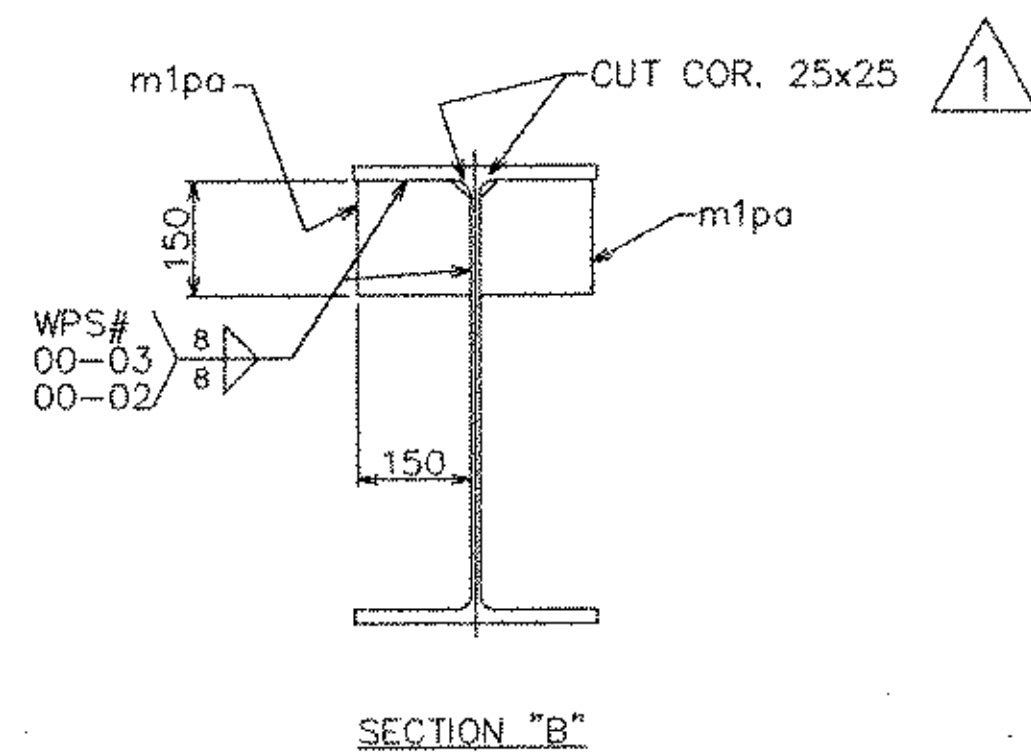


Dwg. No.	Rev.	Ship Mark	Piece Mark	Qty	Type	Size of Material	Grade	Length	Finish	Wgt./Lbs.	Notes	ABM
5		SFBA		10	FLOOR BEAM							
			a5	10	W	610x155	M270M-345W	6149		20981		1-W
			m1pa	160	PL	14x150	M270M-345W	150		885		1-Z
			m1ab	40	L	203x152x12.7	M270M-345W	301		908		1-X
			b4	160	H.S. BOLTS	22.2	A325 TYPE 3	76		107		1-Y
				160	HEX NUTS	22.2						1-P
				160	STD. WASH	22.2						1-Q

NOTES:
 1 - GENERAL NOTES: SEE DRAWING GN1
 2 - HOLES: 24Ø (U.N.O.)
 3 - SHOP BOLT - BOLT TO SHIP ONLY



ITEM 5FBA (10 REQ'D)
 SCALE 1:10



STEEL-ART, INCORPORATED
 40 WEST MAIN STREET
 GALETON, PA 16922
 (814) 435-6997

EASTERN BRIDGE LLC
 RURAL RTE 2, BOX 302
 CLAREMONT, NH 03743
 608-542-5202

REVISIONS			STATE OF VERMONT AGENCY OF TRANSPORTATION	
NO.	DATE	DESCRIPTION	CONTRACT	PIN
1	6/24/03	PER APPROVAL		
		<i>8/1/03 Approval</i>		

PROPOSED IMPROVEMENT TO RR BRIDGE #62.56
 OVER VT ROUTE 9 (PRINCIPAL ARTERIAL)
 WINDHAM COUNTY, TOWN OF BRATTLEBORO

TITLE: FLOOR BEAM

DRAWN BY TJS	SHOP ORDER 4015	DWG. NO. 5
CHK BY RCY	BLOCK NO.	SHEET NO. 11 / 20
4/8/03		

19455