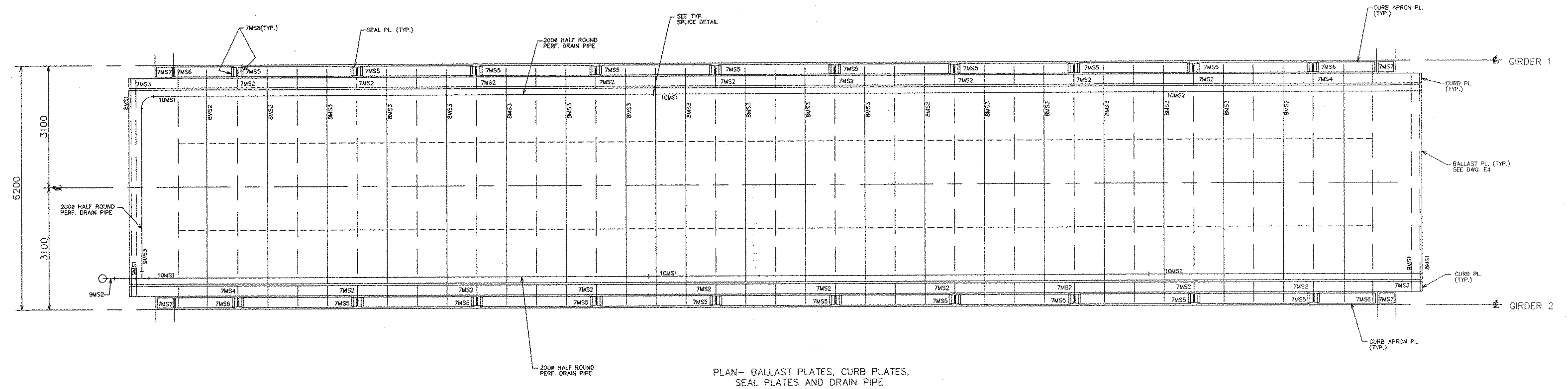
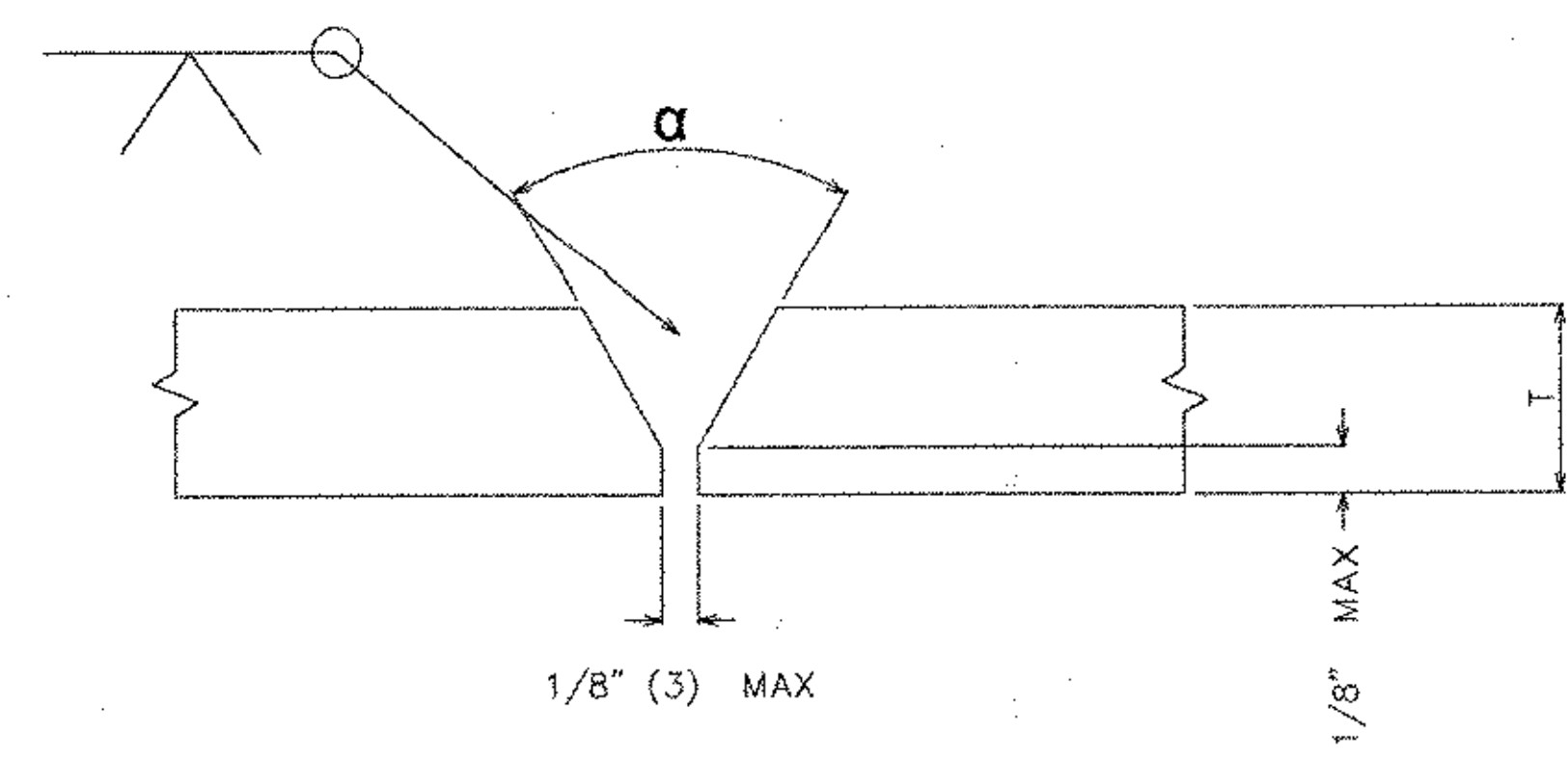


TYP. SPLICE @ DRAIN PIPE



PLAN - BALLAST PLATES, CURB PLATES, SEAL PLATES AND DRAIN PIPE

α = PRODUCTION GROOVE ANGLE
(60° RECOMMENDED)



STEEL-ART, INCORPORATED
40 WEST MAIN STREET
GALETON, PA 16922
(814) 435-6997

EASTERN BRIDGE LLC
RURAL RTE 2, BOX 302
CLAREMONT, NH 03743
606-542-5202

REVISIONS			STATE OF VERMONT AGENCY OF TRANSPORTATION		
NO.	DATE	DESCRIPTION	CONTRACT :	PIN :	
1	5/24/03	PER APPROVAL	PROPOSED IMPROVEMENT TO RR BRIDGE #62.56		
2	8/10/03	Approval	OVER VT ROUTE 9 (PRINCIPAL ARTERIAL)		
			WINDHAM COUNTY, TOWN OF BRATTLEBORO		
			TITLE :		
			PLAN - MISCELLANEOUS		
DRAWN BY : DAN		SHOP ORDER	DWG. NO.		
3/17/03		4015	E5		
CHK BY : RJS		BLOCK NO.	SHEET NO.		
4/14/03			6 / 20		