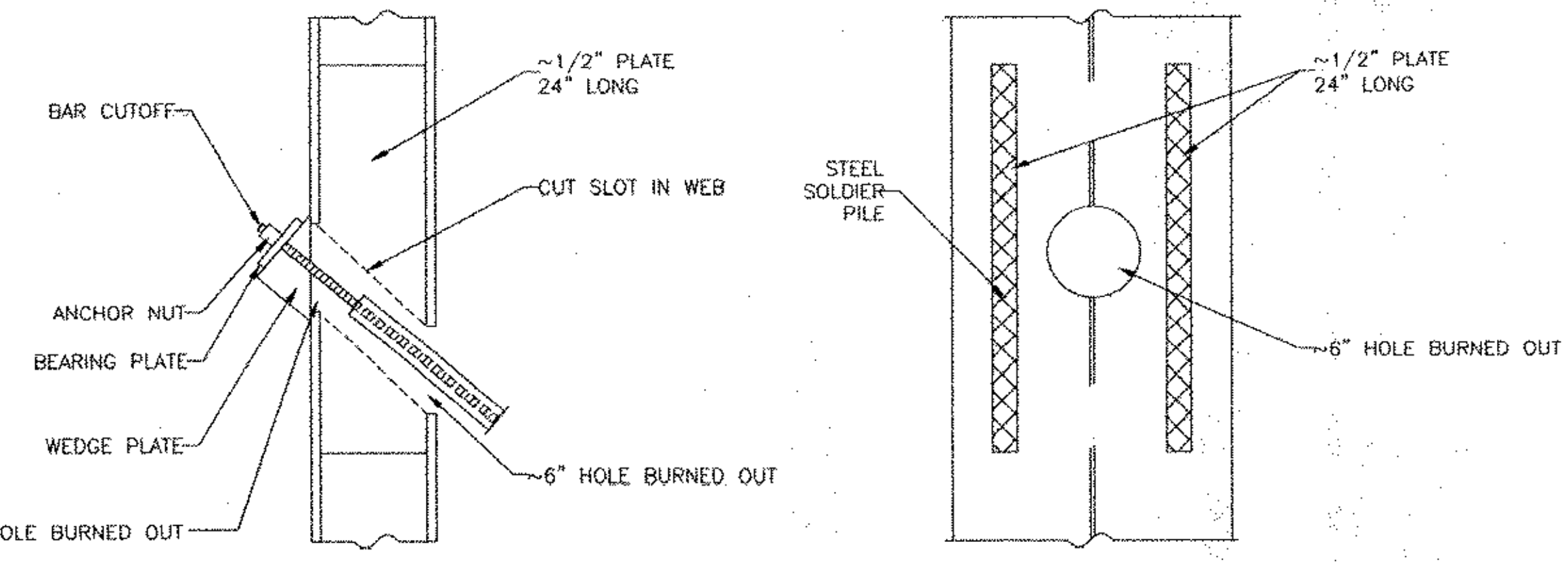
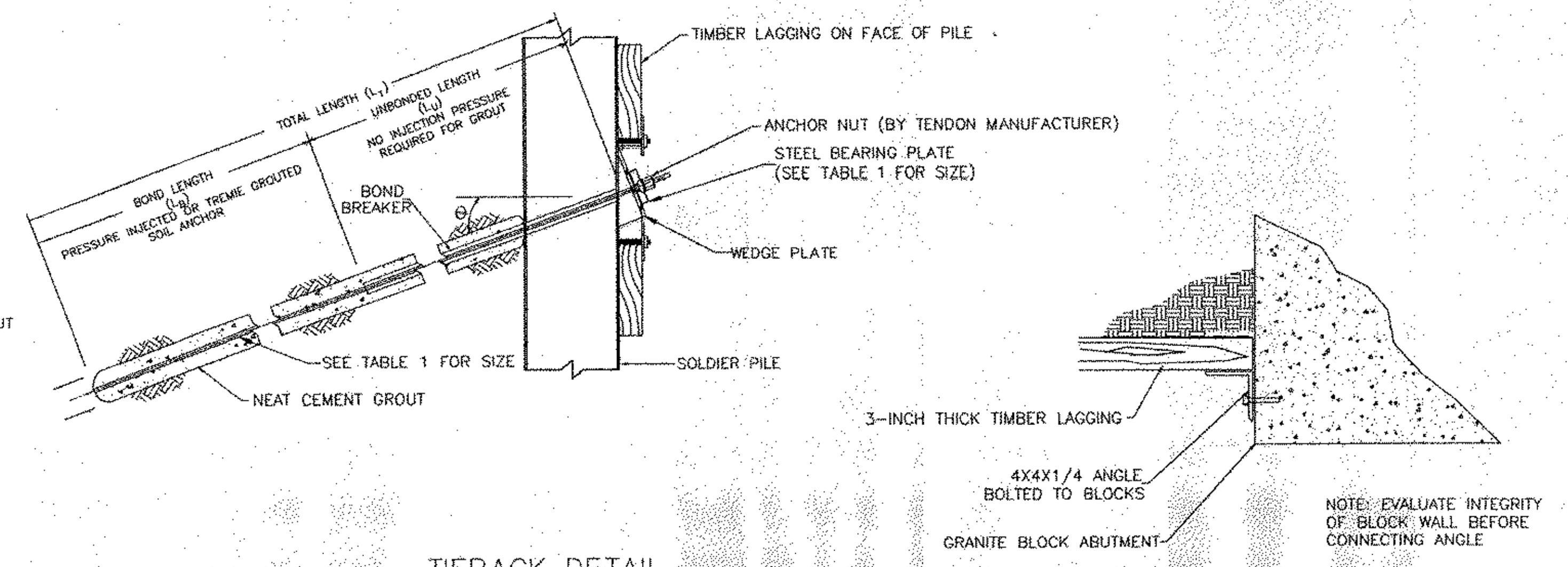


LAGGING DETAIL
N.T.S.

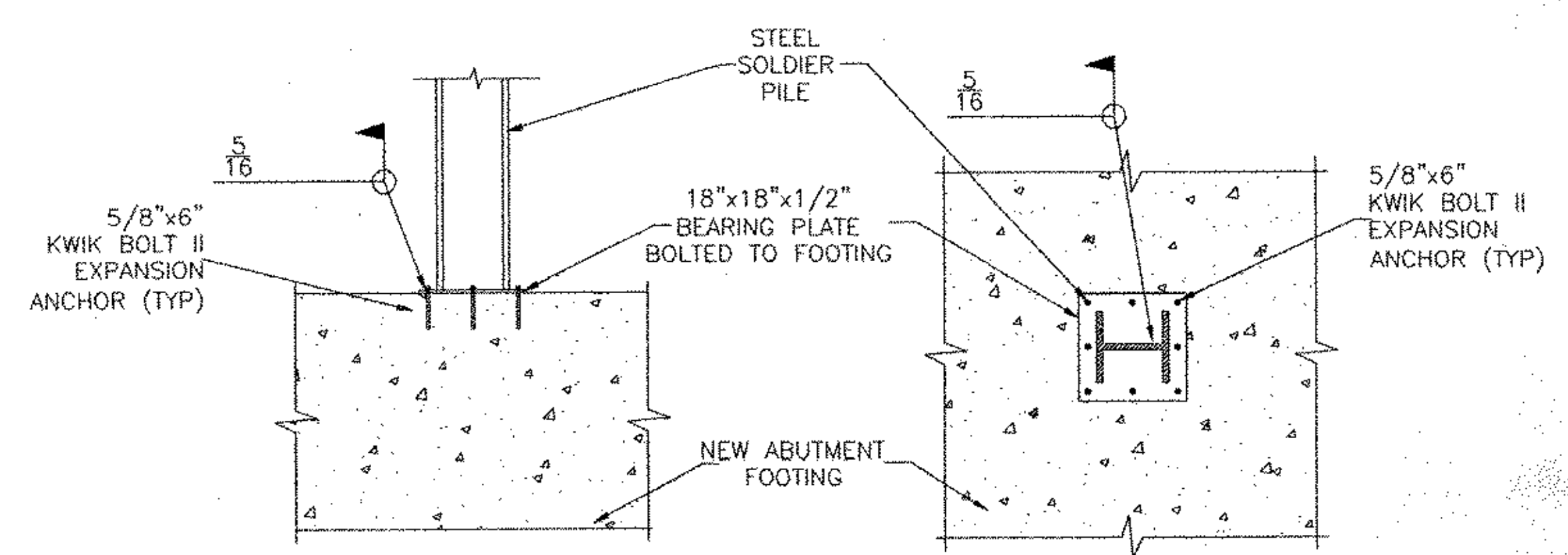


THRU BEAM CONNECTION DETAIL FOR HP PILE
N.T.S.



TIEBACK DETAIL
N.T.S.

LAGGING CONNECTION TO ABUTMENT DETAIL
N.T.S.



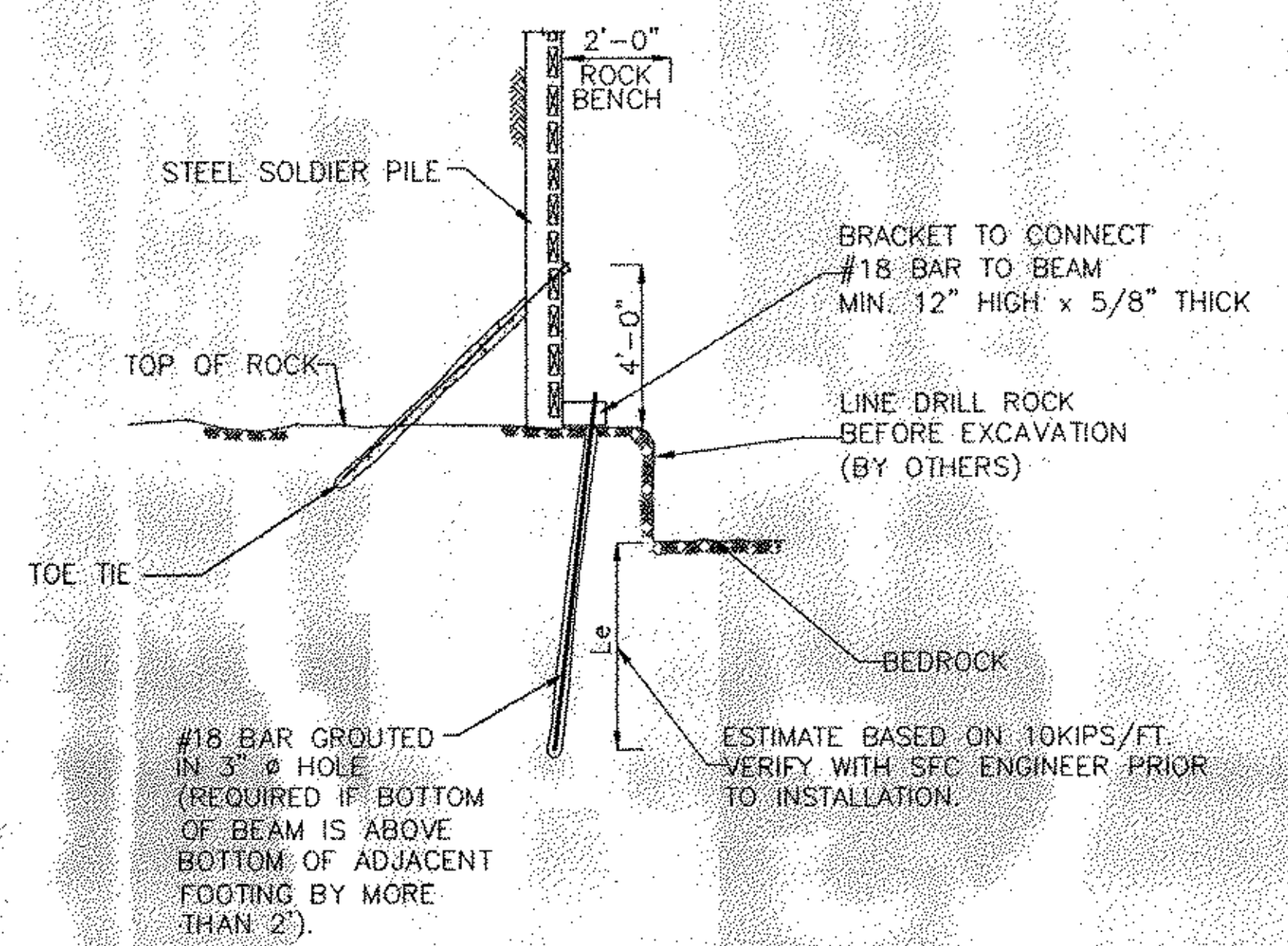
SOLDIER BEAM TO FOOTING CONNECTION DETAIL
N.T.S.

GRADE 150 BARS (ASTM A722)

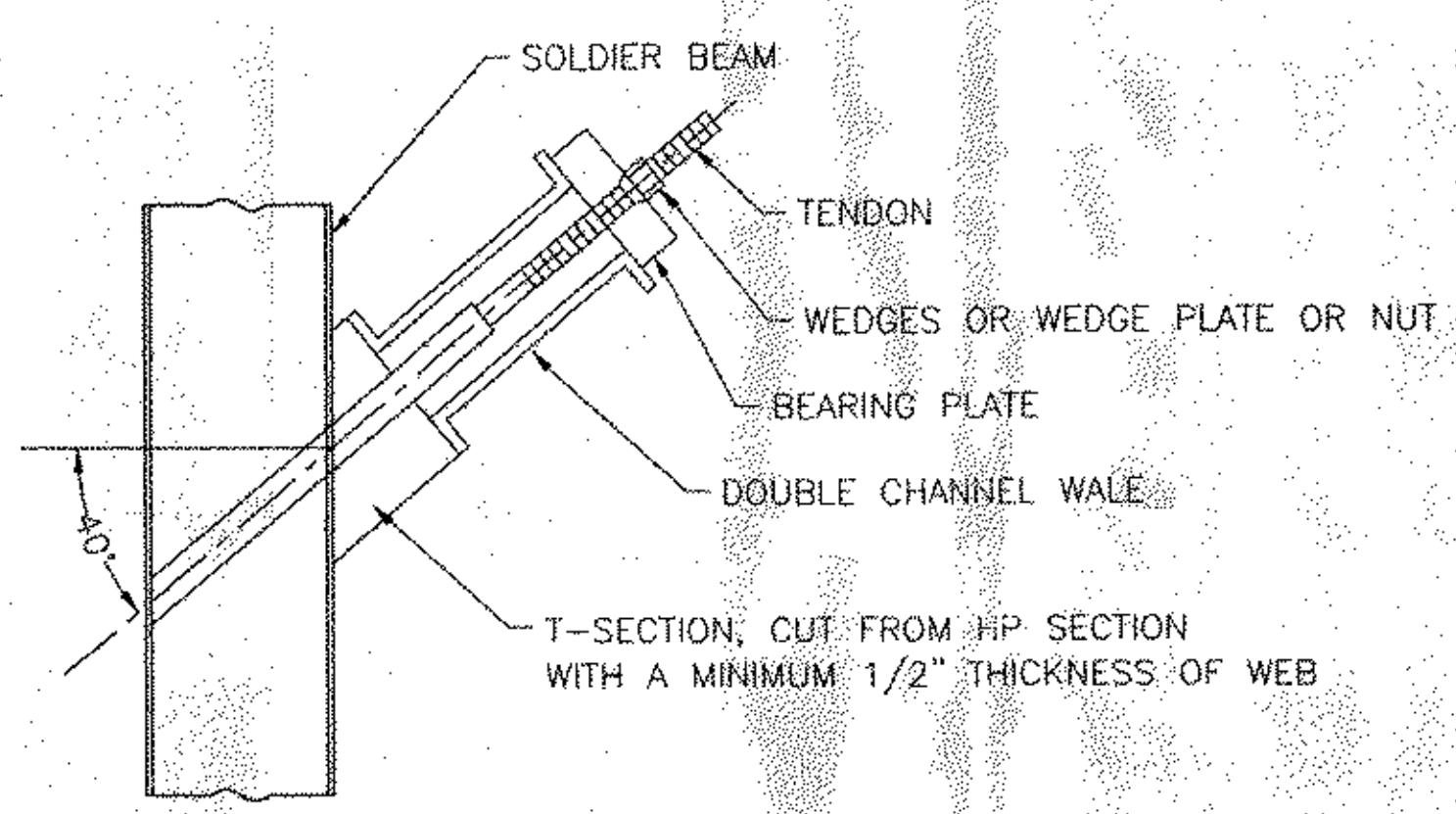
SIZE	MAXIMUM LOAD (KIP)	PLATE SIZE
1"	76	5x5x1.25 4x6.5x1.25
1-1/4"	112	6x7x1.5 5x8x1.5
1-3/8"	142	7x7.5x1.75 5x9.5x1.75

SEVEN WIRE STRANDS (ASTM A416)

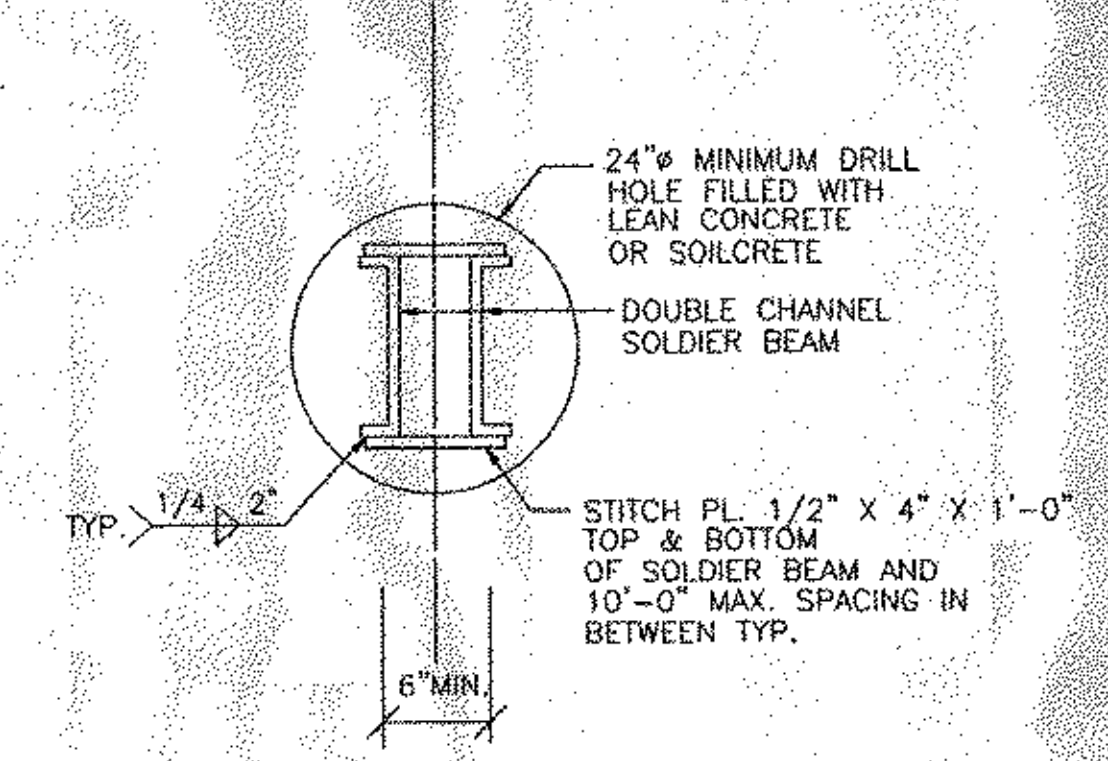
SIZE	MAXIMUM LOAD (KIP)	PLATE SIZE
3	105	6x6x1.5 5x8x1.5
4	140	7x7x1.75 5x9x1.75
5	175	8x8x2.0 6x10x2.0



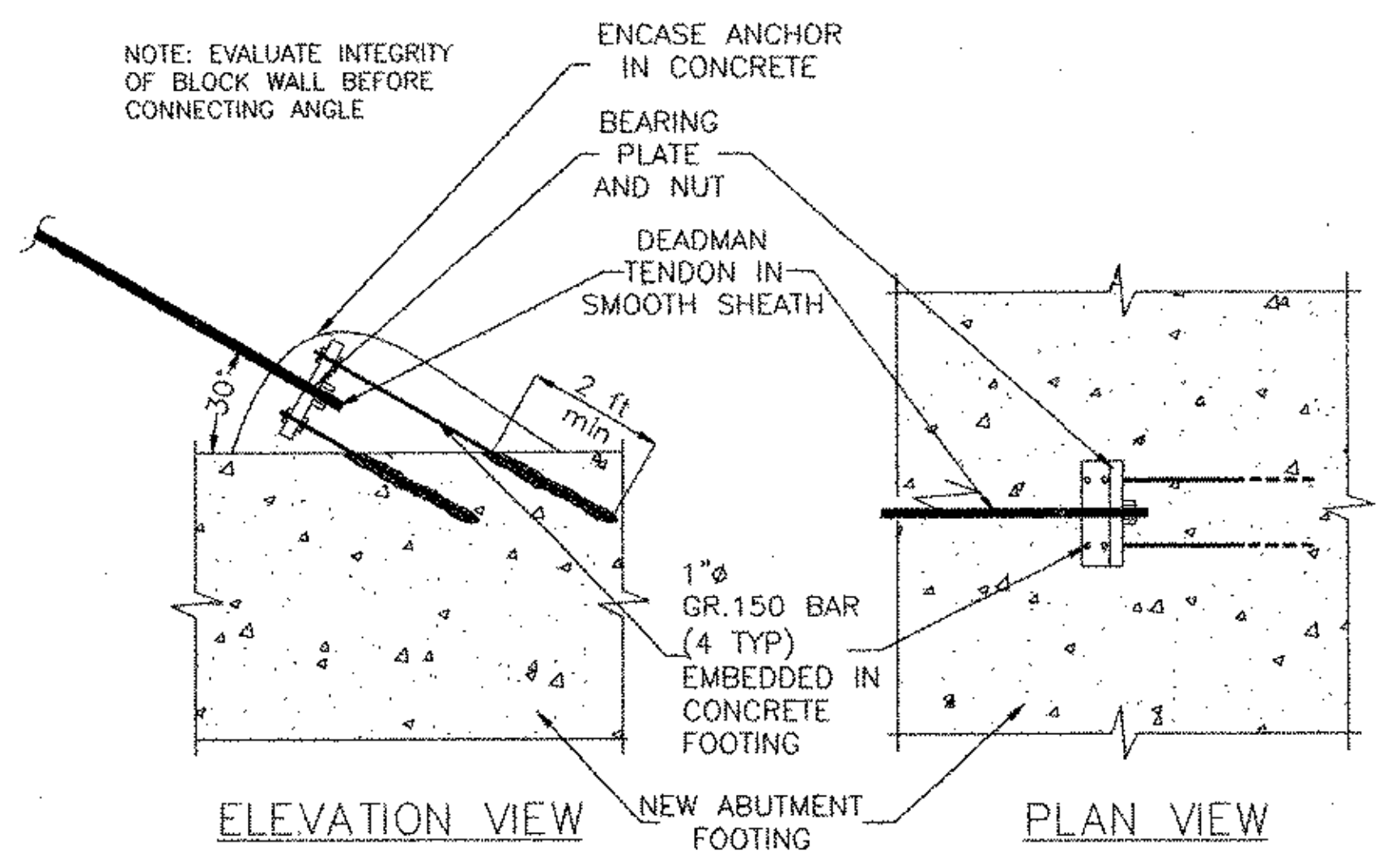
TOE TIE AND ROCK DOWEL DETAIL
N.T.S.



DOUBLE CHANNEL WALE DETAIL
N.T.S.



DOUBLE CHANNEL BEAM DETAIL
N.T.S.



DEADMAN DETAIL
N.T.S.

THESE DRAWINGS ARE THE PROPERTY OF SCHNABEL FOUNDATION COMPANY AND MAY NOT BE USED, COPIED, OR ALTERED, WITHOUT WRITTEN PERMISSION FROM SCHNABEL FOUNDATION COMPANY.
COPYRIGHT 2003 SCHNABEL FOUNDATION COMPANY

REVISIONS

NO	DATE	DESCRIPTION
1	4/21/03	REVIEW COMMENTS/GEN. REVISIONS

Schnabel
Foundation Company

Engineers and Contractors
200 Turnpike Road
Southborough, Massachusetts
Atlanta • Denver • Chicago
Houston • Los Angeles • Philadelphia
San Francisco • Washington D.C.

Harry W. Schnabel, P.E.
Vermont P.E. No. 7291

Excavation Support Details
Route 9 Improvements
Brattleboro, Vermont

Date: 02/25/03 Job Number: 06-3392
Scale: N.T.S. Drawing No: SFC-7

181 etc