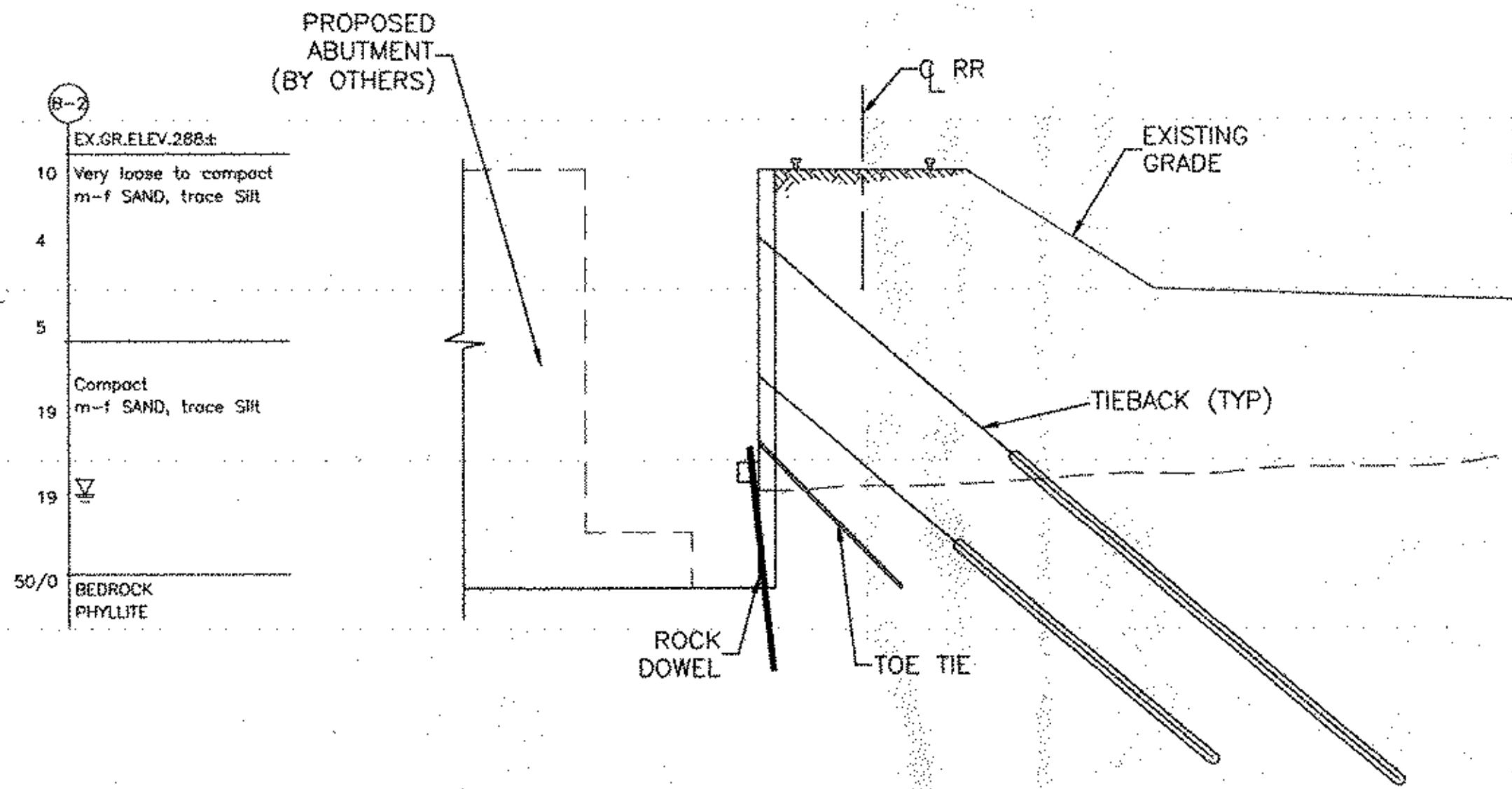
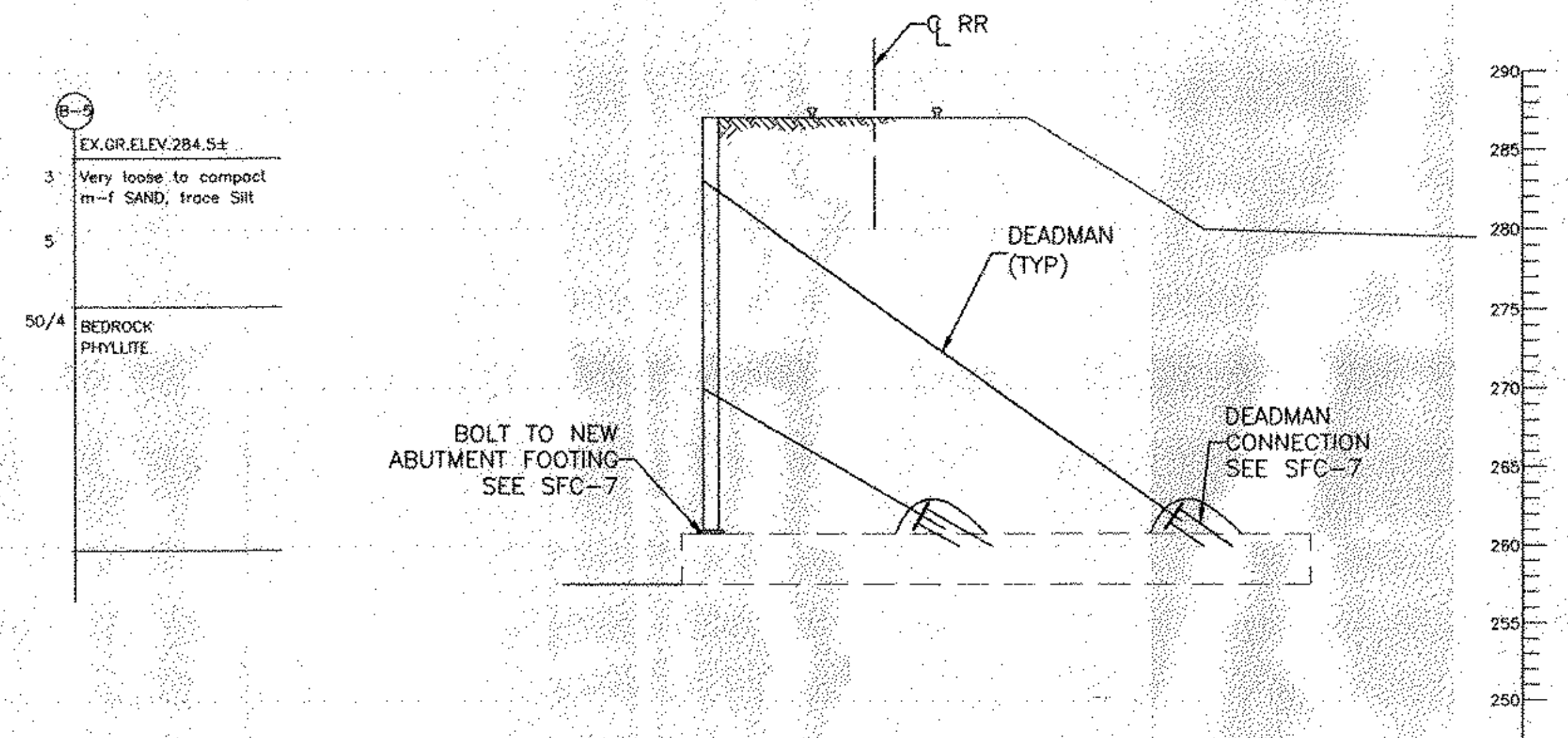


SECTION 1



SECTION 2



SECTION 3

SOLDIER BEAM/TIEBACK/TOE TIE SCHEDULE

PILE NUMBER	NUMBER OF PILES	TOP ELEVATION (FT)	SUBGRADE ELEVATION (FT)	PILE LENGTH (FT)	PILE 2 SIZE	H ₁ (FT)	H ₂ (FT)	TIEBACK ANGLE (DEG)	TIEBACK LOAD (KIPS)	UNBONDED LENGTH (FT)	BOND LENGTH (FT)	BAR SIZE	NUMBER OF 0.6" Ø STRANDS
1-2	2	287.1	267.4	20	2C15X33.9	4		40	126	15	25	1 3/8"	4
3-4	2	287.1	280.2	27	2C15X33.9	4	10	40	125	15	25	1 3/8"	4
5-8	4	287.1	257.5	30	2C15X33.9	4	10	40	160	15	30	1 1/4"	5
9	1	287.1	257.5	30	2C15X33.9	4	10	40	82	15	10	1 1/4"	3
10-11	2	283.1	257.5	27	2C10X20	4	10	40	47	15	15	1"	2
12-13	2	274.3	252.6	22	2C10X20	6		40	78	15	20	1 1/4"	3
14	1	265.1	253.3	12	2C10X20								
15-16	2	287.1	269.0	19	2C15X33.9	4		40	124	15	25	1 3/8"	4
17-21	5	287.1	262.4	25	2C15X33.9	4	8	40	119	15	25	1 3/8"	4
22	1	286.1	262.4	24	2C10X20	4		40	61	15	15	1"	2
23	1	282.2	262.4	20	2C10X20	4		40	44	15	15	1"	2
24-25	2	282.2	262.4	20	2C10X20	4		40	26	15	15	1"	2
26	1	278.9	262.4	17	2C10X20			40	31	15	15	1"	2
27	1	269.1	262.4	7	2C10X20								
28-29	2	287	260.6	27	HP12x53	4	13	35	143	39	deadman		5
						4		30	64	18	deadman	1"	2
30	1	283.8	261.4	23		4	10	40	43	15	15	1"	2
31-32	2	280.6	261.4	20		4		40	49	15	15	1"	2
33	1	272.4	261.4	11									
34	1	287	260.6	27	HP12x53	4	13	35	143	39	deadman		5
						4		30	64	18	deadman	1"	2
35	1	287.1	267.4	20		4	10	30	133	15	25	1"	4
36-37	2	285.5	267.3	19		4		40	38	15	15	1"	2
38	1	285.5	267.3	19		4		40	28	15	15	1"	2
39	1	281.2	275.5	6					18	15	15	1"	2

1. PILE LENGTH SHOWN IS FOR PLANNING PURPOSES ONLY. INSTALL PILES TO TOP OF BEDROCK OR 5 FT BELOW BOTTOM OF EXCAVATION, WHICHEVER IS HIGHER.
 2. SFC RESERVES THE RIGHT TO SUBSTITUTE ANY BEAM SIZE PROVIDED IT MEETS THE DESIGN REQUIREMENTS.
 3. BOND LENGTH SHOWN IS FOR PLANNING PURPOSES ONLY. ACTUAL BOND LENGTH WILL BE DETERMINED IN FIELD BASED ON ACTUAL SOIL/ROCK CONDITIONS. ESTIMATE BOND LENGTH AS FOLLOWS: 2 KIPS/FT BONDED IN SOIL; 10 KIPS/FT BONDED IN ROCK. VERIFY WITH SFC ENGINEER PRIOR TO INSTALLING TENDON.

THESE DRAWINGS ARE THE PROPERTY OF SCHNABEL FOUNDATION COMPANY AND MAY NOT BE USED, COPIED, OR ALTERED, WITHOUT WRITTEN PERMISSION FROM SCHNABEL FOUNDATION COMPANY.
 COPYRIGHT 2003 SCHNABEL FOUNDATION COMPANY



Harry W. Schnabel, P.E.
 Vermont P.E. No. 7291

REVISIONS			Excavation Support Sections	
NO	DATE	DESCRIPTION	Route 9 Improvements	
1	4/21/03	REVIEW COMMENTS/GEN. REVISIONS	Brattleboro, Vermont	
			Date: 02/27/03	Job Number: 06-3392
			Scale: 1/8"=1'-0"	Drawing No: SFC-6

Schnabel
 Foundation Company
 Engineers and Contractors
 200 Turnpike Road
 Southborough, Massachusetts
 Atlanta • Denver • Chicago
 Houston • Los Angeles • Philadelphia
 San Francisco • Washington D.C.