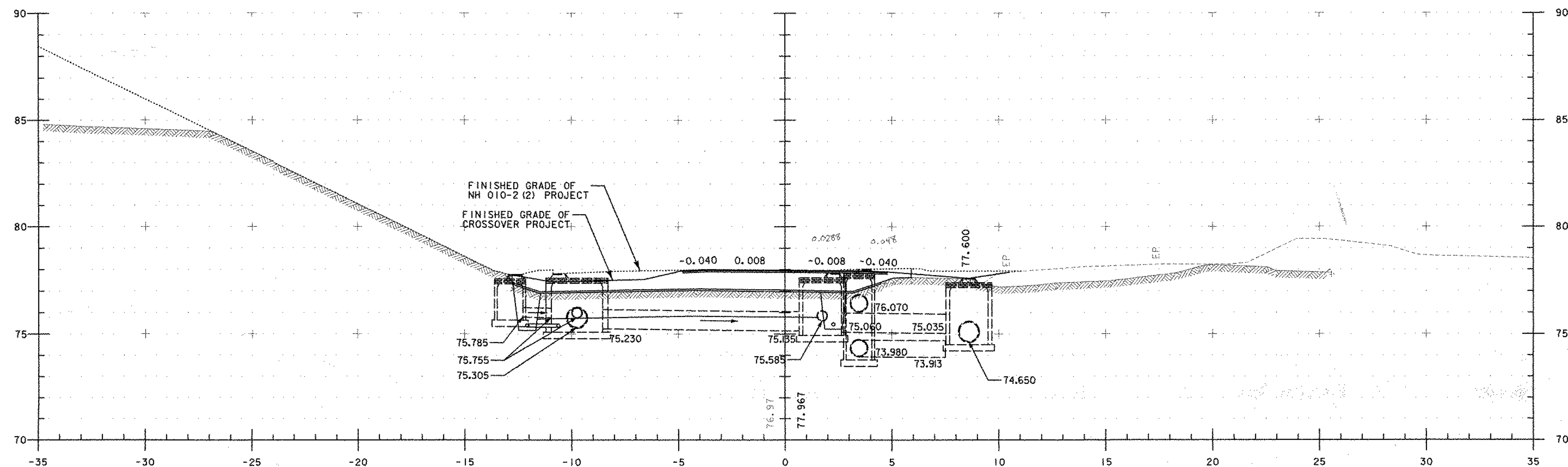


I+340



I+320

PROJECT NAME:	BRATTLEBORO	PLOT DATE:	03/28/2003
PROJECT NUMBER:	NH 010-2(2)	DRAWN BY:	PTS
FILE NAME:	... \zb270xs.dgn	CHECKED BY:	JAW
PROJECT LEADER:	WRH	SHEET	13 OF 13
DESIGNED BY:	PTS		
CLD REF NO.	02-0439		

172 Rock