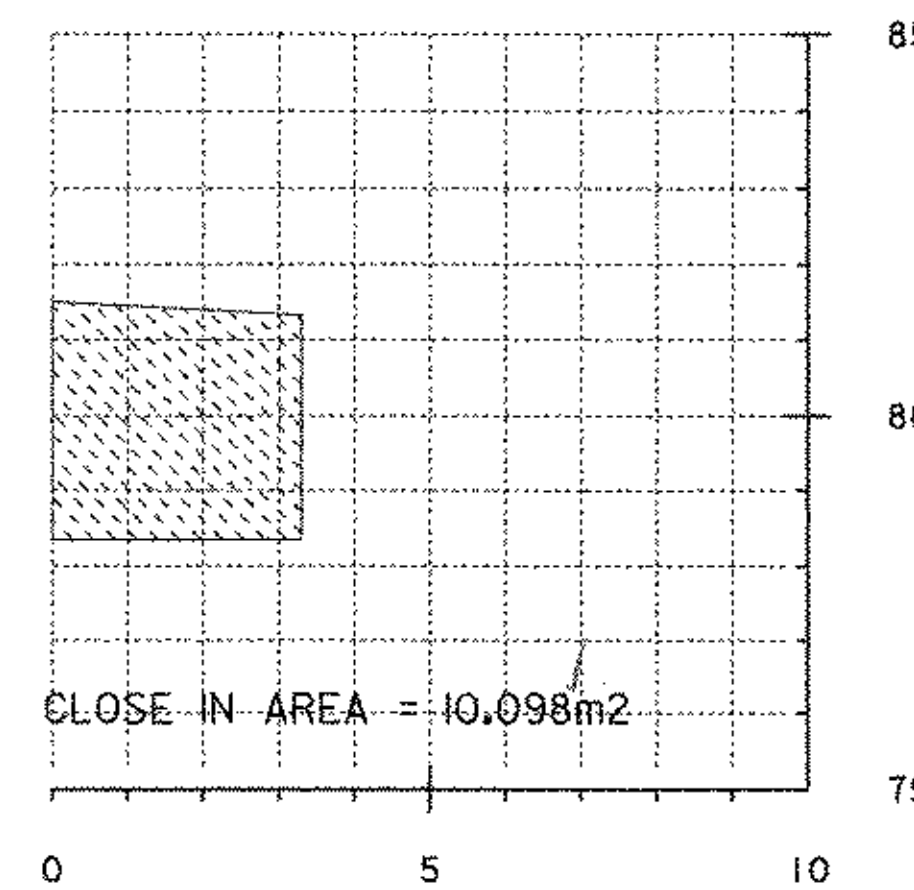
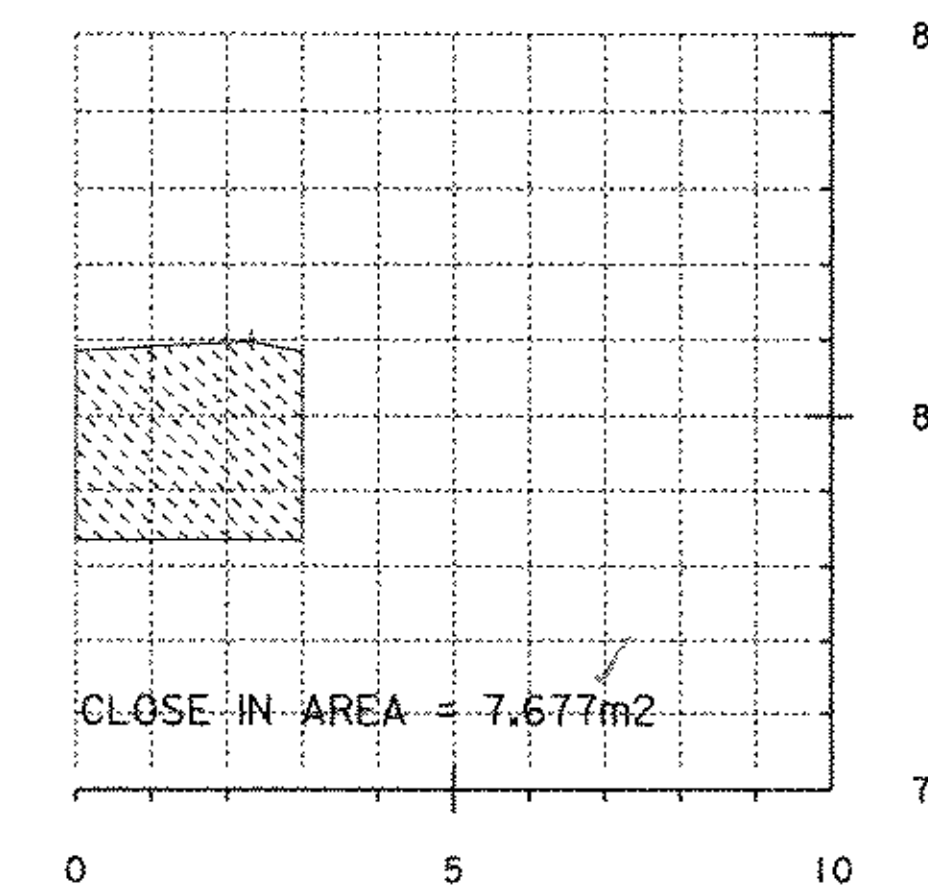


FRONT OF WINGWALL 4 FOOTING



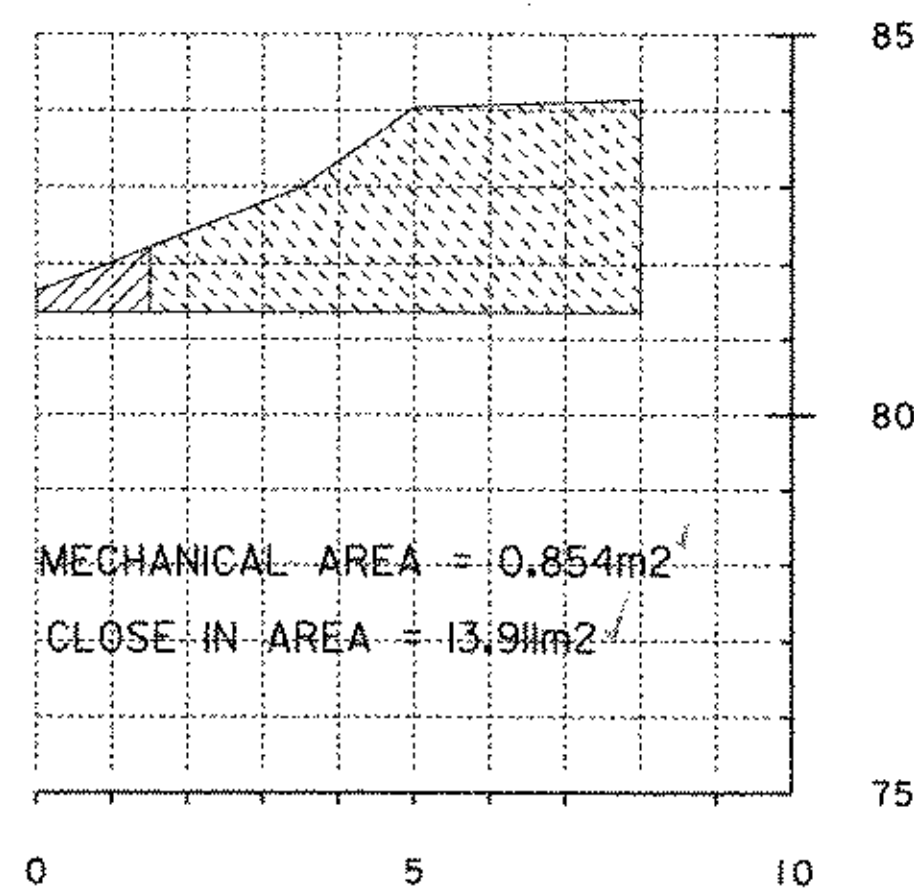
MIDDLE OF WINGWALL 4 FOOTING



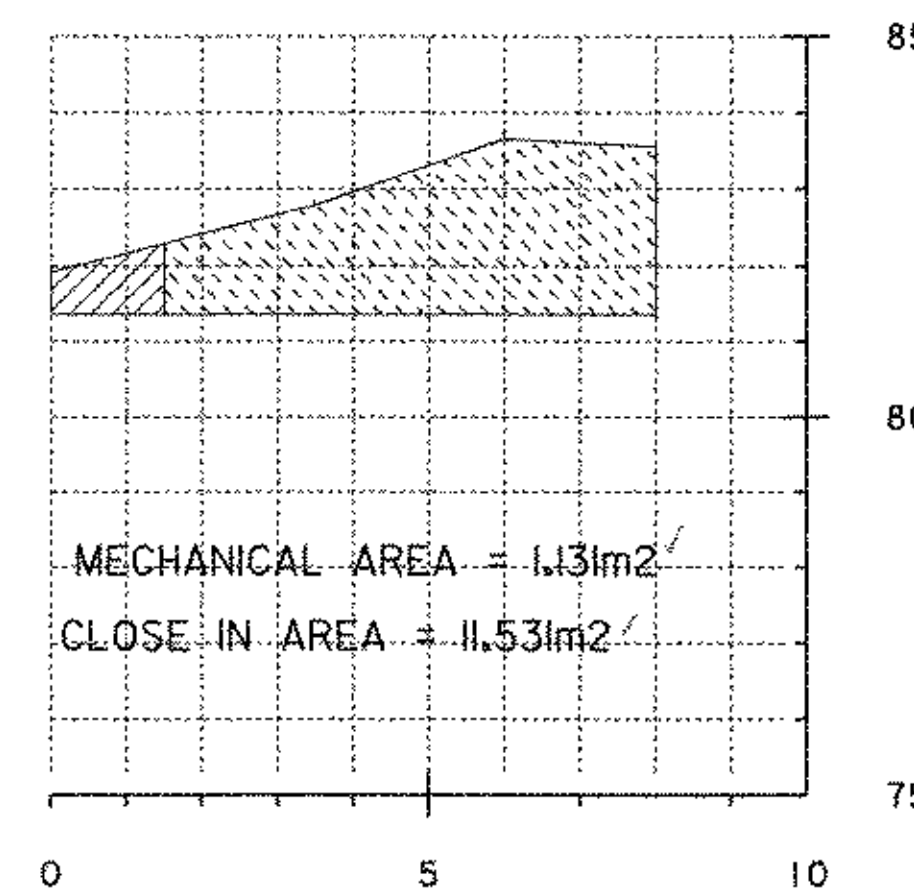
BACK OF WINGWALL 4 FOOTING

Close in areas

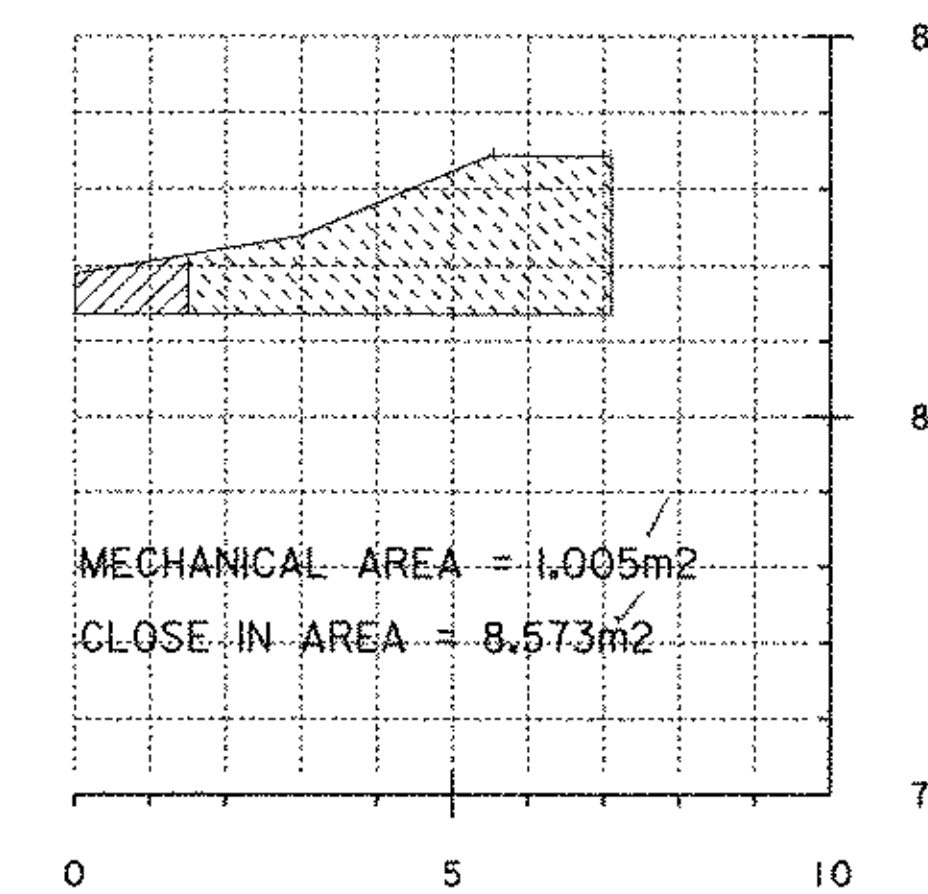
ROUTE 9 BRIDGE NORTH ABUTMENT
PHASE TWO LEDGE SECTIONS



FRONT OF WINGWALL 2A FOOTING



MIDDLE OF WINGWALL 2A FOOTING



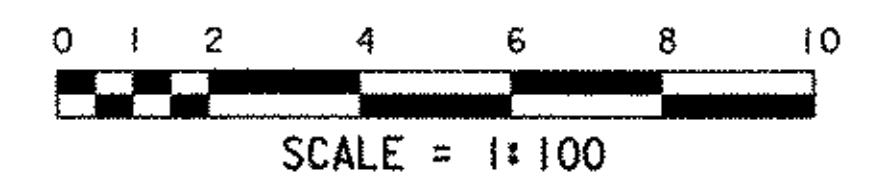
BACK OF WINGWALL 2A FOOTING

Close in areas

LEGEND

- = MECHANICAL REMOVAL ZONE
- = CLOSE IN REMOVAL ZONE

ROUTE 9 BRIDGE SOUTH ABUTMENT
PHASE TWO LEDGE SECTIONS



PROJECT: BRATTLEBORO	PROJECT NO.: NH 010-2(2)
PLOT DATE: 25-MAR-2005	
LEDGE SECTIONS 157+5	