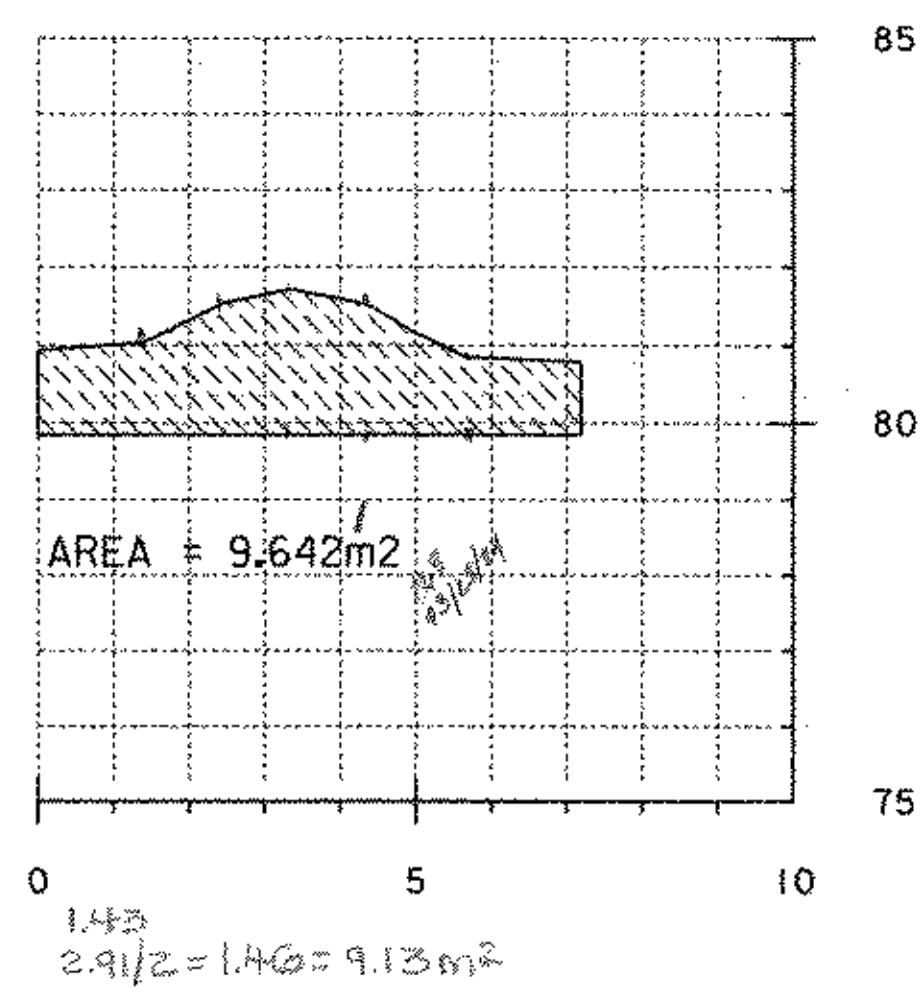
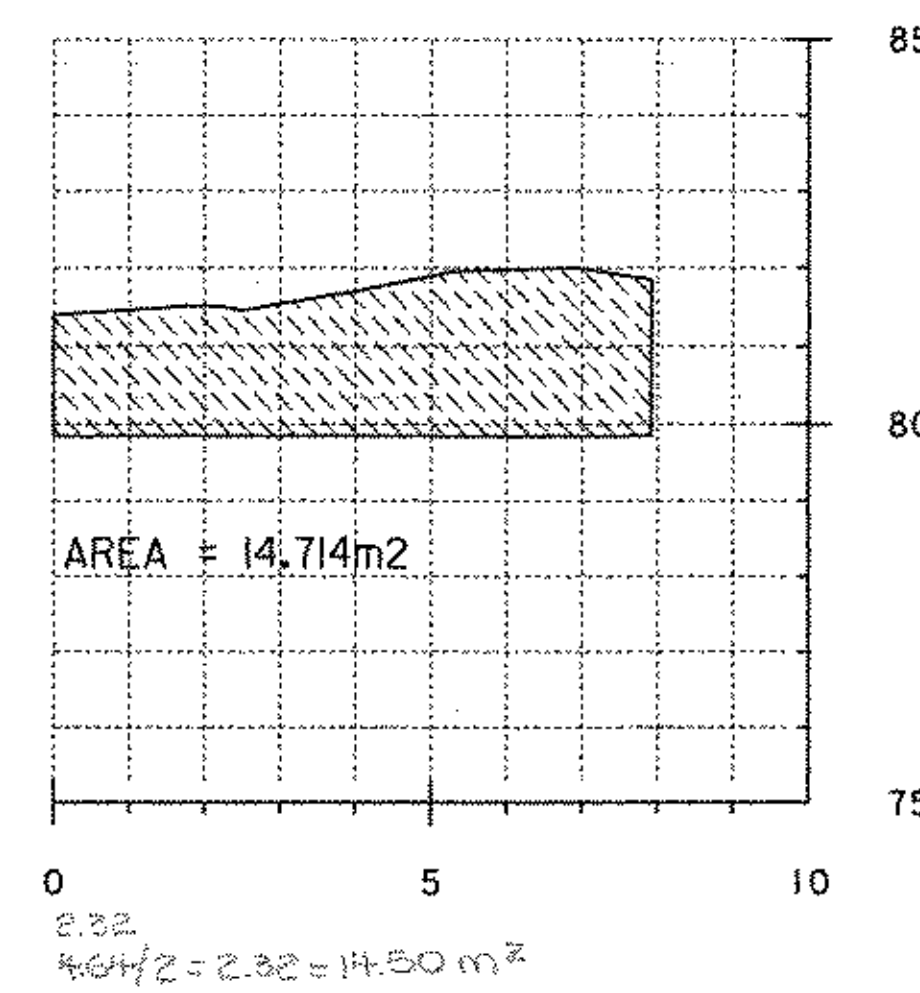


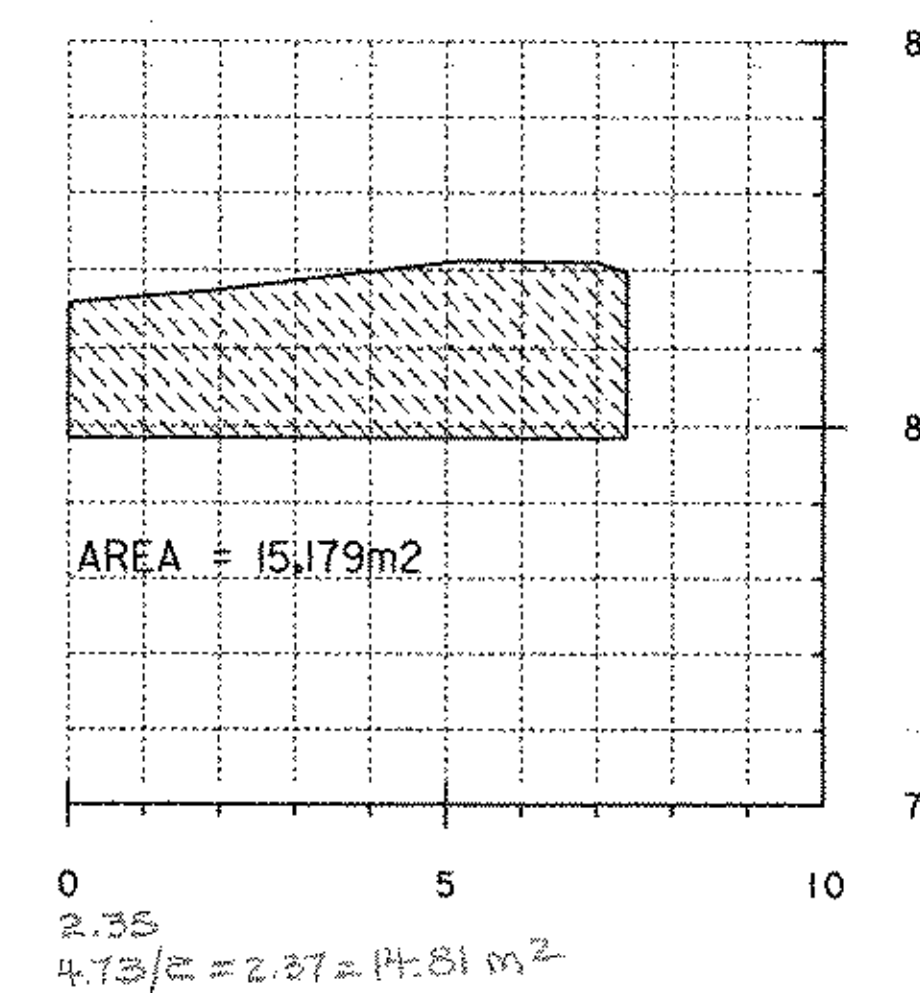
FRONT OF WWIA



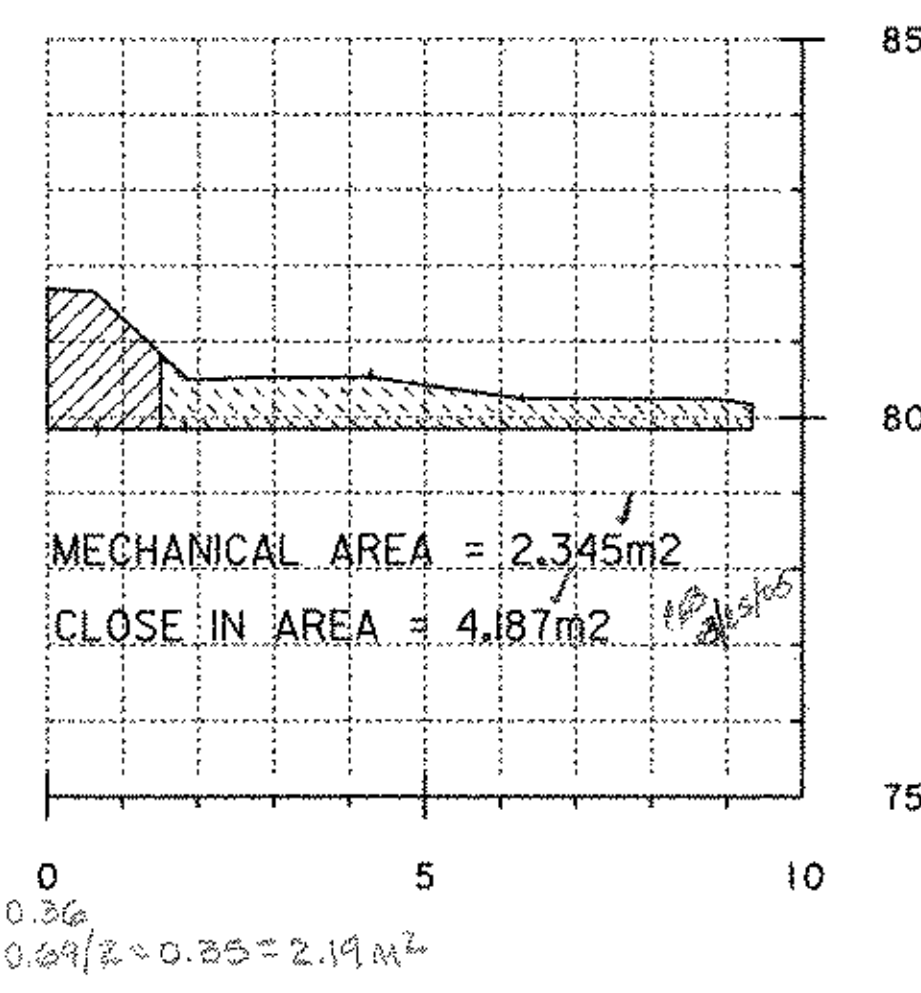
MIDDLE OF WWIA



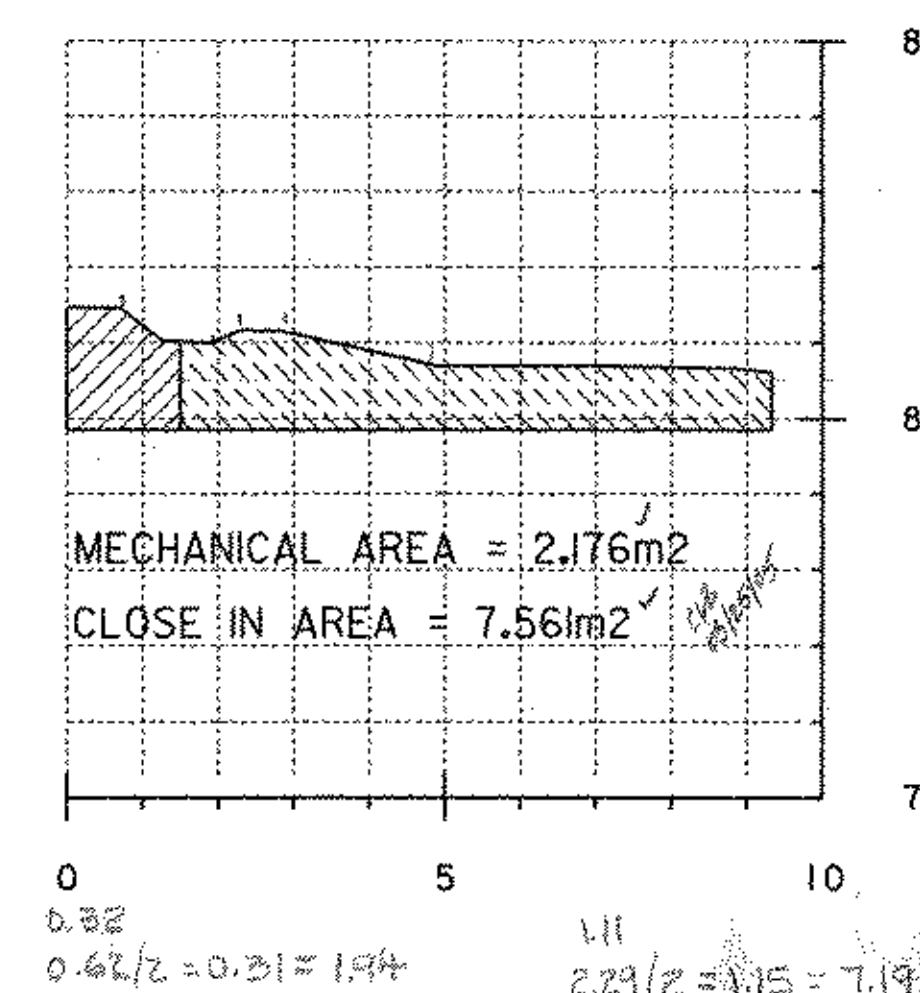
1.5M LINE OF WWIA



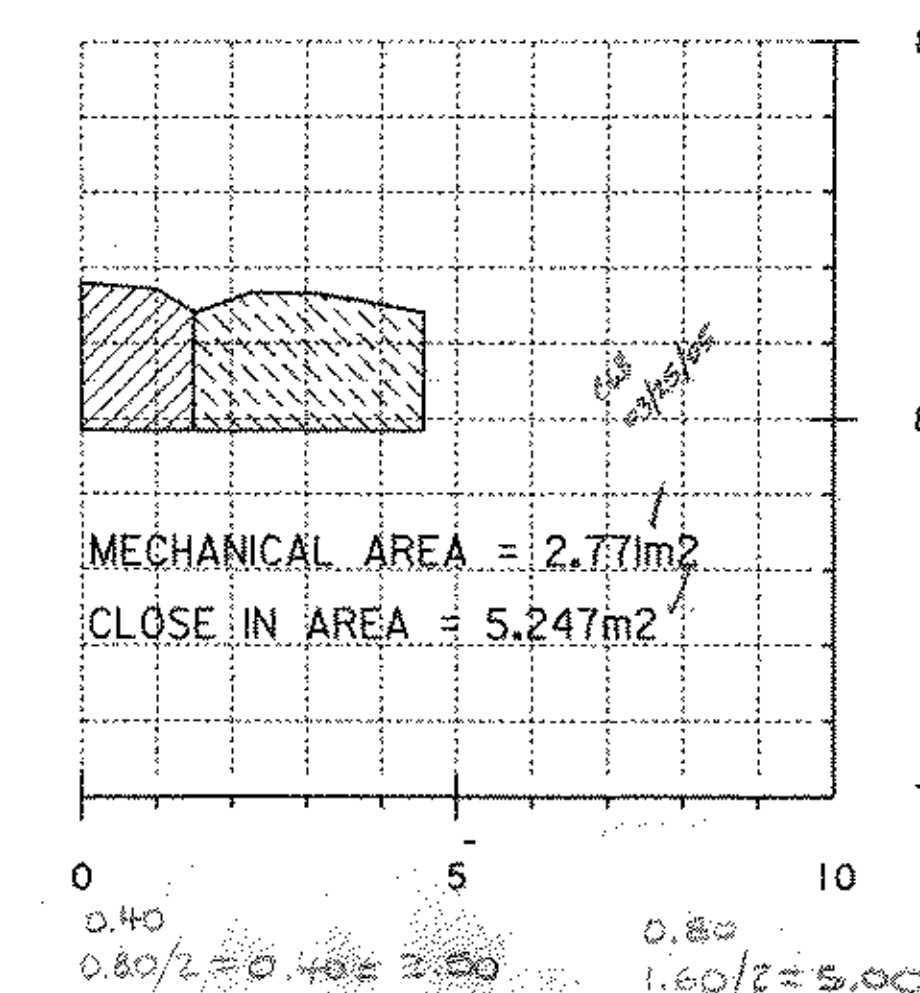
BACK OF WWIA



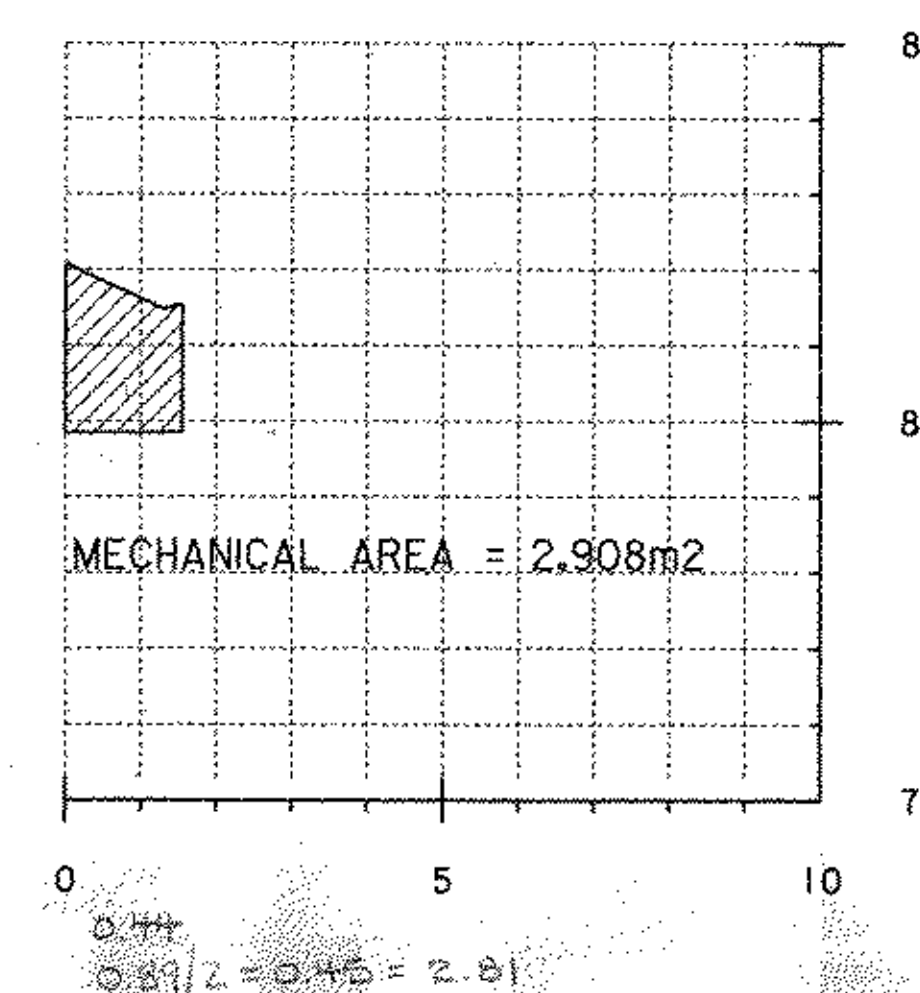
FRONT OF ABUTMENT FOOTING



MIDDLE OF ABUTMENT FOOTING



BACK OF ABUTMENT FOOTING



BACK OF ABUTMENT FOOTING

LEGEND

- = MECHANICAL REMOVAL ZONE
- = CLOSE IN REMOVAL ZONE

ROUTE 9 BRIDGE SOUTH ABUTMENT
PHASE ONE LEDGE SECTIONS



SCALE = 1:100

VJD 1/27/03

PROJECT: BRATTLEBORO	PROJECT NO.: NH 010-2(2)
PLOT DATE: 10-MAR-2004	
LEDGE SECTIONS 156 XS	