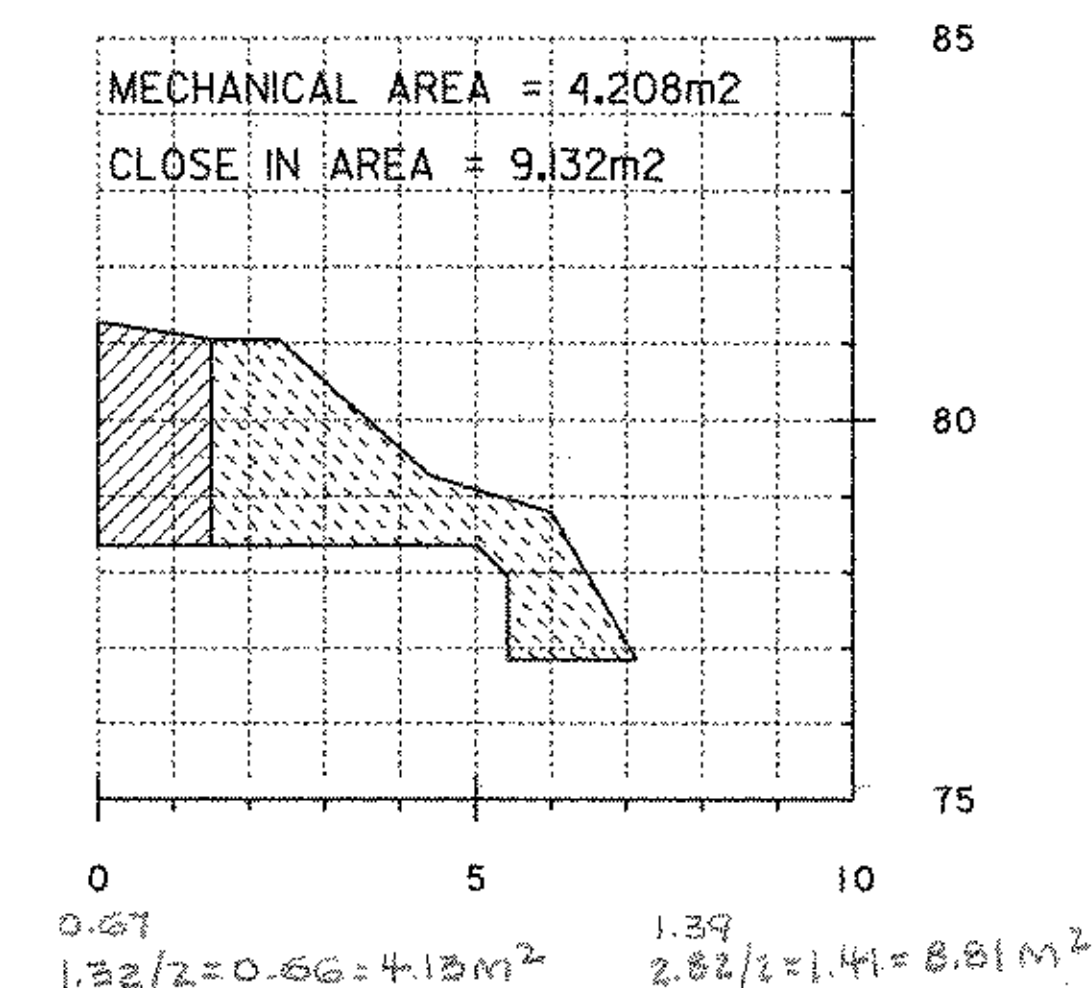
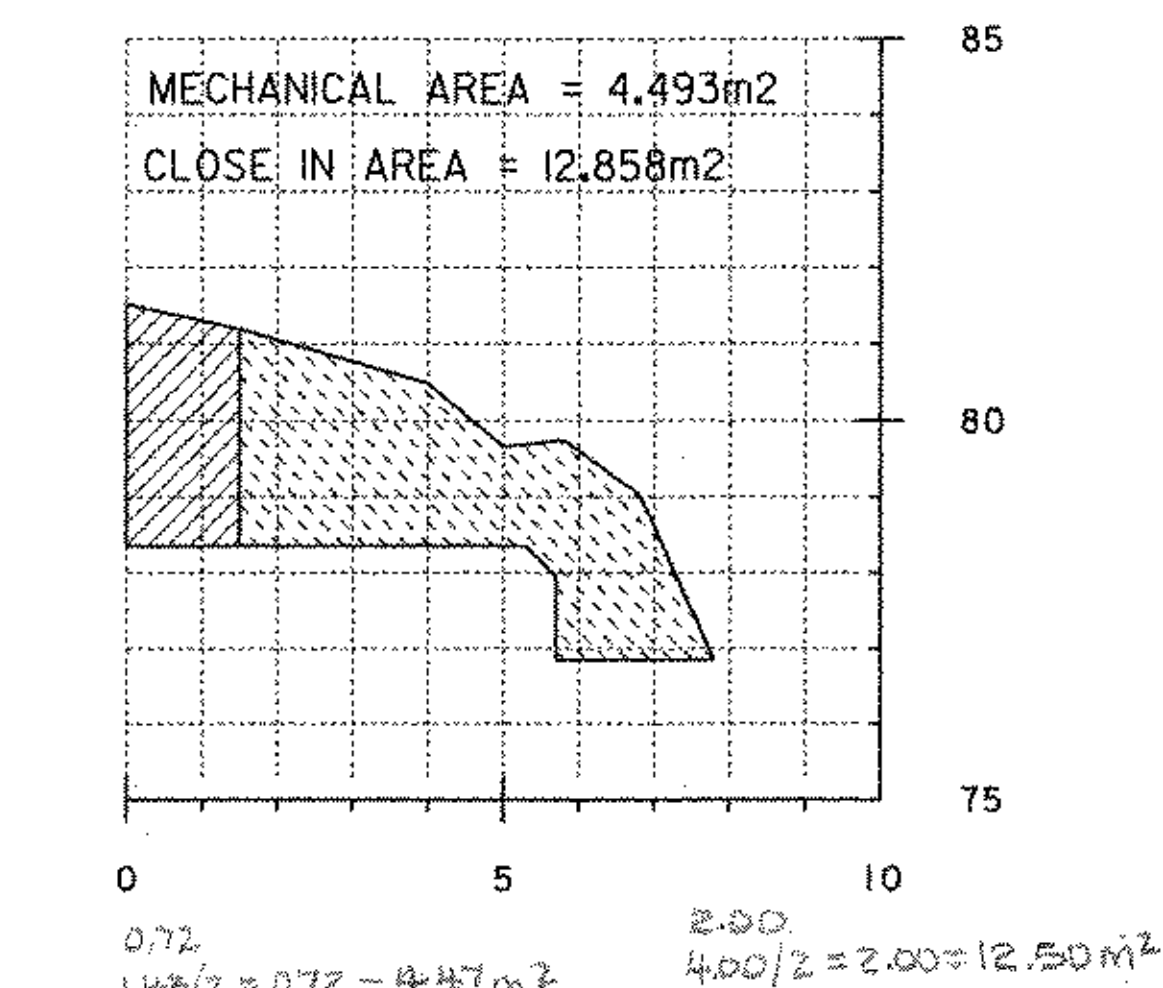


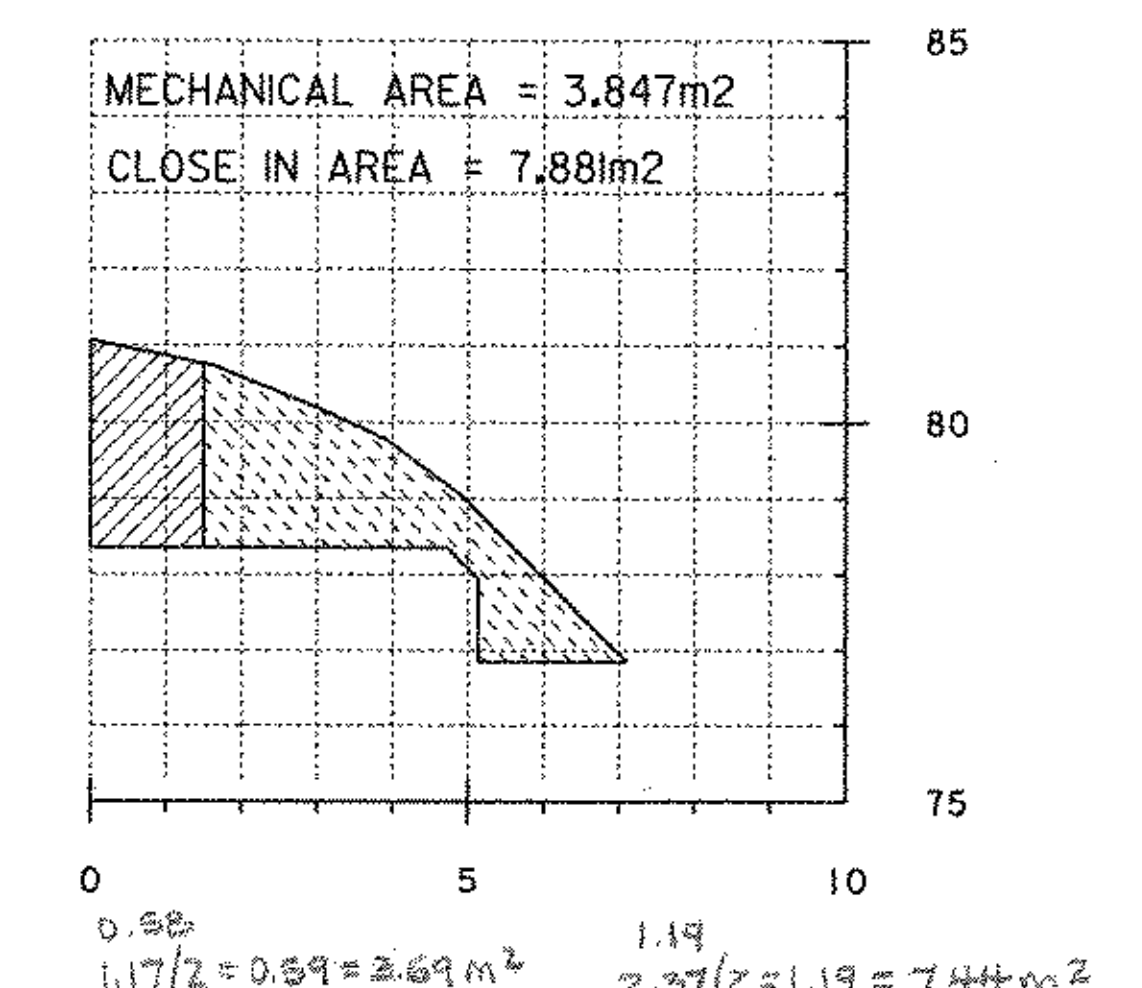
FRONT OF ABUTMENT FOOTING



MIDDLE OF ABUTMENT FOOTING



BACK OF ABUTMENT FOOTING

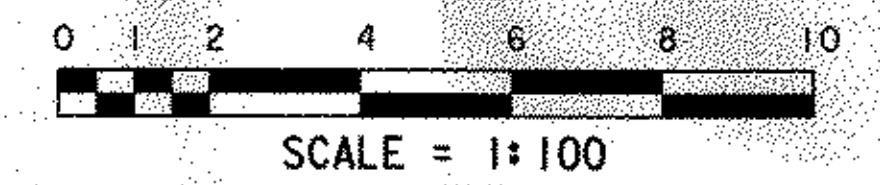


BACK OF ABUTMENT FOOTING

LEGEND

- = MECHANICAL REMOVAL ZONE
- = CLOSE IN REMOVAL ZONE

ROUTE 9 BRIDGE NORTH ABUTMENT
PHASE ONE LEDGE SECTIONS



JPD 1/27/05

PROJECT: BRATTLEBORO	PROJECT NO.: NH 010-2(2)
PLOT DATE: 10-MAR-2004	
LEDGE SECTIONS 155 XS	