

Use/disclosure outside of VERIZON without written agreement

VERIZON

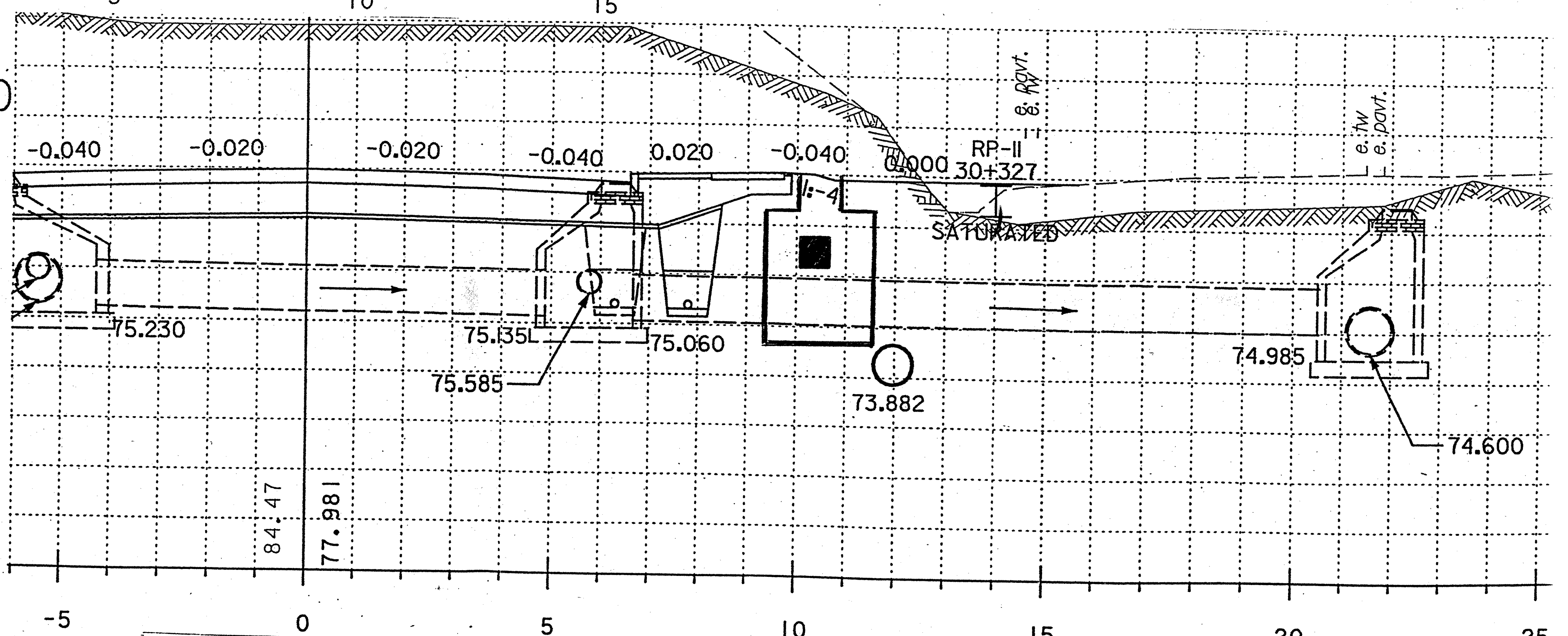
	SAFETY NOTES: TRAFFIC, ROAD CONSTRUCTION		MOD/REV NO.	DATE	EWO NO.
					PRINT 7 OF
					PREPARED BY:
					C.O. /EXCHANGE NAME:
SIGNATURE			TYPE	RECORD REF:	BRATTLEBORO
DATE 3/1/2001			AERIAL	1-4E	C.O. /EXCHANGE CODE:
PRE CT YES <input type="checkbox"/> NO <input checked="" type="checkbox"/>			UNDERGROUND		4731
PRIMARY VOLTAGE TO GROUND			BLOCK (NYT)		MUNICIPALITY:
7.2 KV MGN SYSTEM			CONDUIT		BRATTLEBORO
CABLE PRESS.	UNDER PRESS. YES <input type="checkbox"/> NO <input checked="" type="checkbox"/>	BUFFER	YES <input type="checkbox"/> NO <input checked="" type="checkbox"/>	MANHOLE LOCATION MH# NA	
TRANSMISSION	26GA LIMIT YES <input type="checkbox"/> NO <input checked="" type="checkbox"/>	AMT. BRIDGE TAP	INPUT	KF	

PROJ. # 131104

Not to Scale

PROPOSED MH# 27A

30+250.000



30+330.000

3/2/2001

1456