

WORK ORDER


Notice: Not for Use/disclosure outside of Verizon without written agreement

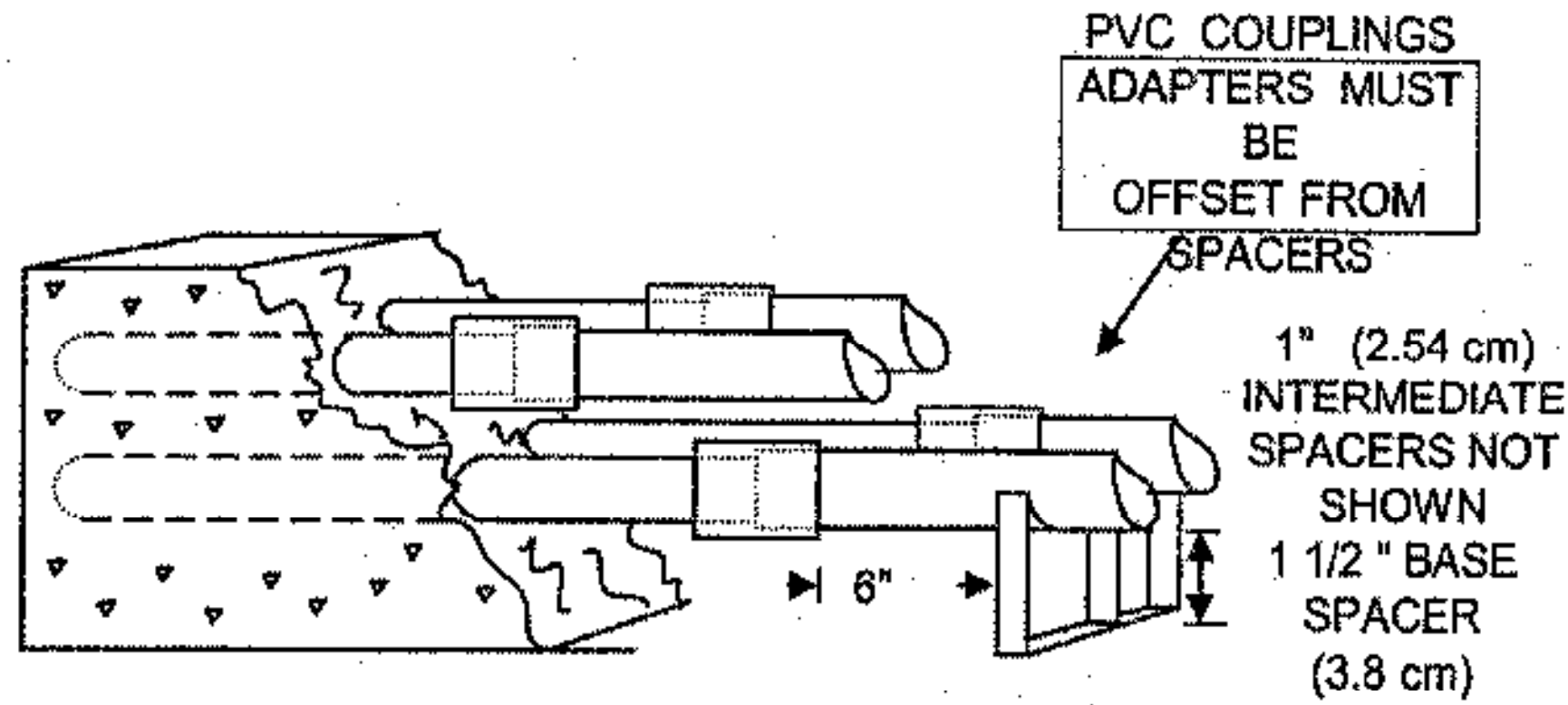
VERIZON

NOTE -

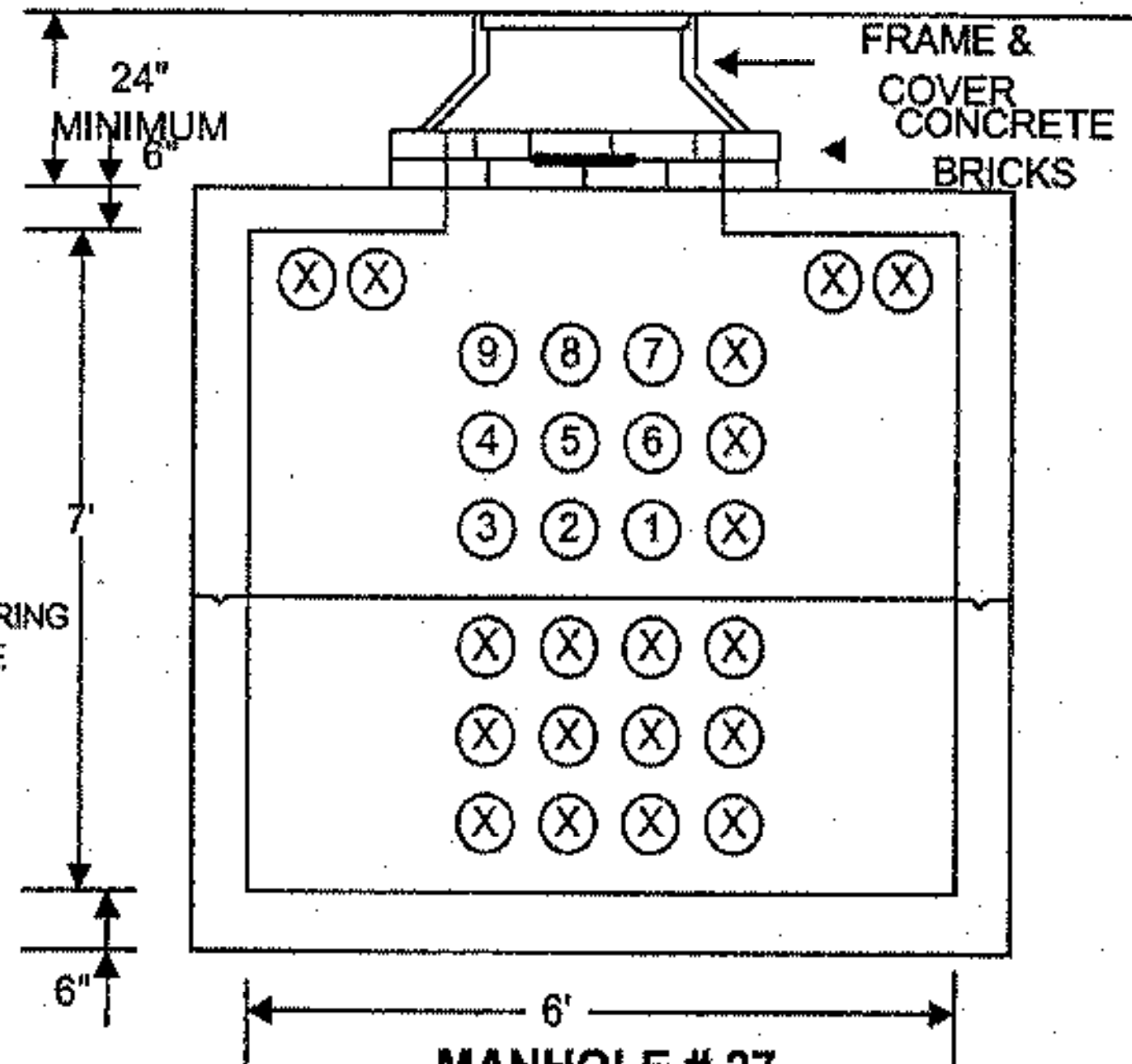
Pr#131104

CONCRETE - MIN 2500 psi WITH 1/4" TO 3/8" AGGREGATE WITH MAX 9" SLUMP.
DO NOT DROP THE CONCRETE MORE THAN 3 FEET - CAN BE BACKFILLED IN APPROX. 1 1/2 HOURS
PLACE CONDUIT SPACERS EVERY 5' CONTRACTOR TO PLACE PULL ROPE IN ALL DUCTS
CONTRACTOR TO PLACE MEASURING TAPE IN ONE DUCT

	SAFETY NOTES: Road construction traffic		MOD/REV NO.	DATE	EWO NO.
	SIGNATURE				PRINT 4 OF
	DATE March 30, 2000				PREPARED BY: J. BRIAN GRESL
	TYPE AERIAL		RECORD REF:	Brattleboro	
PRE CT YES <input type="checkbox"/> NO <input checked="" type="checkbox"/>		UNDERGROUND	1-4E	C.O. /EXCHANGE NAME:	
PRIMARY VOLTAGE TO GROUND 7.2 KV MGN SYSTEM		BLOCK (NYT)		C.O. /EXCHANGE CODE: 4731	
CABLE PRESS. <input type="checkbox"/>		CONDUIT	45-1, 45-3	MUNICIPALITY: Brattleboro	
TRANSMISSION 26GA LIMIT		AMT. BRIDGE TAP	INPUT	MANHOLE LOCATION MH# NA	
UNDER PRESS. YES <input type="checkbox"/> NO <input checked="" type="checkbox"/>		MANHOLE LOCATION MH#	NA		



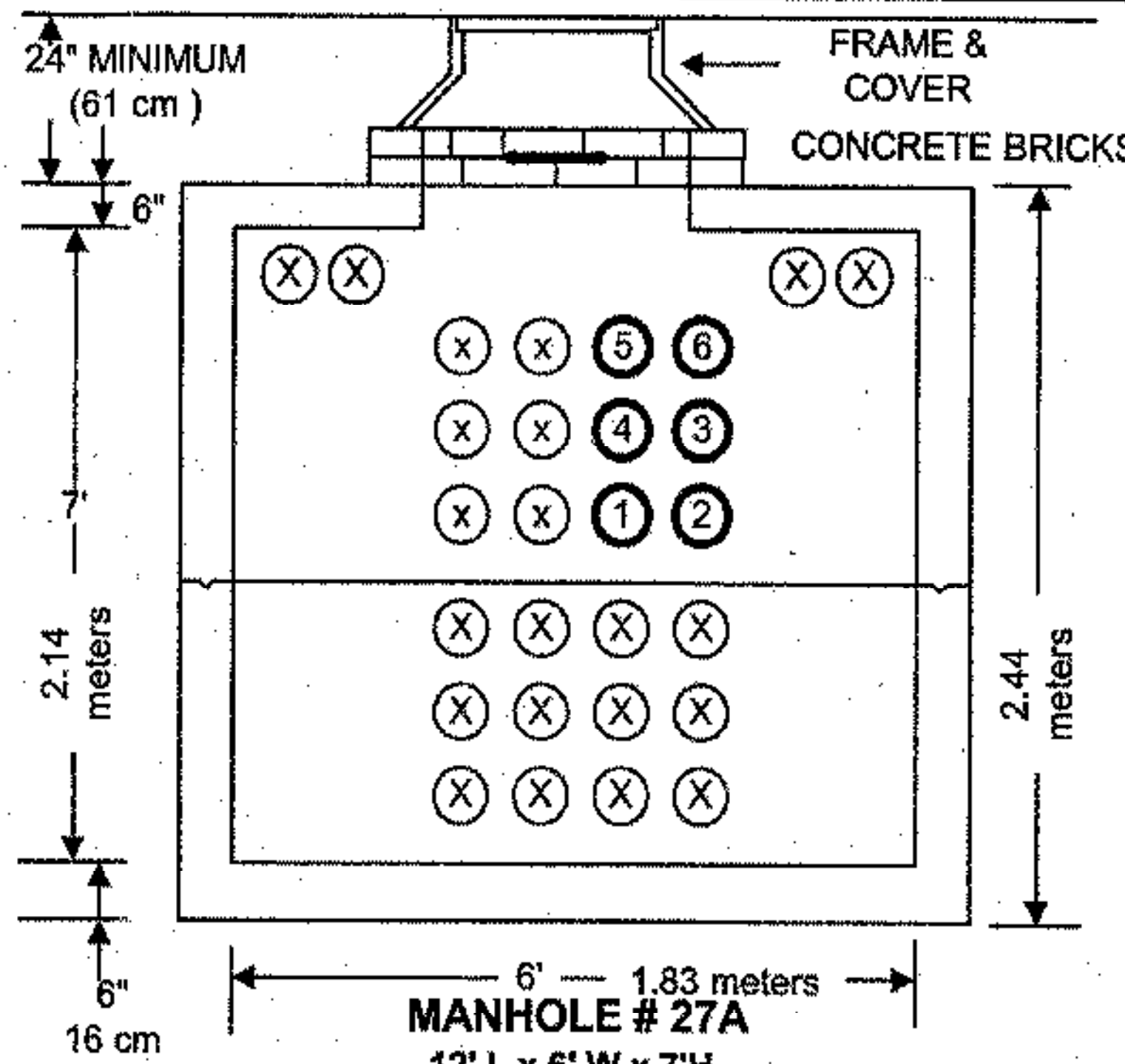
TYPICAL CONCRETE ENCASED DUCTS



MANHOLE # 27
12' L x 6' W x 7' H
FACING NORTH
FROM INSIDE MANHOLE

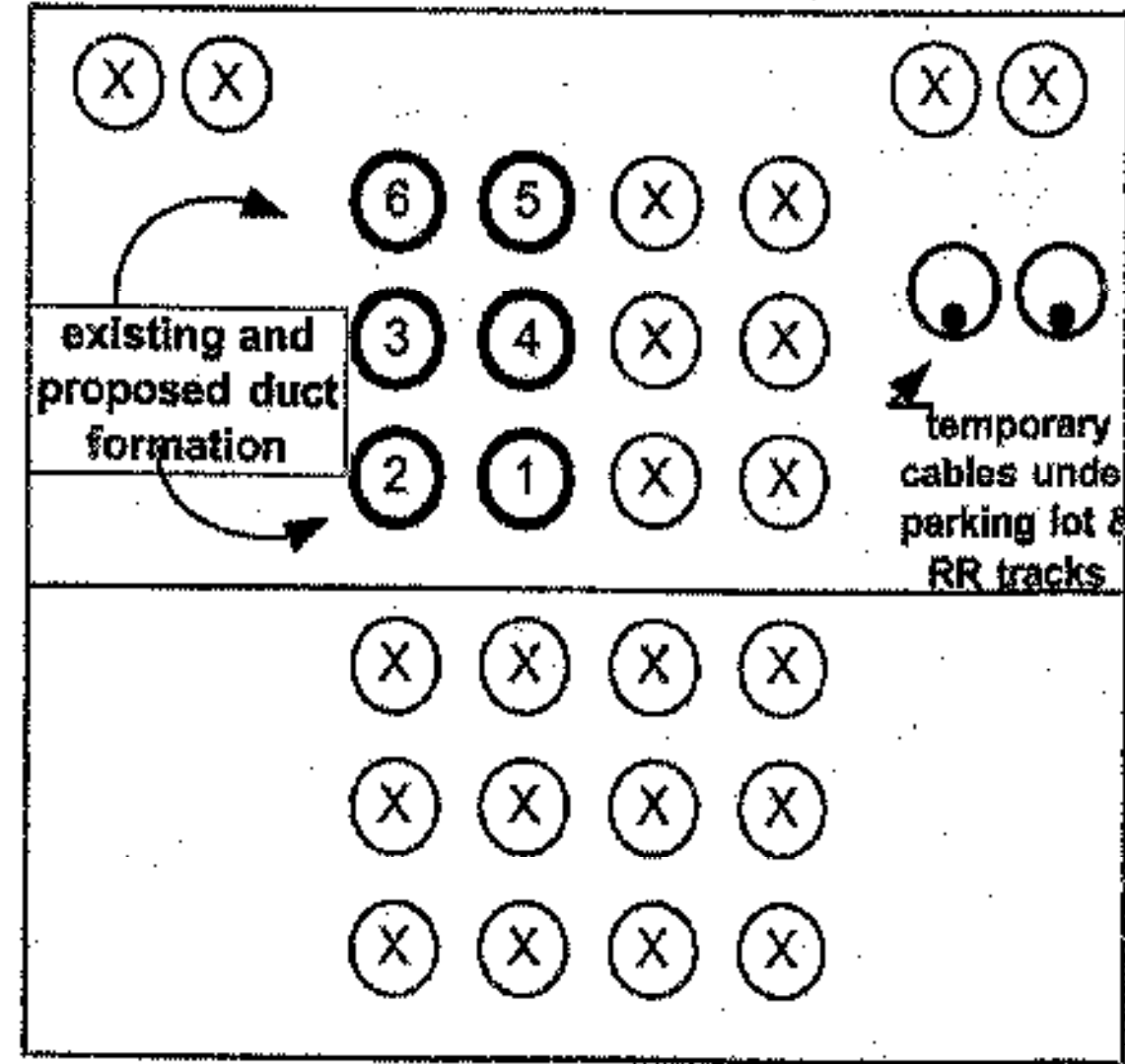
- Place 2ea. - Manhole steps in collar of manhole spaced - 12" (30cm) apart
- Place standard Verizon 30" (76 cm) frame and cover
- Place standard 8' (2.4m) galvanized MH ladder with hooks.

Place - 2ea. MH steps in collar

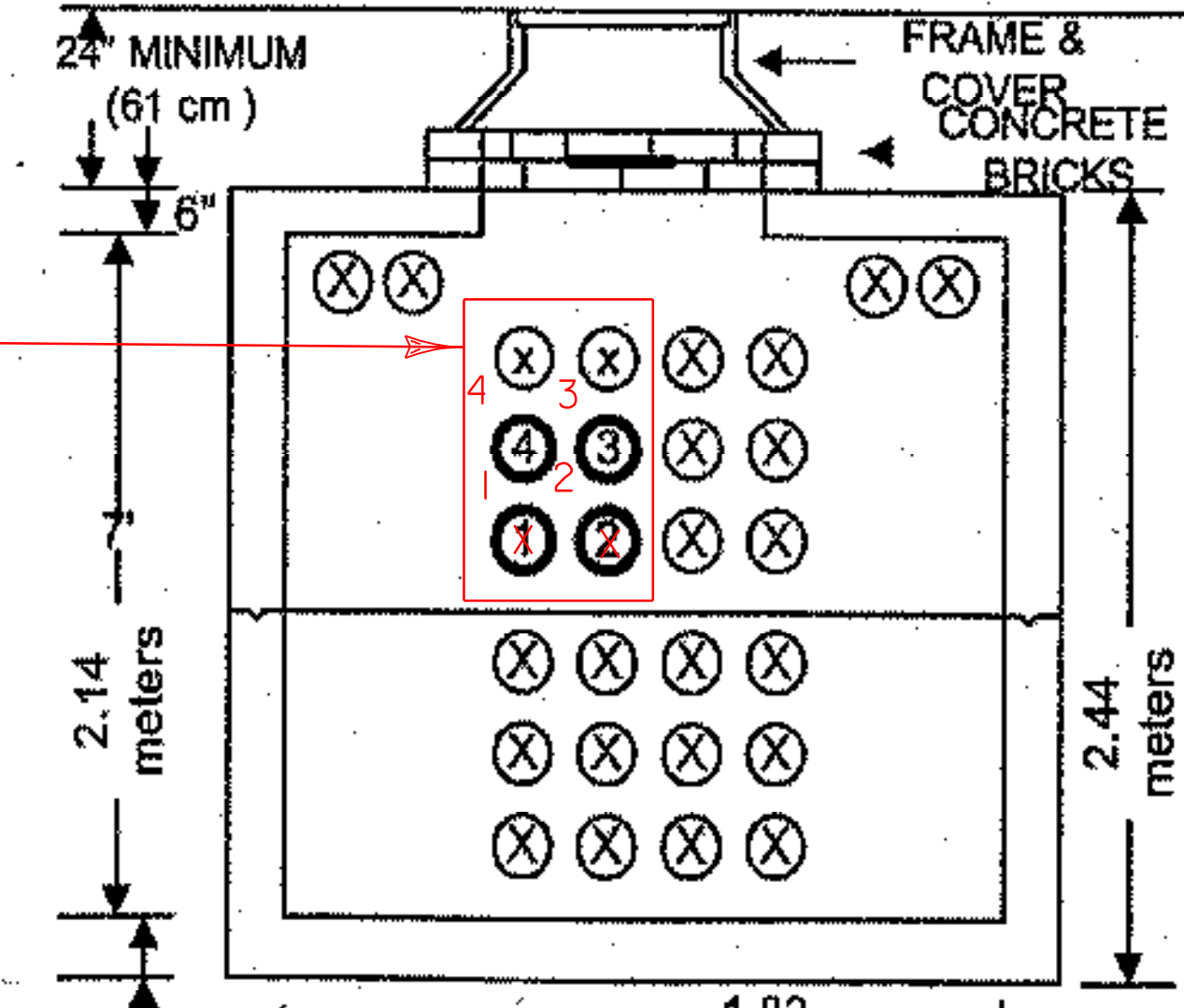


MANHOLE # 27A
12' L x 6' W x 7' H
FACING WEST
FROM INSIDE MANHOLE

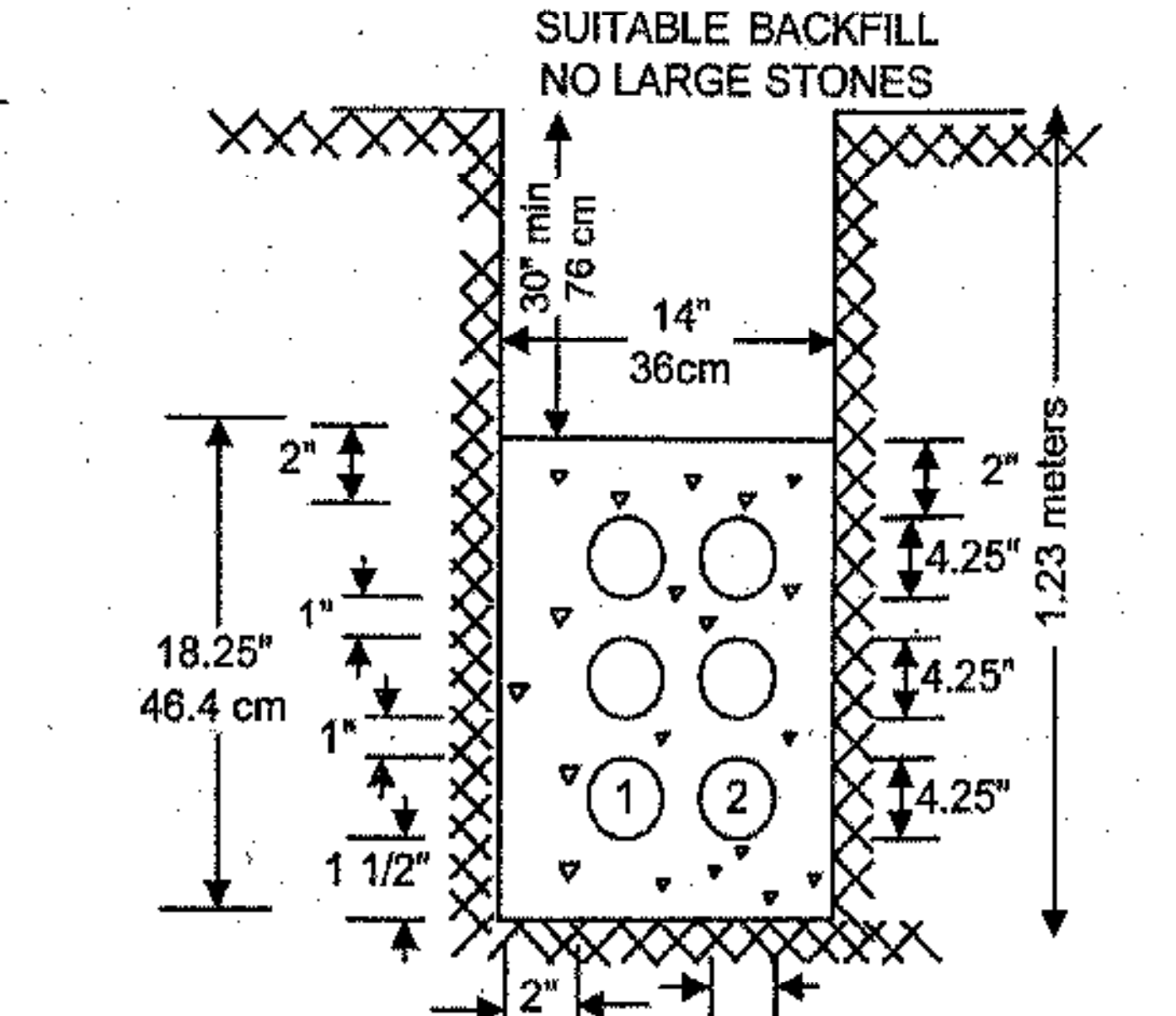
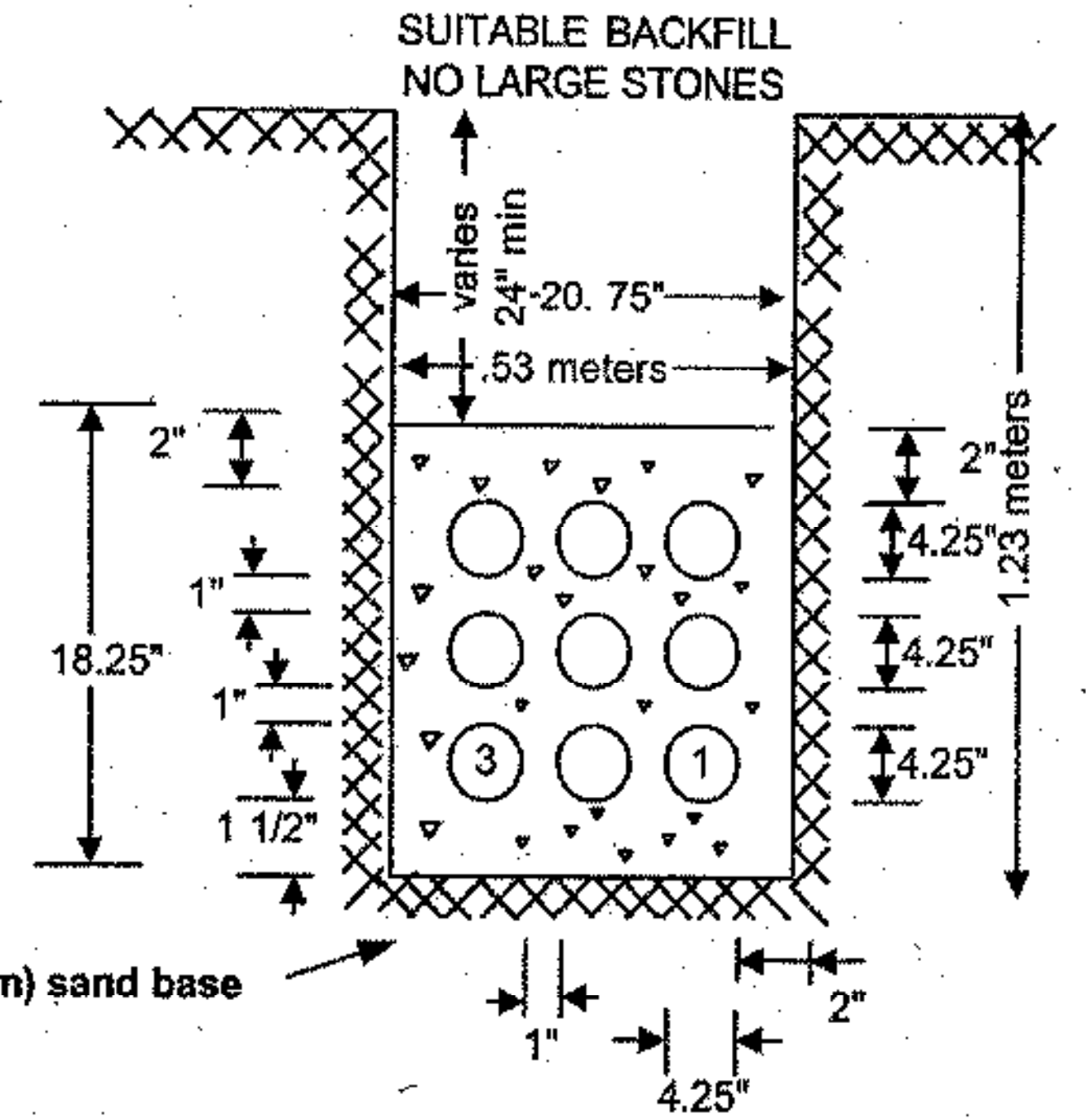
TOP 4 HOLES USED AS PER STEVE ATKINS ORDER ON SITE 06/04/04



MANHOLE # 27
FACING EAST
FROM INSIDE MANHOLE



MANHOLE # 27A
FACING EAST TOWARD NH
FROM INSIDE MANHOLE



2" (5cm) sand base

NOT TO SCALE

1450

3/8/2001