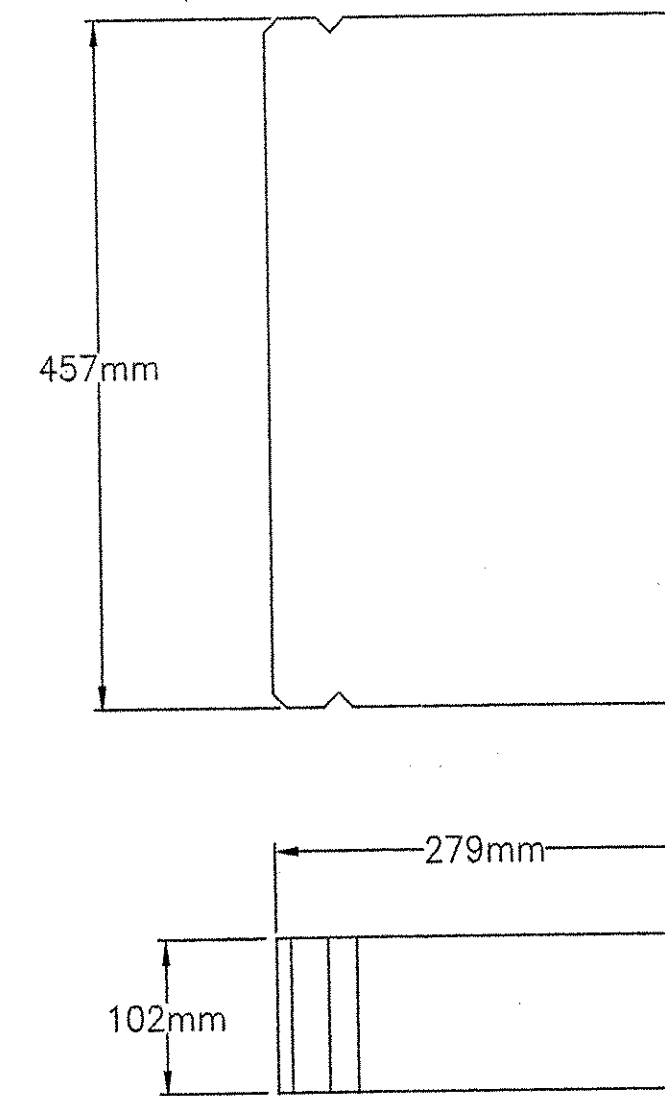
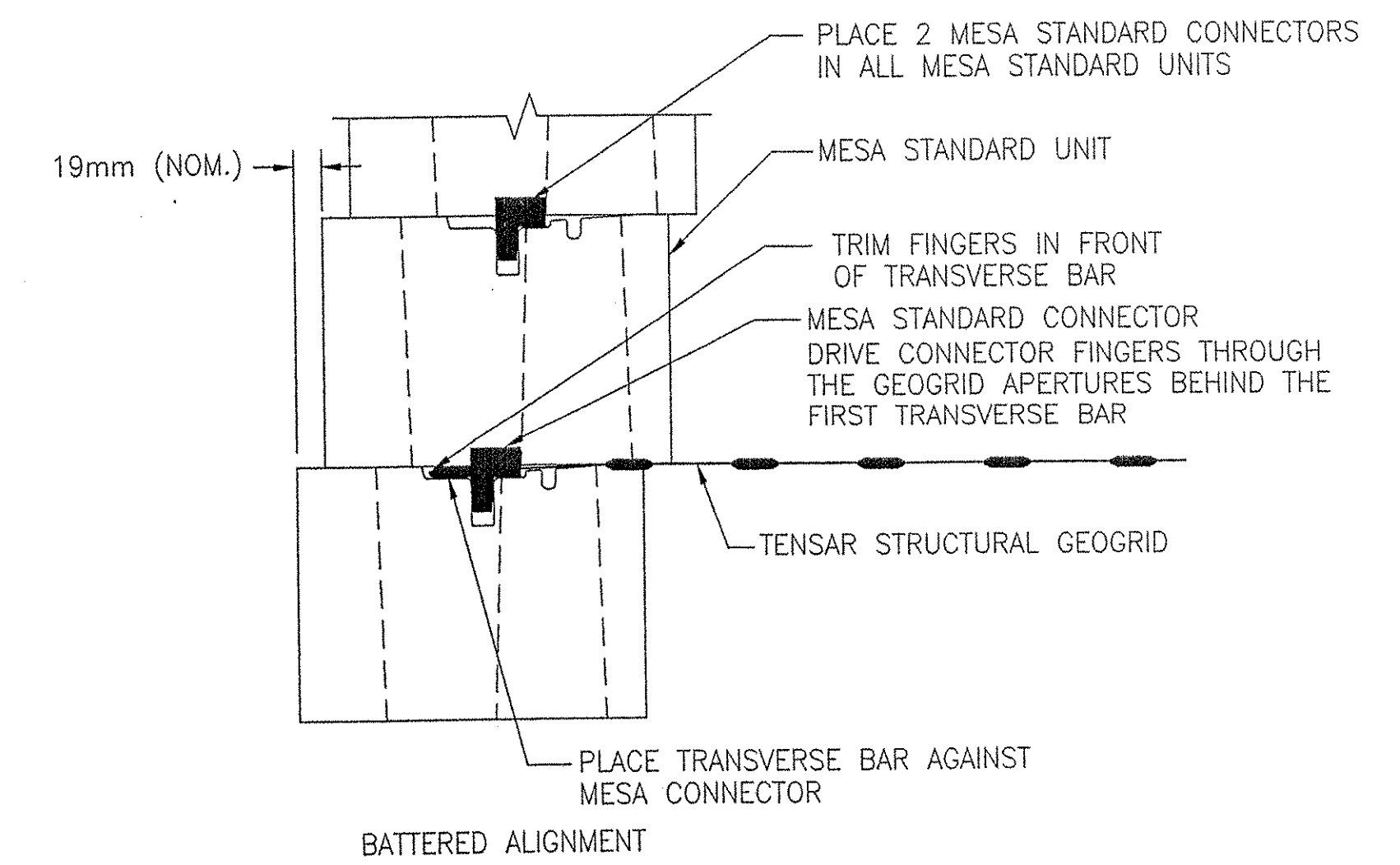


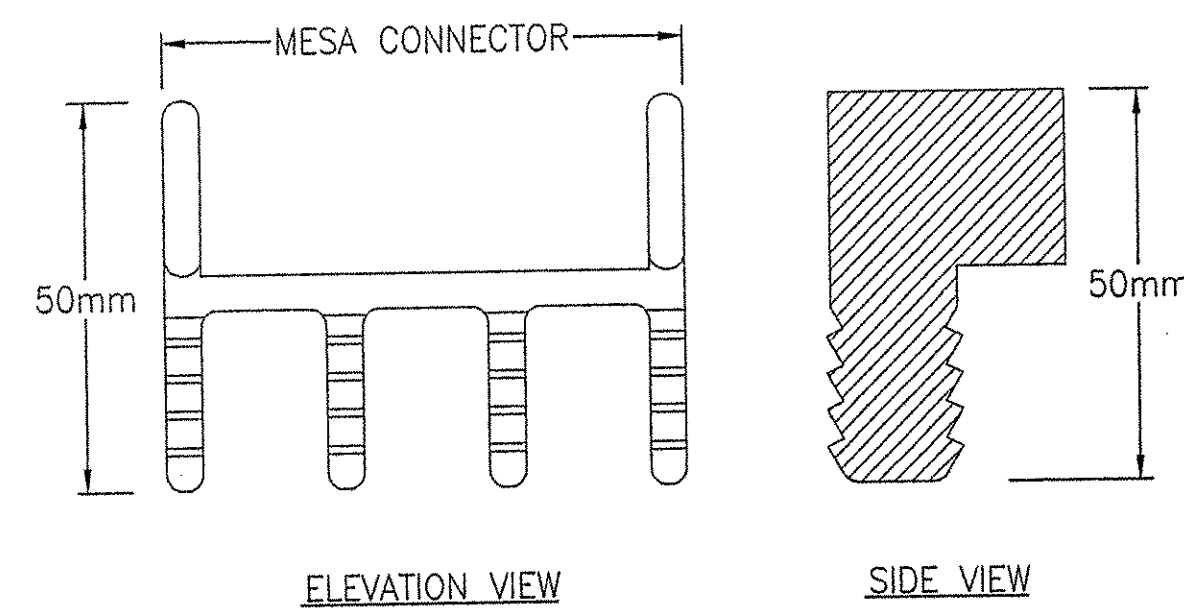
MESA STANDARD BLOCK
NOT TO SCALE



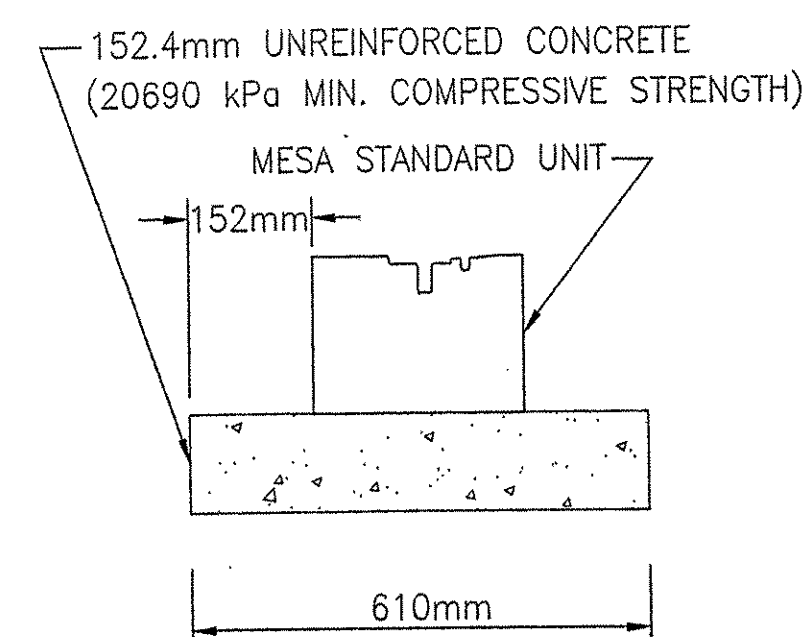
MESA STRAIGHT SIDED CAP UNIT
NOT TO SCALE



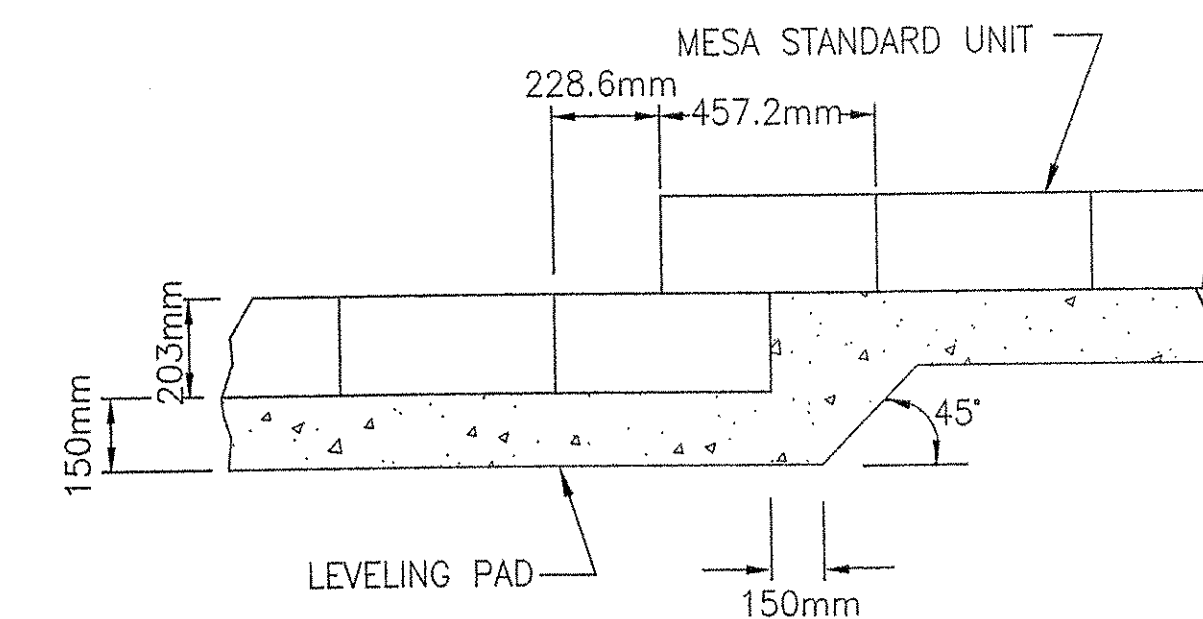
MESA STANDARD UNIT AND GEOGRID CONNECTION DETAIL
NOT TO SCALE



MESA STANDARD CONNECTOR
NOT TO SCALE



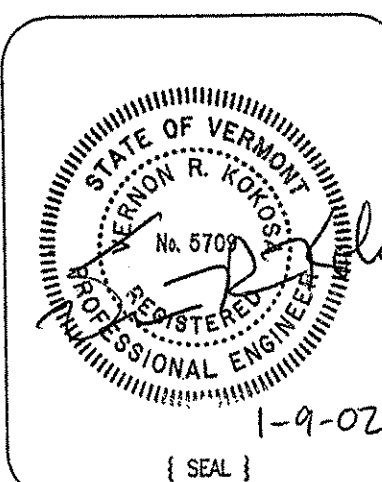
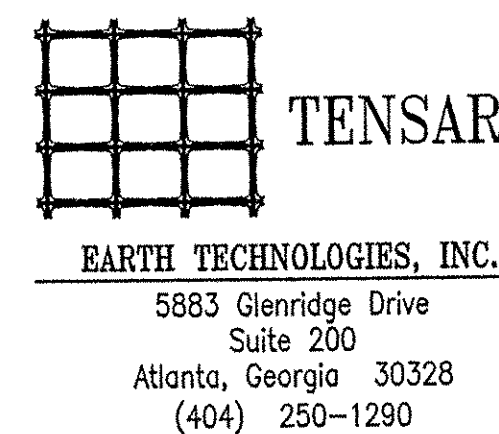
LEVELING PAD DETAIL
NOT TO SCALE



TYPICAL LEVELING PAD STEP DETAIL
NOT TO SCALE

M1087506.DWG

THIS DESIGN IS BASED UPON SPECIFIC PROPERTIES OF TENSAR PRODUCTS (GEOGRIDS, DRAINAGE COMPOSITES AND EROSION MEDIA), WHICH ARE PROPRIETARY TO THE TENSAR CORPORATION 1210 CITIZENS PARKWAY, MORROW CA. 30260. ANY SUBSTITUTION OF THE SPECIFIED PRODUCTS WILL INVALIDATE THIS DESIGN. THIS DRAWING IS BEING FURNISHED FOR USE ON THIS SPECIFIC PROJECT ONLY. ANY PARTY ACCEPTING THIS DOCUMENT DOES SO IN CONFIDENCE AND AGREES THAT IT SHALL NOT BE DUPLICATED WHOLE OR IN PART, NOR DISCLOSED TO OTHERS, WITHOUT THE CONSENT OF TENSAR EARTH TECHNOLOGIES, INC.



REVISIONS \ ISSUE		
0	10/19/01	ISSUED FOR BID
1	12/3/01	ISSUED FOR REVIEW
2	1/7/02	ISSUED FOR BID

Project Number
M10875
Date Drawn
10/19/01
Scale
As Shown
Designed by
WL
Drawn by
KJK
Checked by
CV

VERMONT ROUTE - 9
BRATTLEBORO, VERMONT

TYPICAL
DETAILS

Sheet Number
6 of 7

PROJECT NO. NH BRF 012-1(33) Sheet 143 of 145

COPYRIGHT 2001, TENSAR EARTH TECHNOLOGIES, INC.