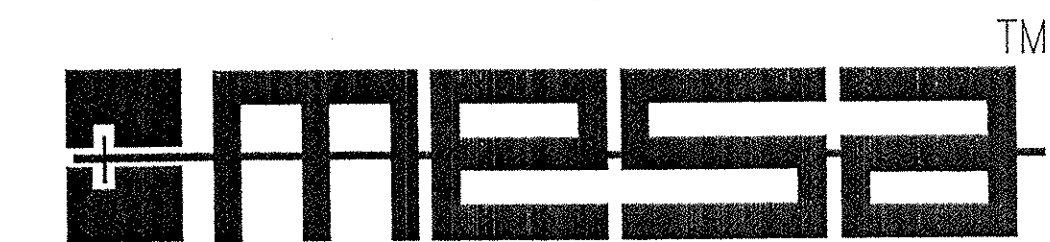
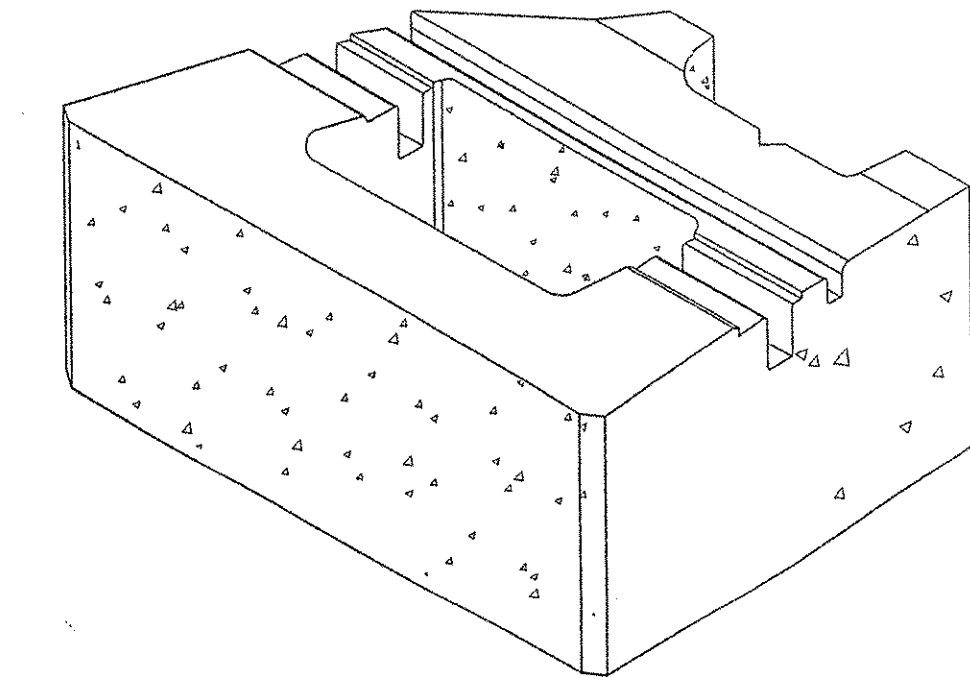


Tensar  
Earth Technologies, Inc.

CONSTRUCTION DRAWINGS  
Prepared For



# VERMONT ROUTE - 9

BRATTLEBORO,

VERMONT

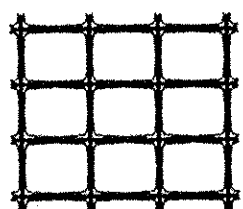
## INDEX

SHEET	DESCRIPTION
1.	Title Sheet
2.	Construction Notes
3.	Plan View
4.	Elevation View
5.	Typical Cross-Section
6.	Typical Details
7.	Typical Details

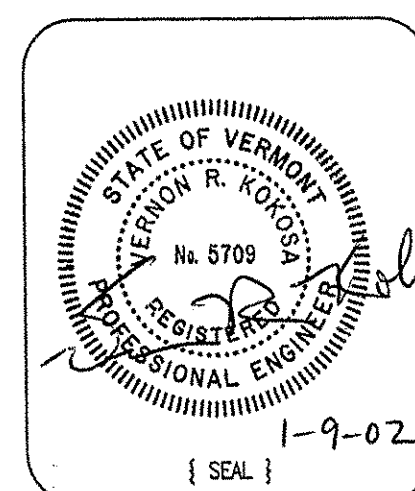
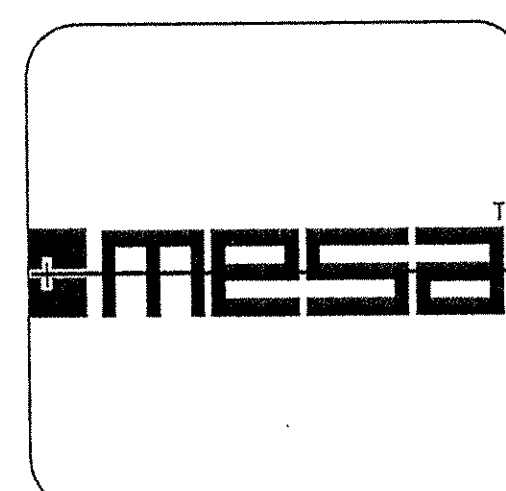
M1087501.DWG

THIS DESIGN IS BASED UPON SPECIFIC PROPERTIES OF TENSAR PRODUCTS (GEOGRIDS, DRAINAGE COMPOSITES AND EROSION MEDIA), WHICH ARE PROPRIETARY TO THE TENSAR CORPORATION 1210 CITIZENS PARKWAY, MORROW GA. 30260. ANY SUBSTITUTION OF THE SPECIFIED PRODUCTS WILL INVALIDATE THIS DESIGN. THIS DRAWING IS BEING FURNISHED FOR USE ON THIS SPECIFIC PROJECT ONLY. ANY PARTY ACCEPTING THIS DOCUMENT DOES SO IN CONFIDENCE AND AGREES THAT IT SHALL NOT BE DUPLICATED WHOLE OR IN PART, NOR DISCLOSED TO OTHERS, WITHOUT THE CONSENT OF TENSAR EARTH TECHNOLOGIES, INC.

COPYRIGHT 2001, TENSAR EARTH TECHNOLOGIES, INC.



**TENSAR**  
EARTH TECHNOLOGIES, INC.  
5883 Glenridge Drive  
Suite 200  
Atlanta, Georgia 30328  
(404) 250-1290



REVISIONS \ ISSUE			
0	10/19/01	ISSUED FOR BID	
1	12/3/01	ISSUED FOR REVIEW	
2	1/7/02	ISSUED FOR BID	<i>al</i>

Project Number M10875
Date Drawn 10/19/01
Scale As Shown
Designed by WL
Drawn by KJK
Checked by <i>al</i>

**VERMONT ROUTE - 9**

BRATTLEBORO, VERMONT

**TITLE SHEET**

Sheet Number  
**1 of 7**