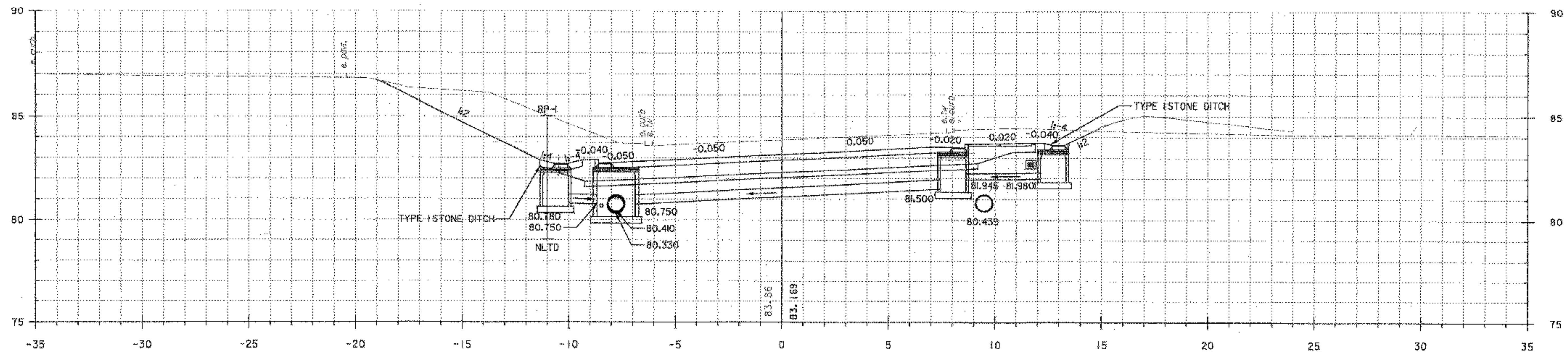


30+190.000



30+180.000

PROJECT:	BRATTLEBORO	PROJECT NO.:	NH 010-2(2)
DESIGN FILE NAME:	...z270xs2.dgn	PLOT DATE:	09/23/2002
IPARM FILE NAME:			
VT ROUTE 9			
FROM STA: 30+180.000 TO STA: 30+190.000 SHEET: 104 OF 145			