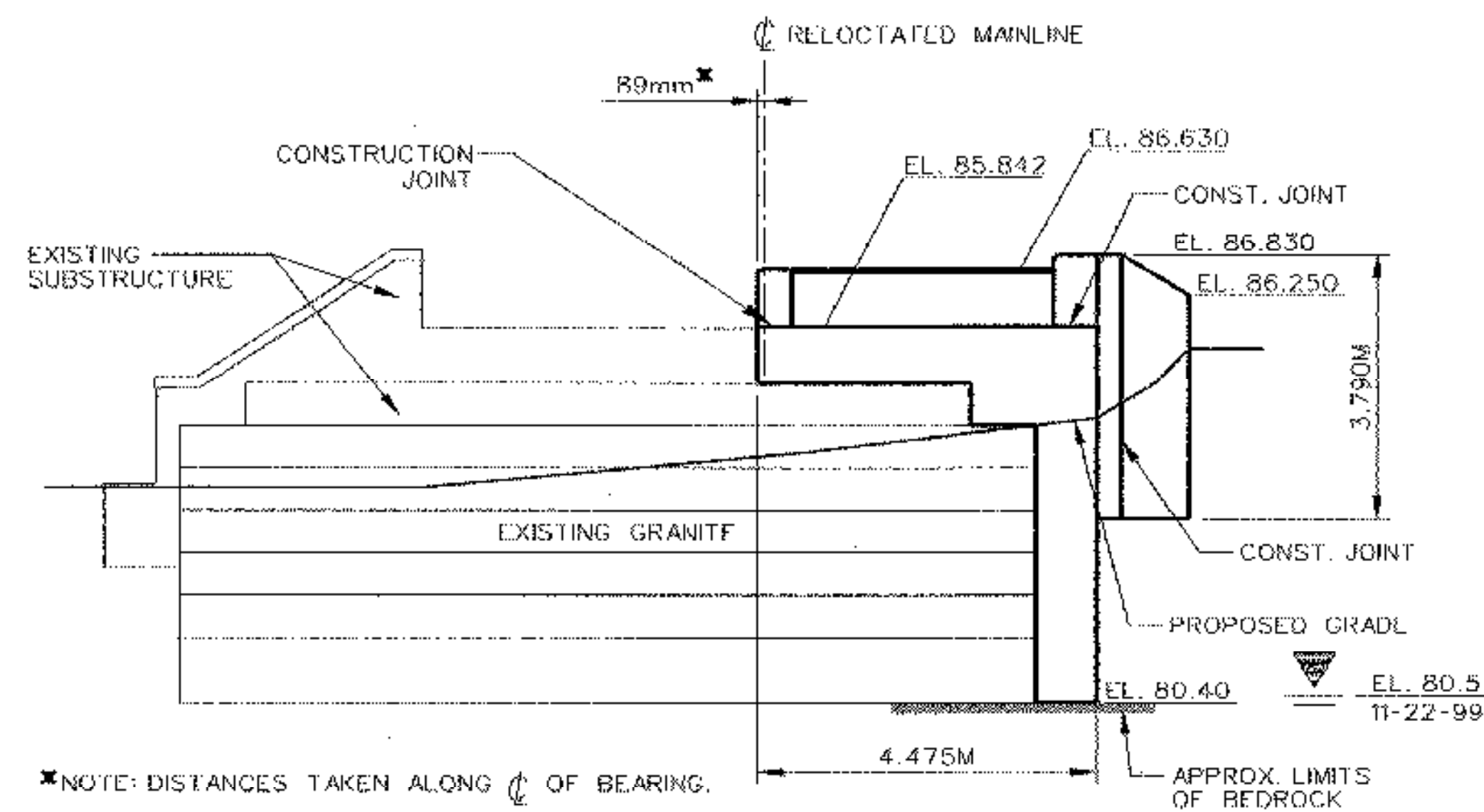
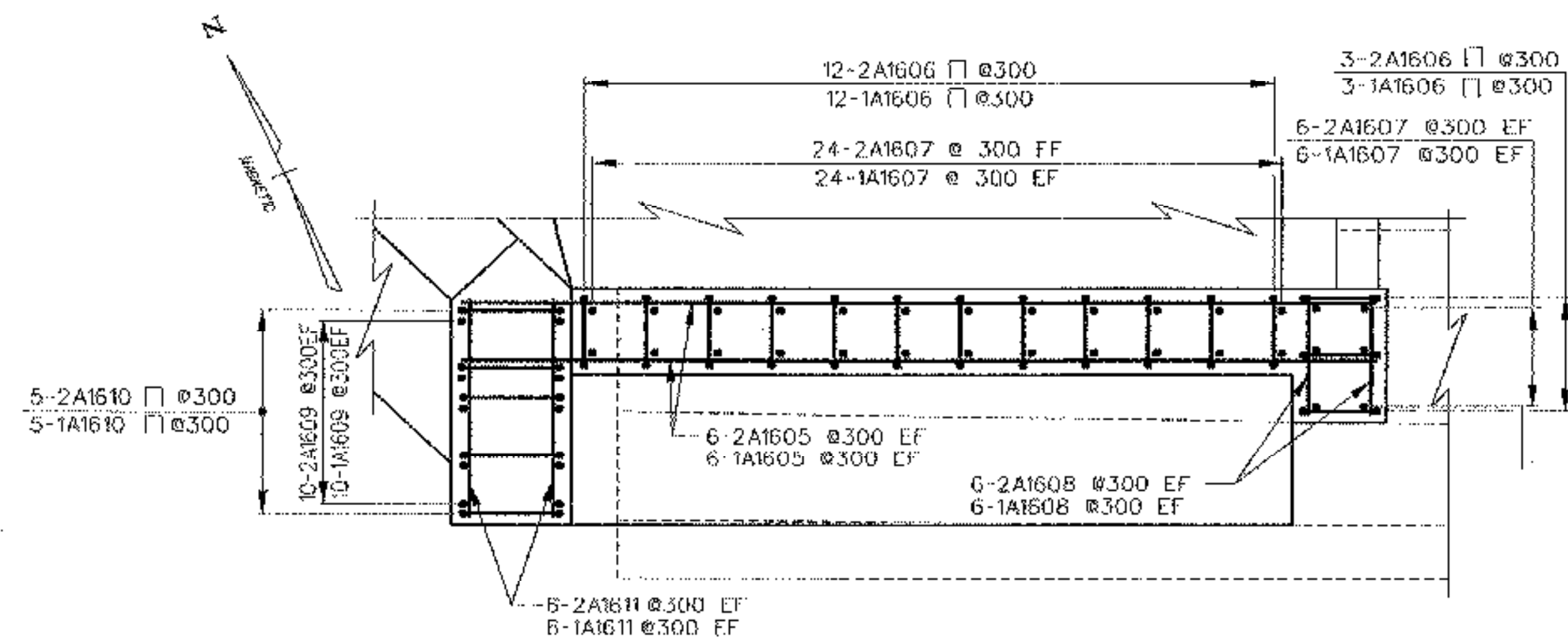


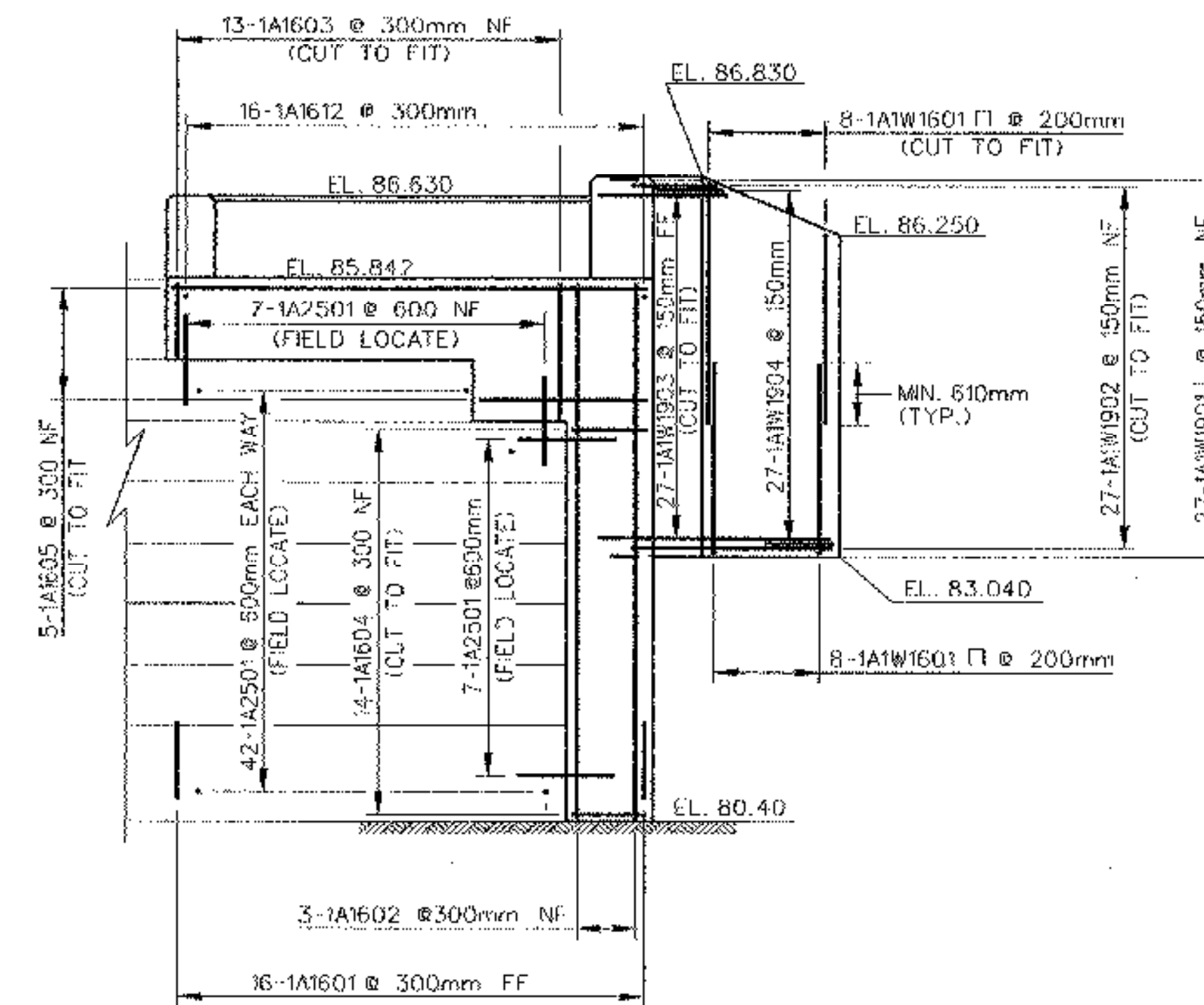
**PLAN SOUTH ABUTMENT SARGENT BROOK BRIDGE**  
SCALE 1:75



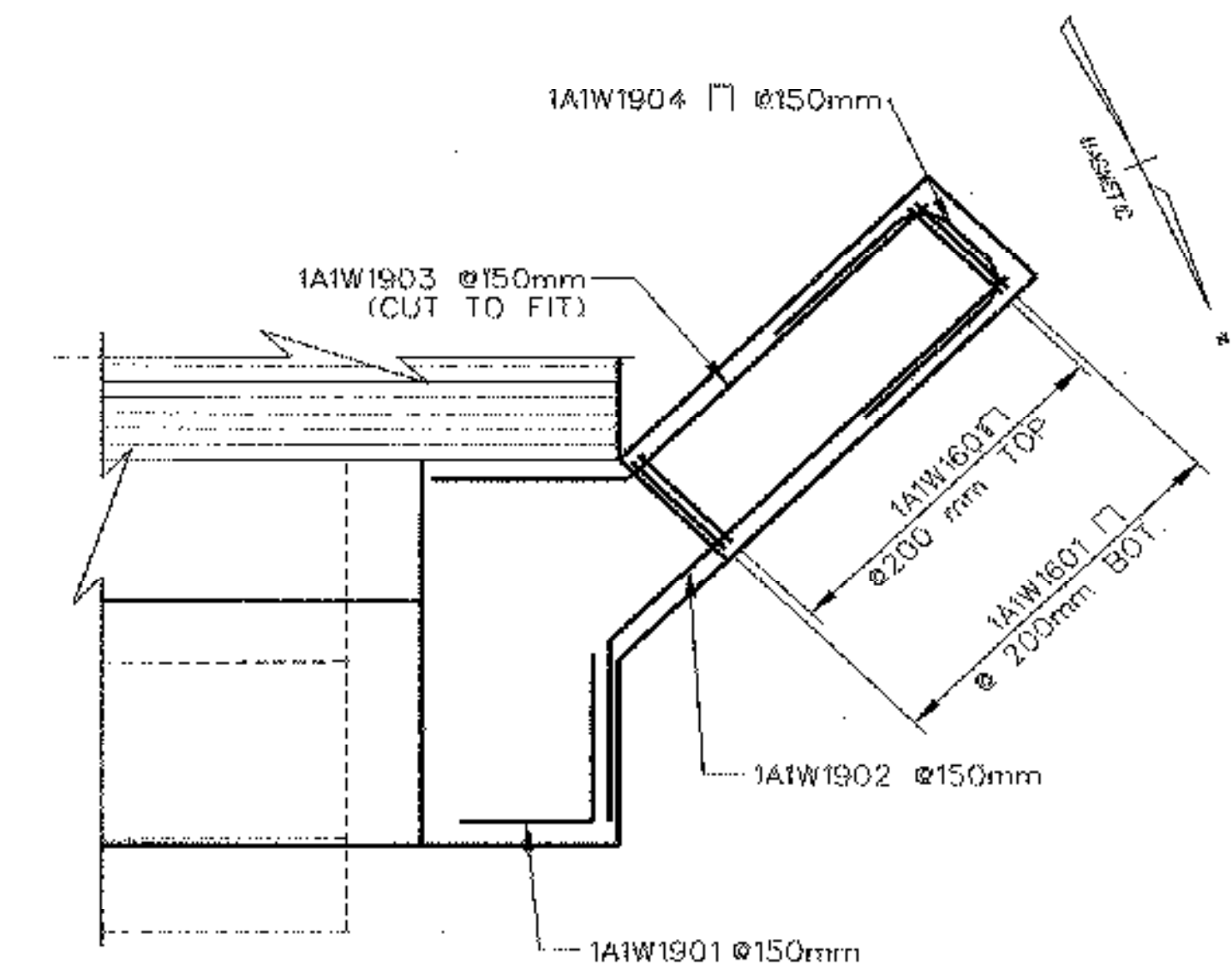
**SOUTH ABUTMENT ELEVATION SARGENT BROOK BRIDGE**  
SCALE 1:75



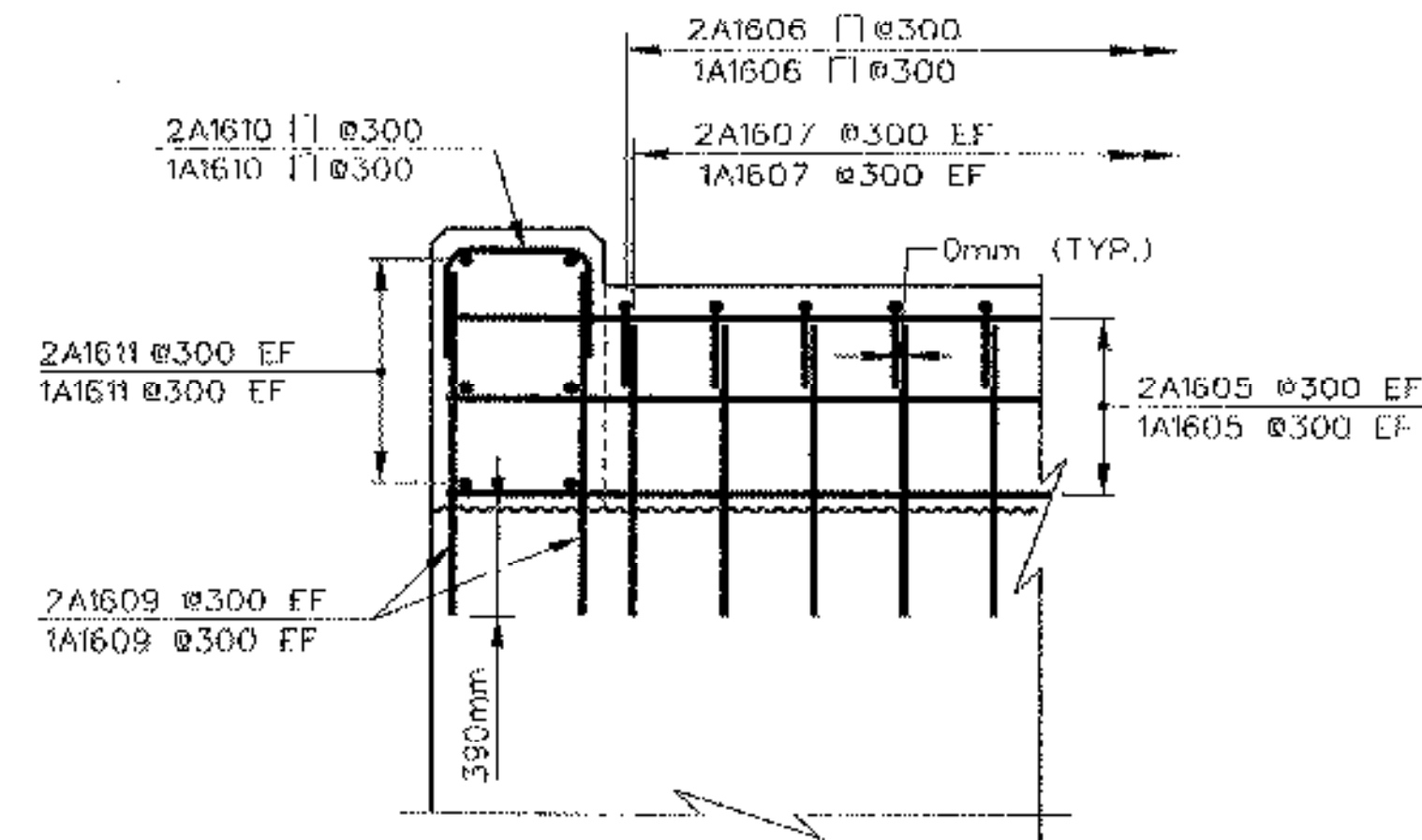
**NORTH ABUTMENT CURTAINWALL & BACKWALL REINFORCEMENT PLAN (SOUTH ABUTMENT - OPPOSITE HAND)**  
SCALE 1:25



**SARGENT BROOK BRIDGE SOUTH ABUTMENT REINFORCEMENT ELEVATION**  
SCALE 1:50



**SOUTH WEST WINGWALL REINFORCEMENT PLAN**  
SCALE 1:20



**CURTAIN WALL REINFORCEMENT SECTION**  
SCALE 1:25

STATE OF VERMONT AGENCY OF TRANSPORTATION		
Town Of	BRATTLEBORO	Bridge No. 62.51
Highway No.	VT. ROUTE 9	Log Sta.
		Surv. Sta.
SARGENT BROOK		
SOUTH ABUTMENT PLAN, ELEVATION AND DETAILS		
Designed By	LM	Drawn By LRD/DHL
Checked By	GJB	Bridge Design Supervisor JHR
	Date	Date
PROJECT	BRATTLEBORO	PROJECT NO. NH 010-2(2)
I.G.C. Info.		
Bridge Sheet No. 4		Sheet 93 of 145