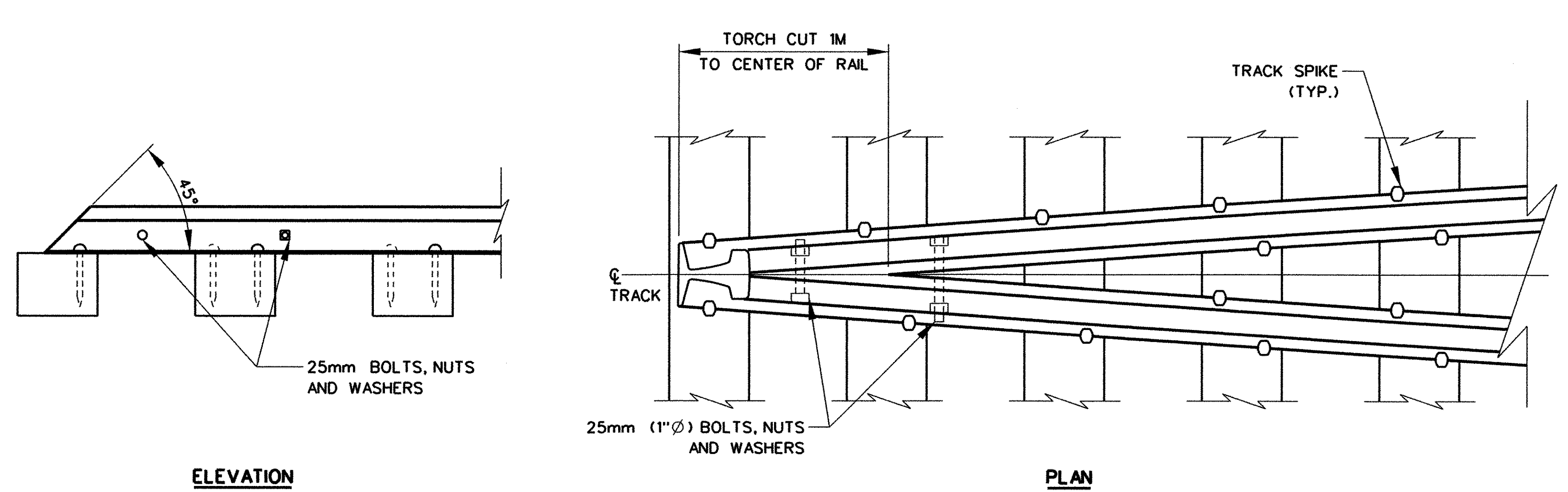


- TIE SIZES:**
- 2 - 9'-0"
 - 2 - 9'-6"
 - 2 - 10'-0"
 - 2 - 10'-6"
 - 2 - 11'-0"
 - 2 - 11'-6"
 - 2 - 12'-0"
 - 2 - 12'-6"
 - 2 - 13'-0"
 - 2 - 13'-6"



NOTE: WORK SHOWN HERE IS TO BE PERFORMED BY OTHERS UNDER RAILROAD FORCE ACCOUNT.

**STATE OF VERMONT
 AGENCY OF TRANSPORTATION**

Town Of	BRATTLEBORO	Bridge No.	62.56
Highway No.	VT. ROUTE 9	Log Sta.	
		Surv. Sta.	
ROUTE 9 BRIDGE			
BRIDGE APPROACH TIMBERS & GUARD RAIL			
Designed By	JHR	Drawn By	LRD
Checked By	JHR	Bridge Design Supervisor	JHR
	Date		Date
PROJECT	BRATTLEBORO	PROJECT NO.	NH 010-2(2)
I.G.C. Info.			
Bridge Sheet No. 16		Sheet 84 of 145	