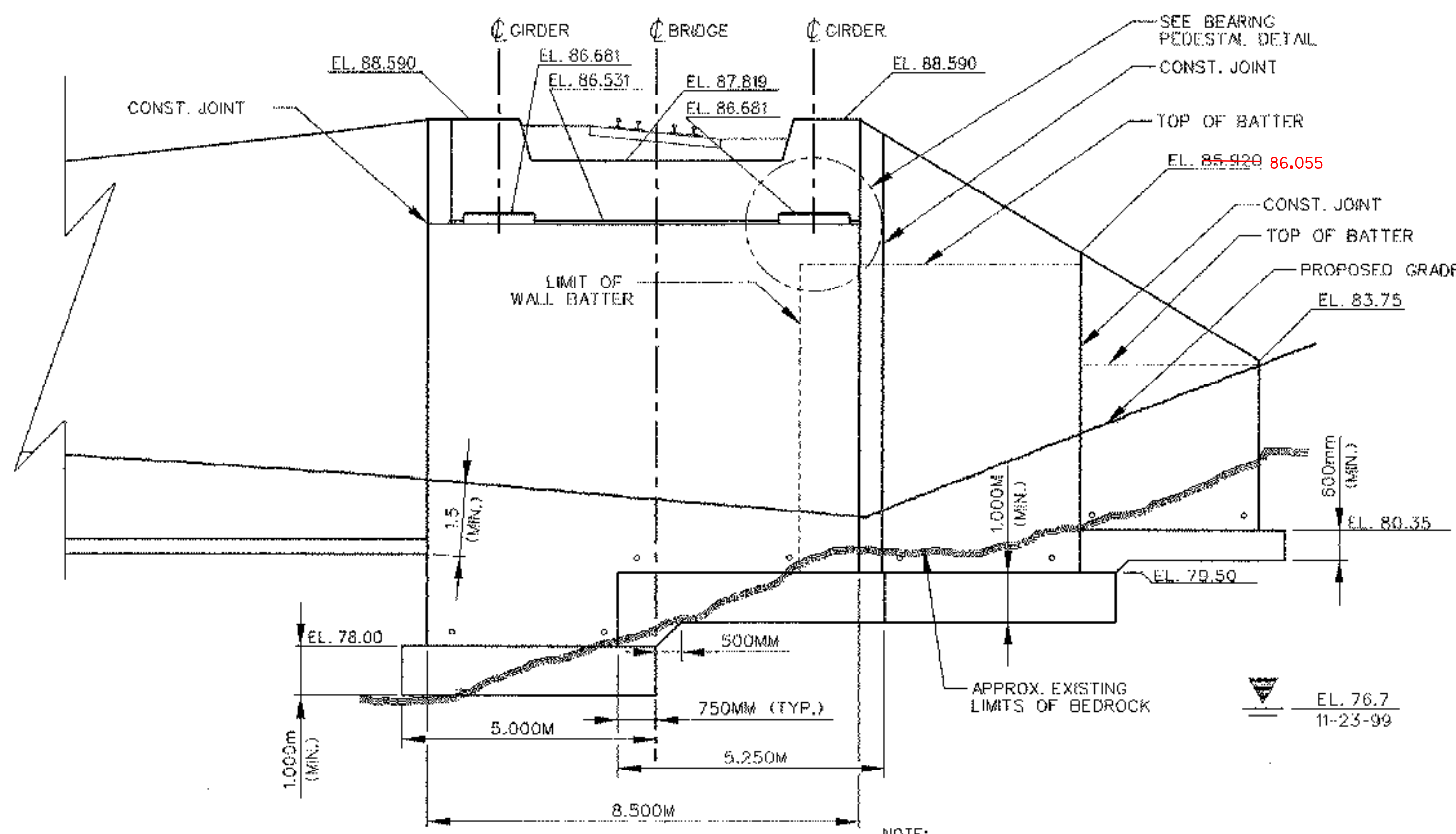
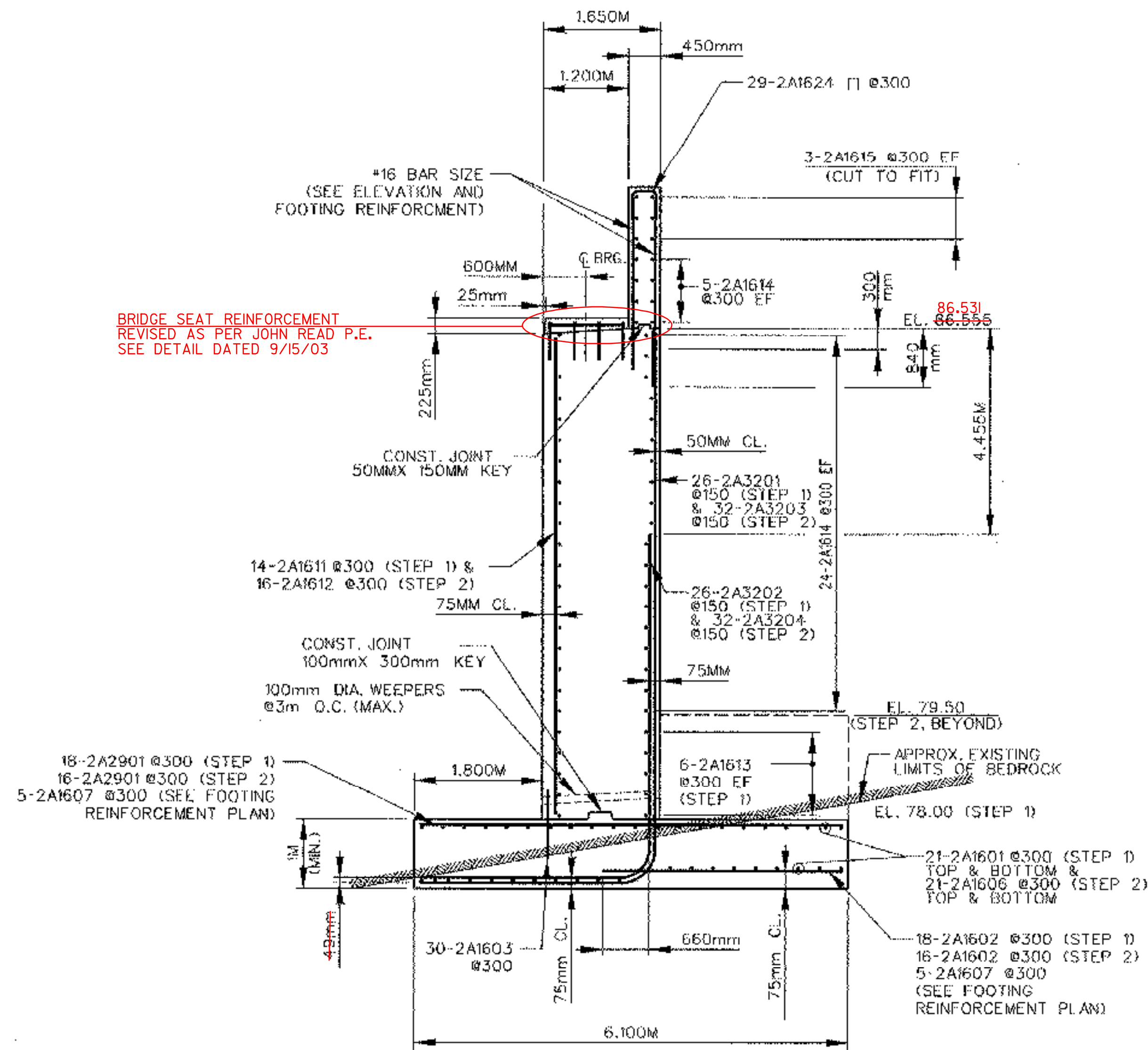


**NORTH ABUTMENT PLAN**  
SCALE 1:75

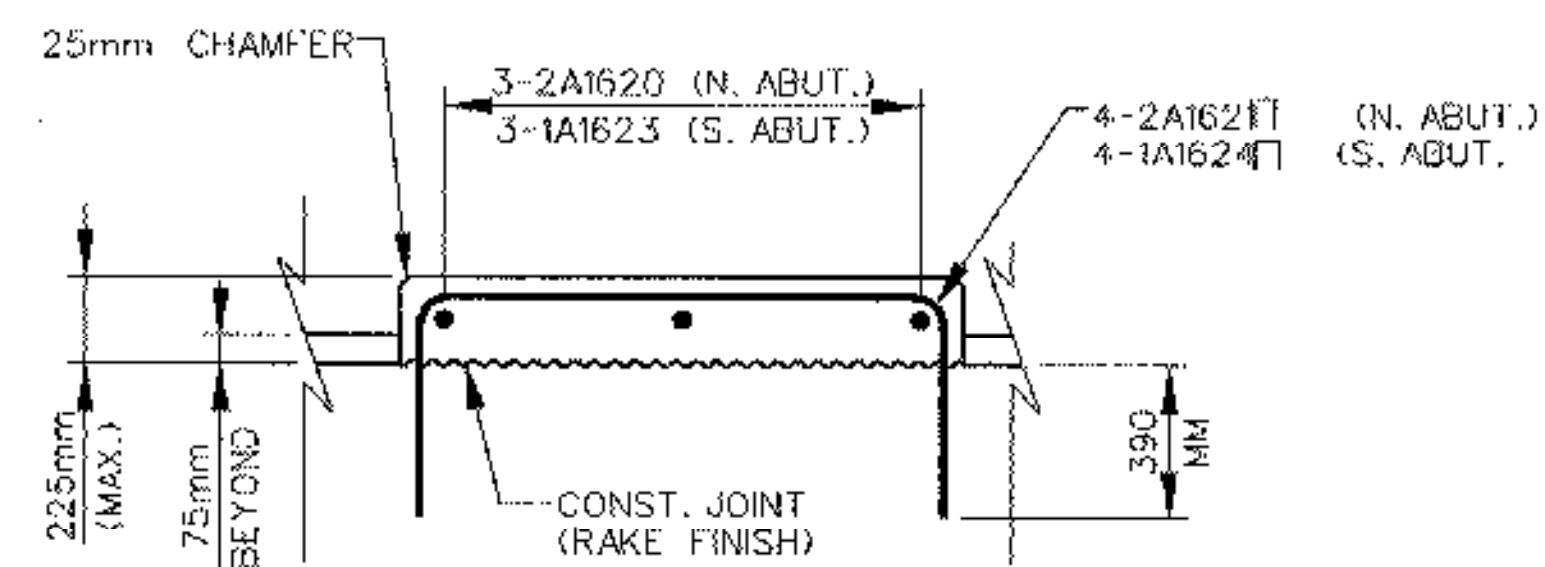


**NORTH ABUTMENT ELEVATION**  
SCALE 1:75

NOTE:  
FOR PARAPET DETAIL  
SEE SHEET 73 OF 145



**TYPICAL NORTH ABUTMENT SECTION**  
SCALE 1:50



**BEARING PEDESTAL DETAIL**  
SCALE 1:20

STATE OF VERMONT AGENCY OF TRANSPORTATION			
Town Of	BRATTLEBORO	Bridge No.	62.56
Highway No.	VT. ROUTE 9	Log Sta.	
		Surv. Sta.	
ROUTE 9 BRIDGE			
NORTH ABUTMENT PLAN, ELEVATION & SECTIONS			
Designed By	LM	Drawn By	DHL/LRD
Checked By	GJB	Bridge Design Supervisor	JHR
		Date	
PROJECT	BRATTLEBORO	PROJECT NO.	NH 010-2(2)
I.G.C. Info.			
Bridge Sheet No. 9			Sheet 77 of 145