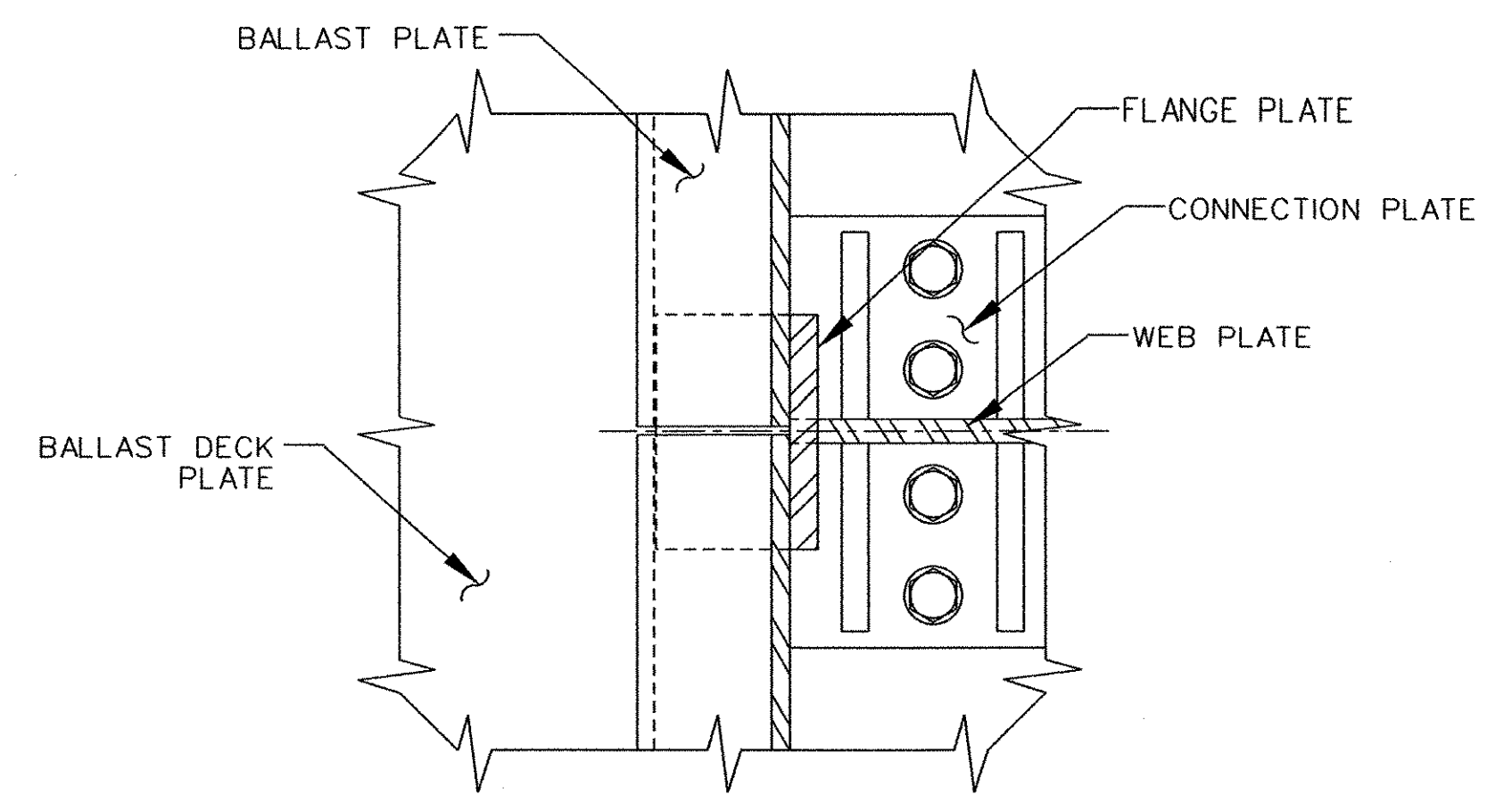
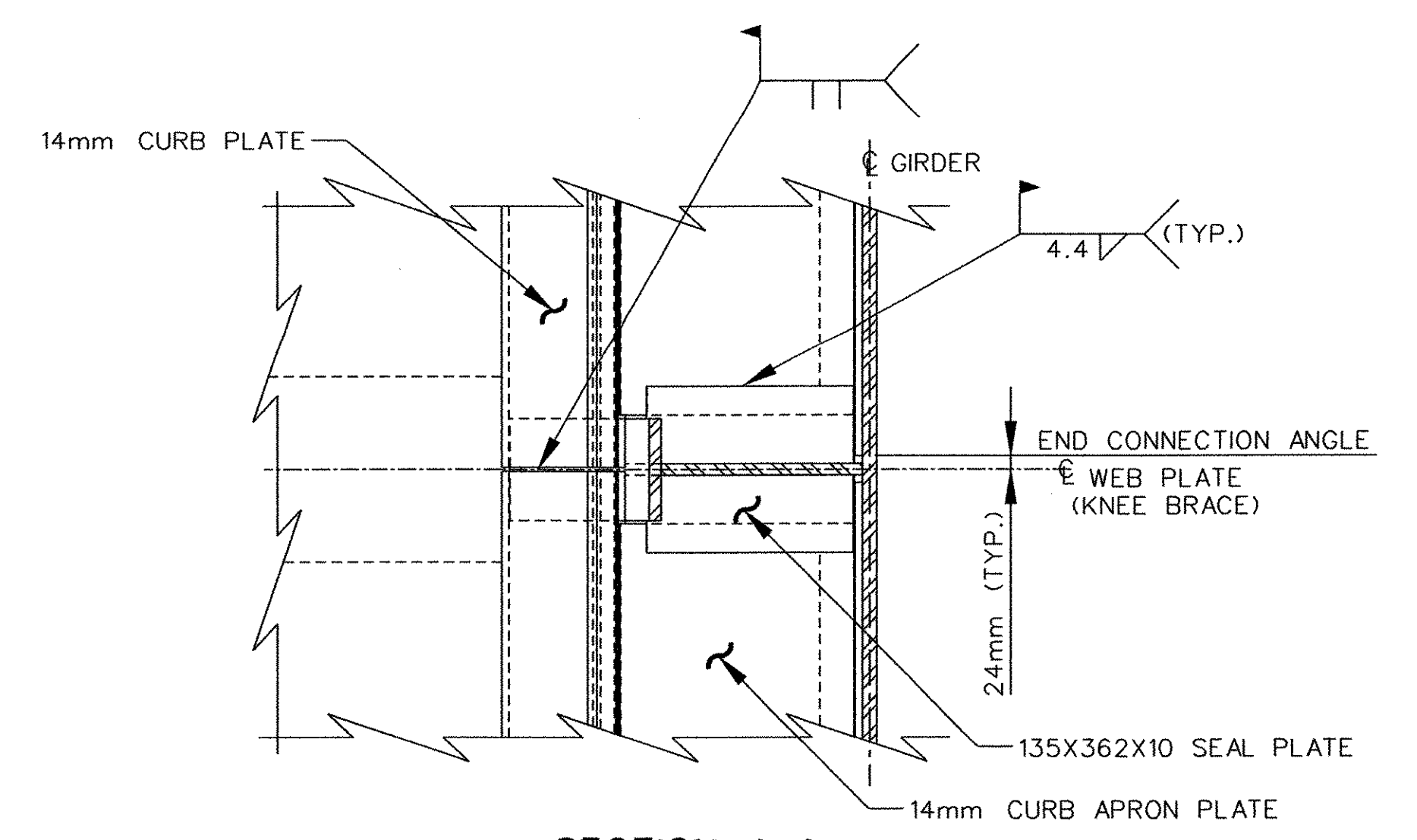


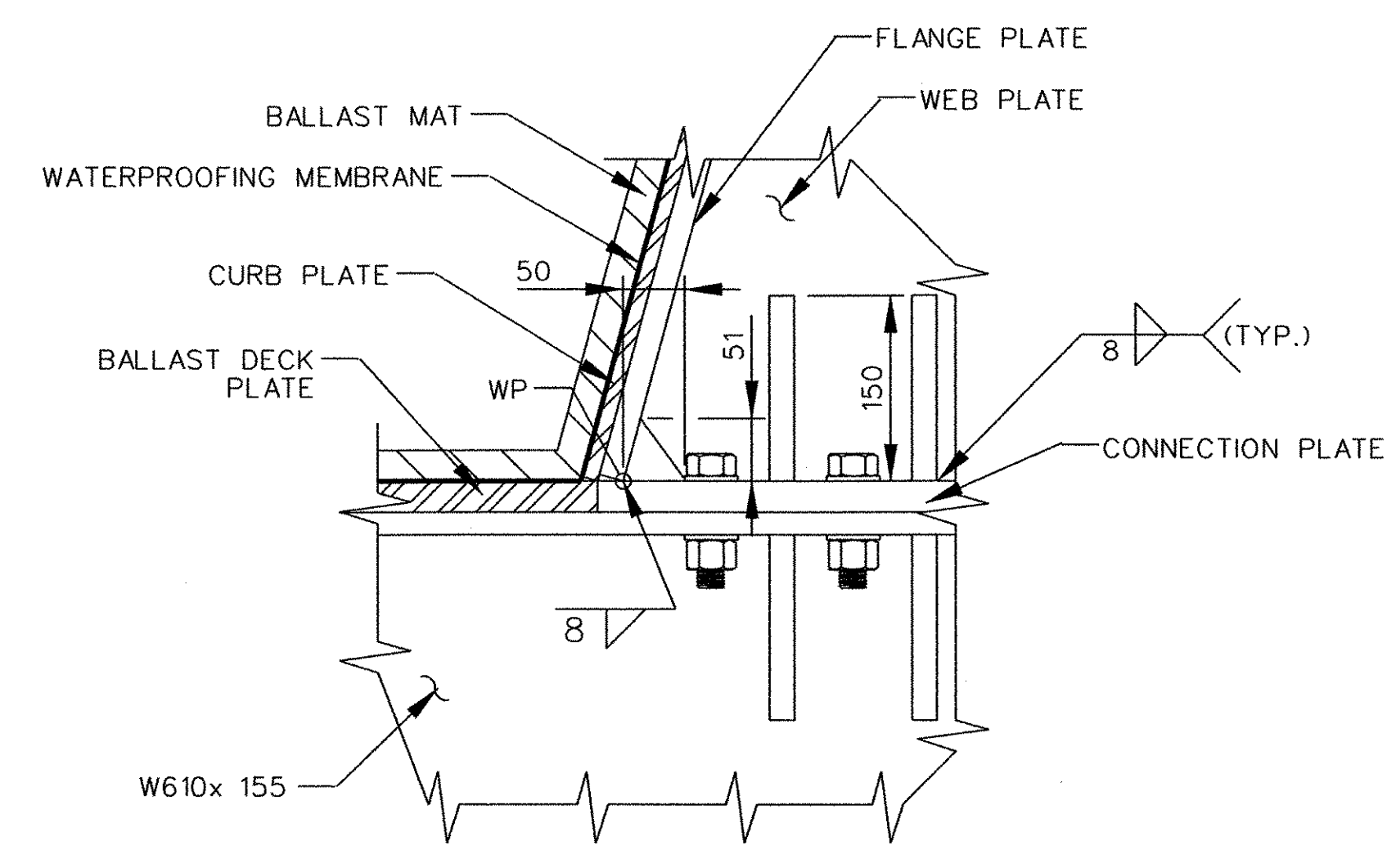
**SECTION 1-1**  
SCALE: 1:10



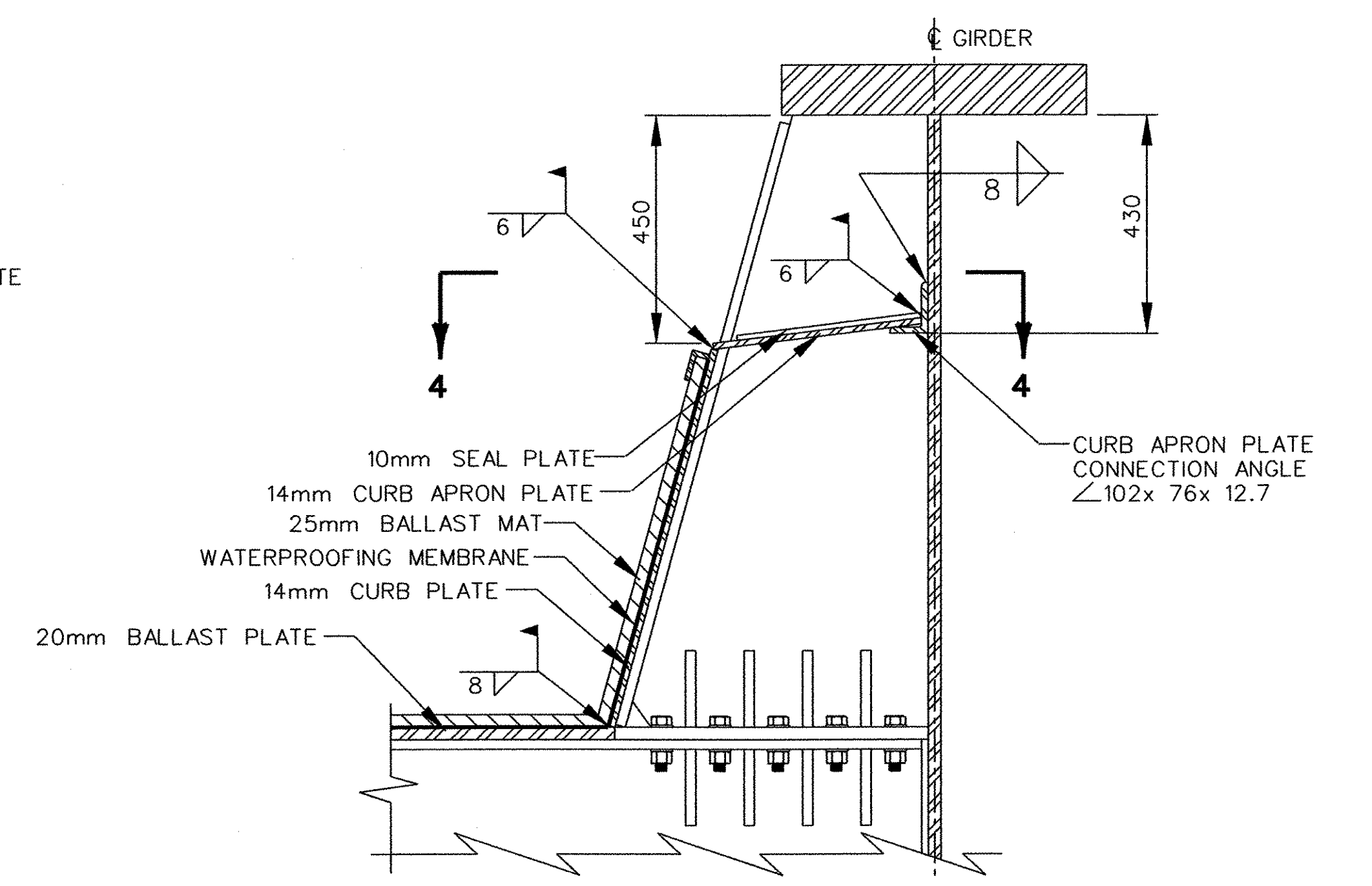
**SECTION 3-3**  
SCALE: 1:5



**SECTION 4-4**  
SCALE: 1:10

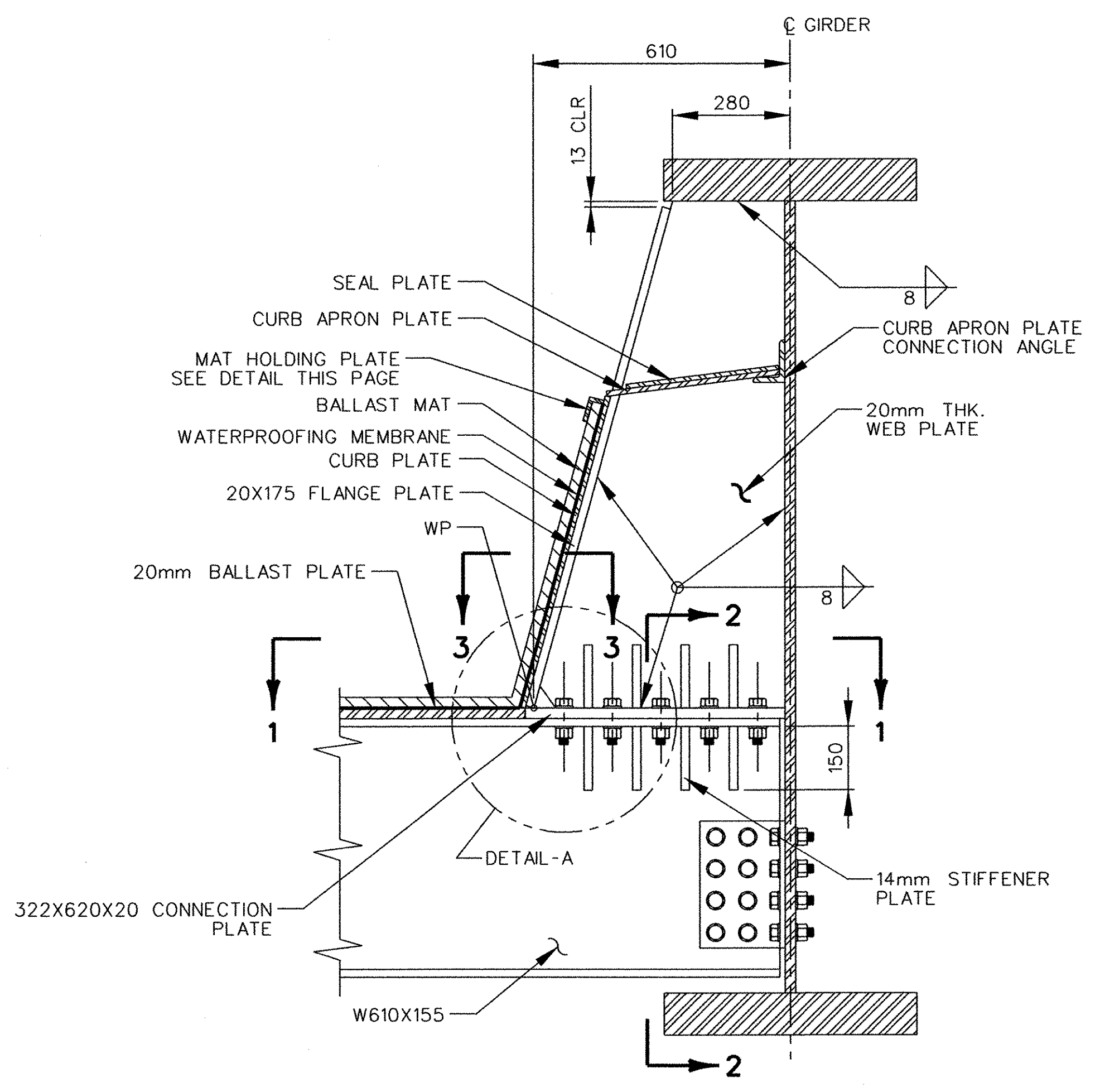


**DETAIL-A**  
SCALE: 1:5

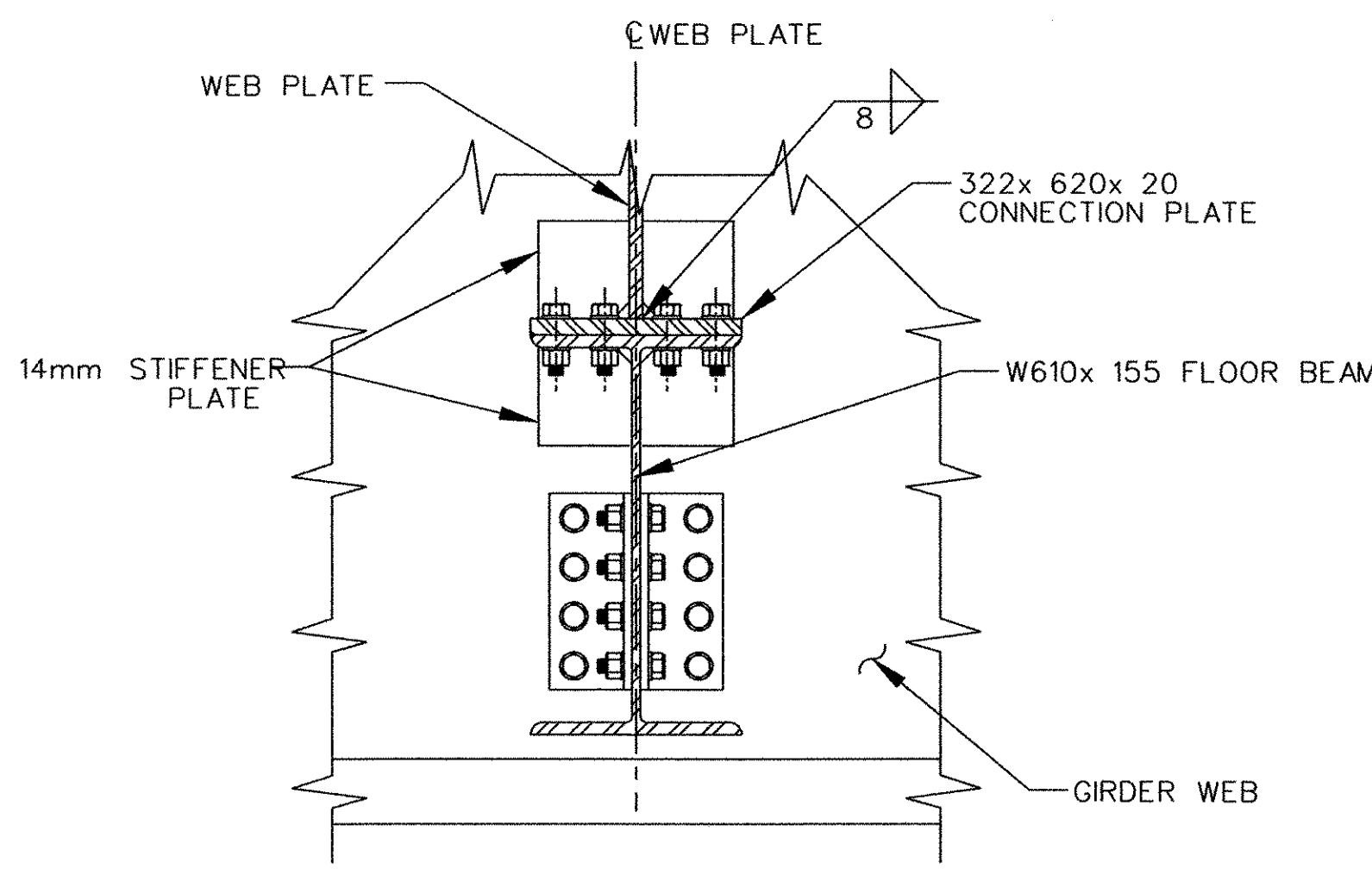


**CURB PLATE CONNECTION DETAIL**  
SCALE: 1:10

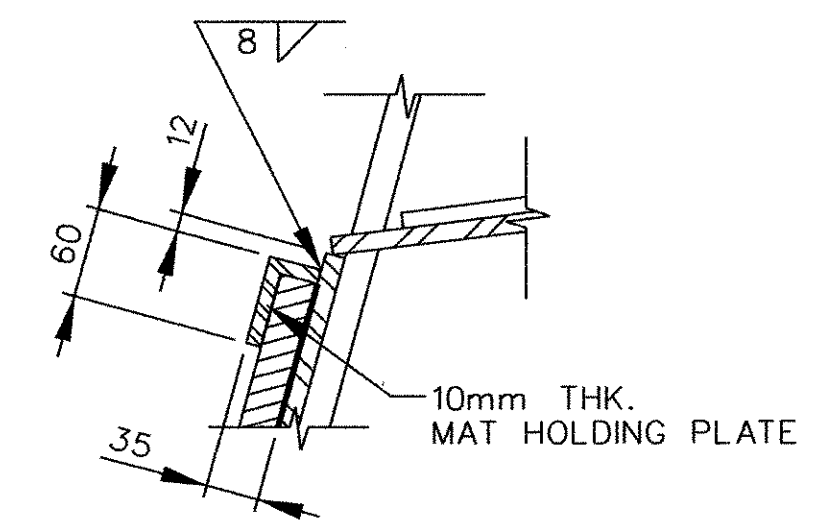
NOTE:  
FOR FASTENERS SEE NOTE 3 ON SHEET 7 OF 145



**KNEE BRACE CONNECTION DETAIL**  
SCALE: 1:10



**SECTION 2-2**  
SCALE: 1:10



**MAT HOLDING PLATE DETAIL**  
SCALE: 1:5

Plot Date: 10-10-2002  
File: rt9br152

<b>STATE OF VERMONT AGENCY OF TRANSPORTATION</b>		
Town Of	BRATTLEBORO	Bridge No. 62.56
Highway No.	VT. ROUTE 9	Log Sta. Surv. Sta.
ROUTE 9 BRIDGE		
KNEEBRACE CONNECTION & DETAILS		
Designed By	LM	Drawn By DHL/MER
Checked By	GJB Date	Bridge Design Supervisor JHR Date
PROJECT	BRATTLEBORO	PROJECT NO. NH 010-2(2)
I.G.C. Info.	Bridge Sheet No. 4	Sheet 72 of 145