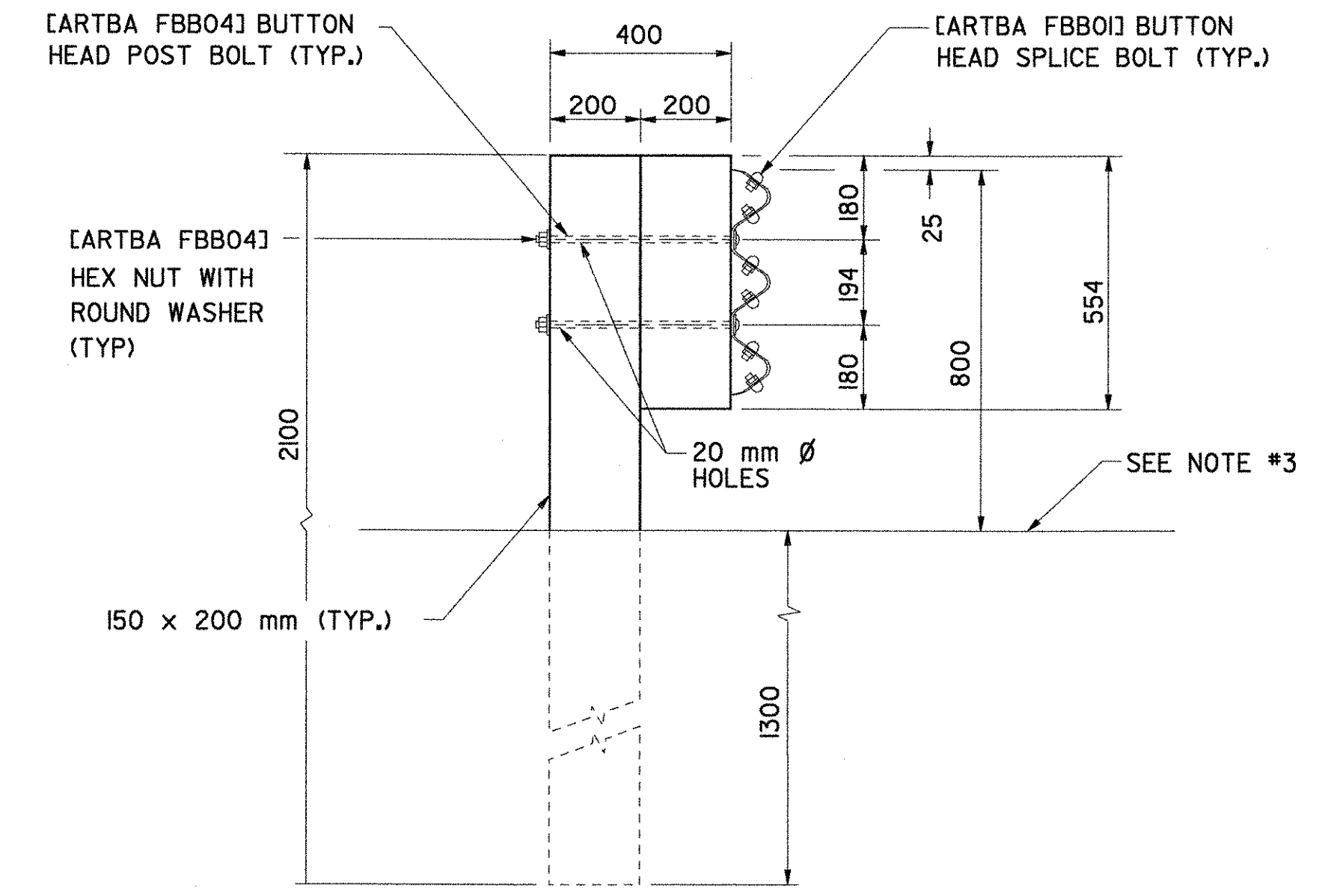
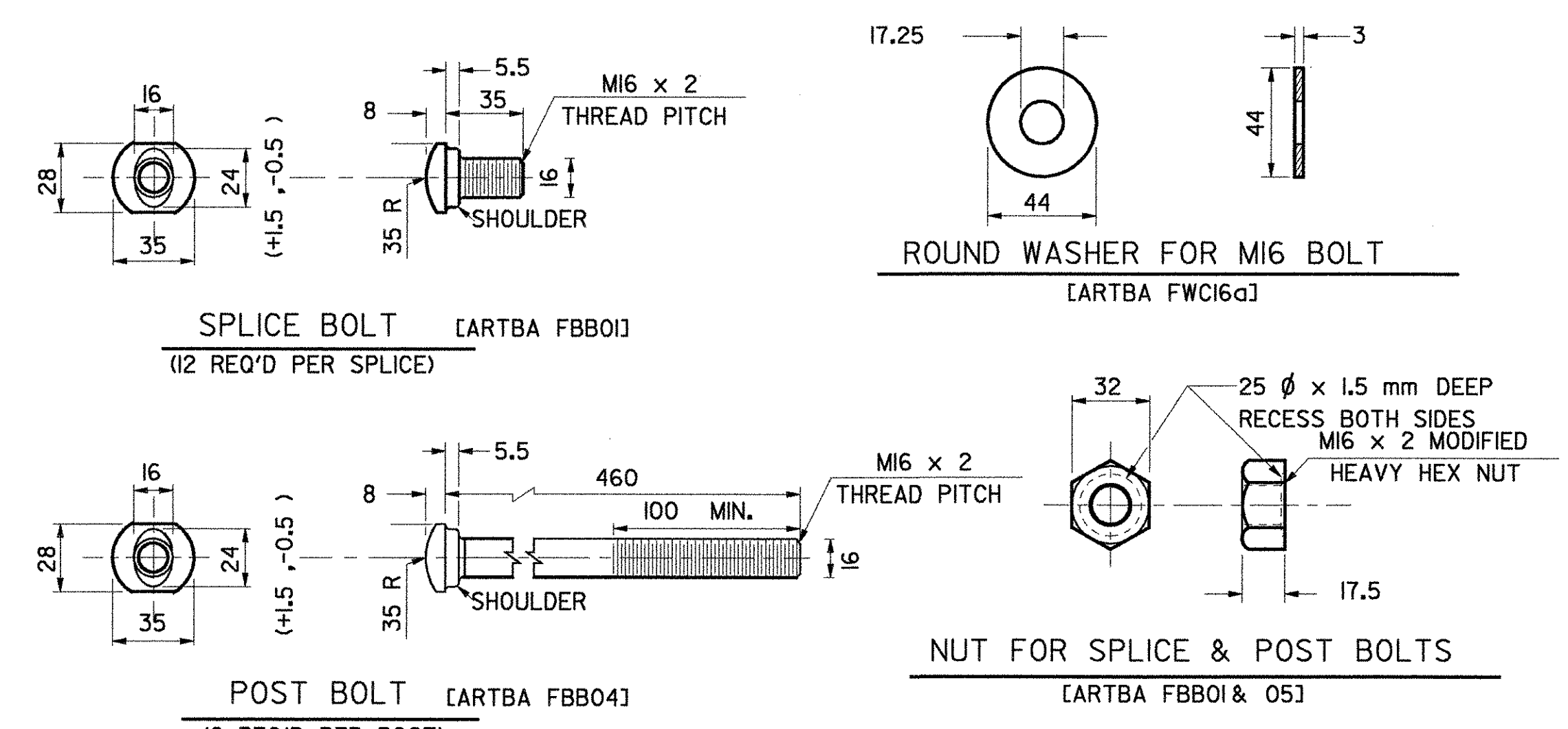
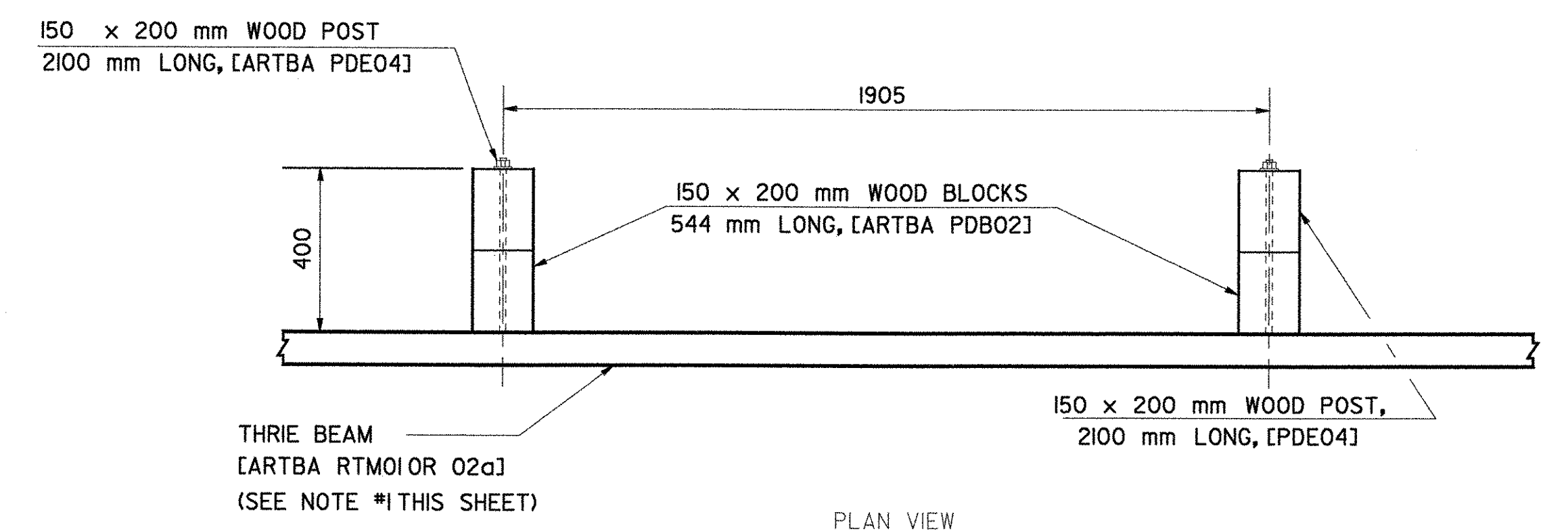
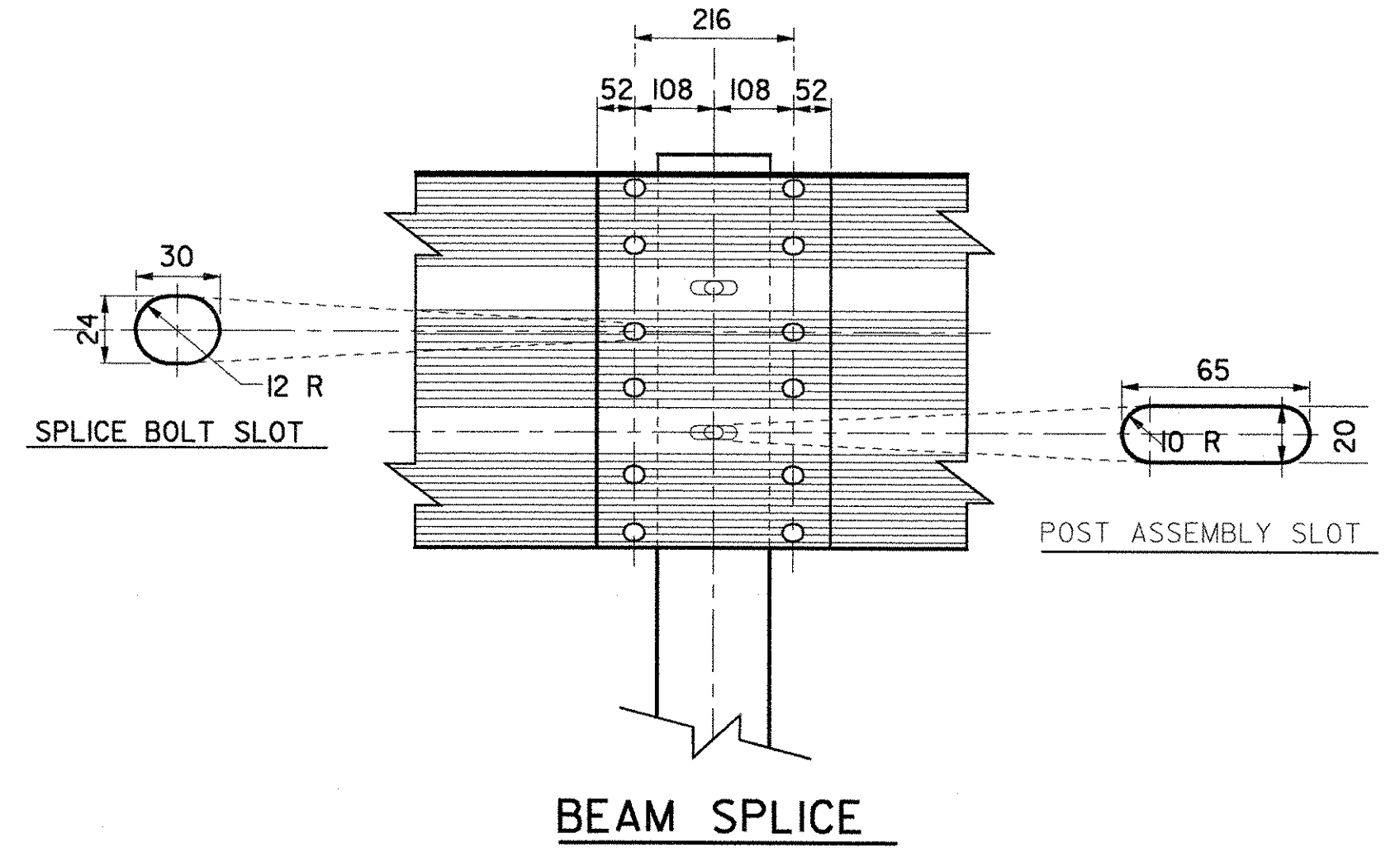


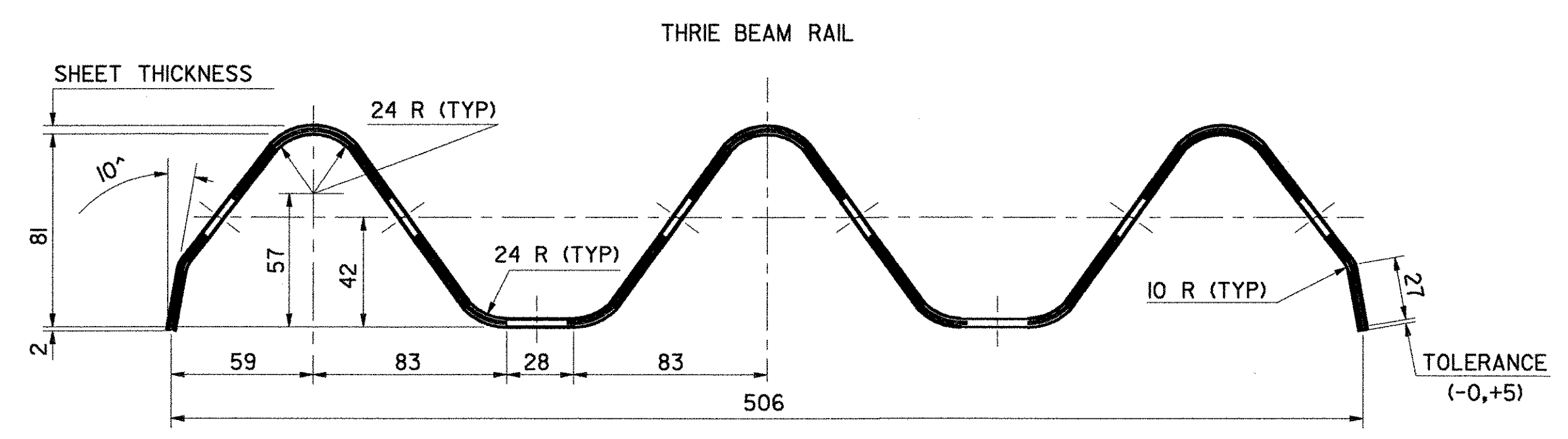
ELEVATION VIEW



SIDE VIEW AT SPLICE POST



BEAM SPLICE



THRIE BEAM RAIL SECTION  
[ARTBA RTM01a & RTM02a]

GENERAL NOTES

- (1) 7.6 m RAIL PANELS MAY BE USED IN PLACE OF 3.8 m PANELS, EXCEPT ON CURVES WITH A RADIUS OF LESS THAN 100 M.
- (2) ALL DIMENSIONS SUBJECT TO MANUFACTURER'S TOLERANCES.
- (3) GUARDRAIL HEIGHT SHALL BE SET FROM THE GRADE AT THE FACE OF RAIL.
- (4) FOR DESCRIPTION AND SPECIFICATION OF PARTS IDENTIFIED BY "ARTBA..." AND OTHER DETAILS OF POSTS, POST ACCESSORIES, FASTENERS, AND RAIL ELEMENTS, SEE AASHTO-ACC-ARTBA JOINT TASK FORCE NO. 13 TITLED "A GUIDE TO STANDARDIZED HIGHWAY BARRIER HARDWARE," LATEST EDITION.

DATUM	
VERTICAL	_____
HORIZONTAL	_____

PROJECT: BRATTLEBORO	PROJECT NO. : NH 010-2(2)
DESIGN FILE NAME: ...guardrail.dgn	PLOT DATE: 09/23/2002
IPARM FILE NAME:	SURVEY DATE:
SURVEYED BY:	DRAWN BY: PHL
SQUAD LEADER: W HUSBAND	SHEET: 12A OF 145
CLD REF NO. 00-0358	