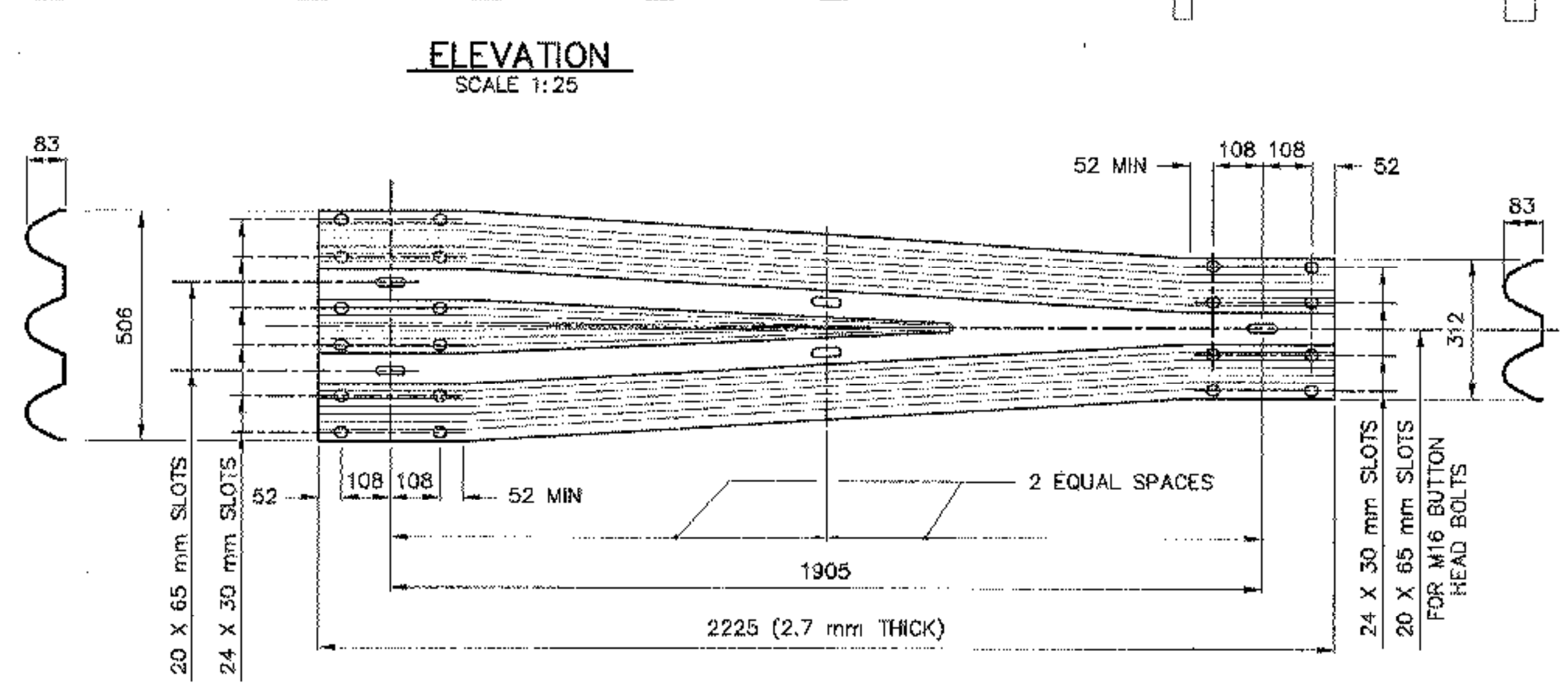
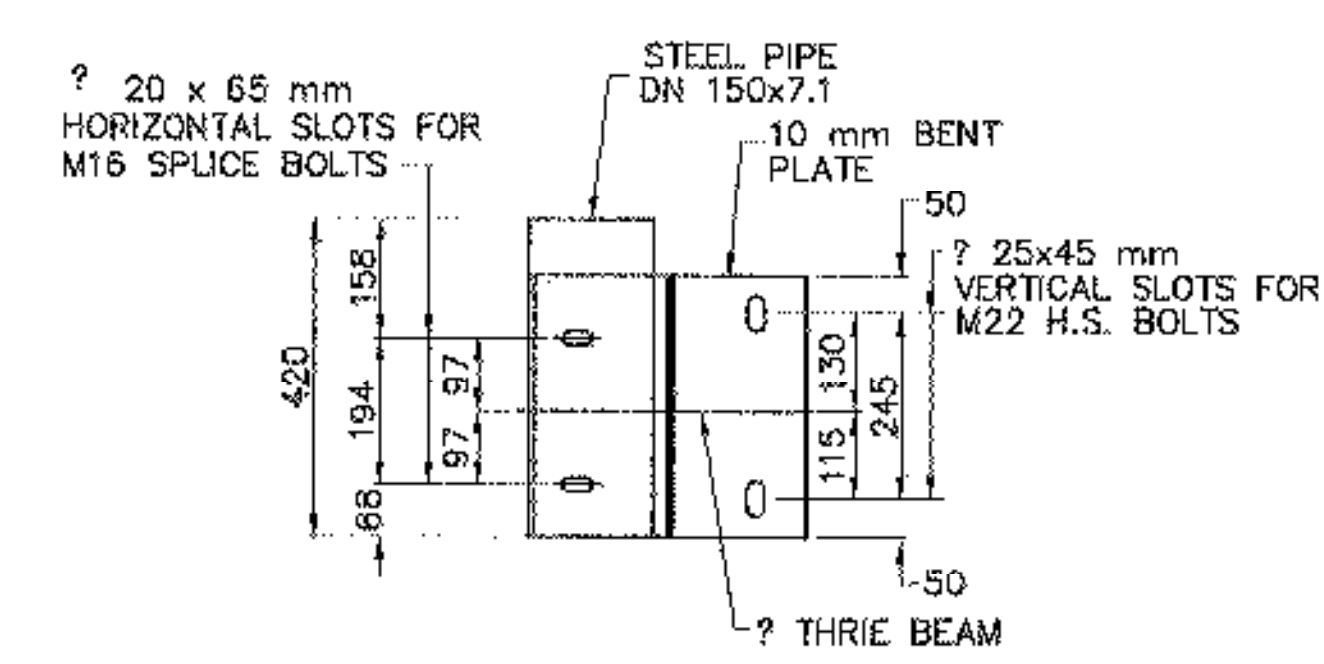
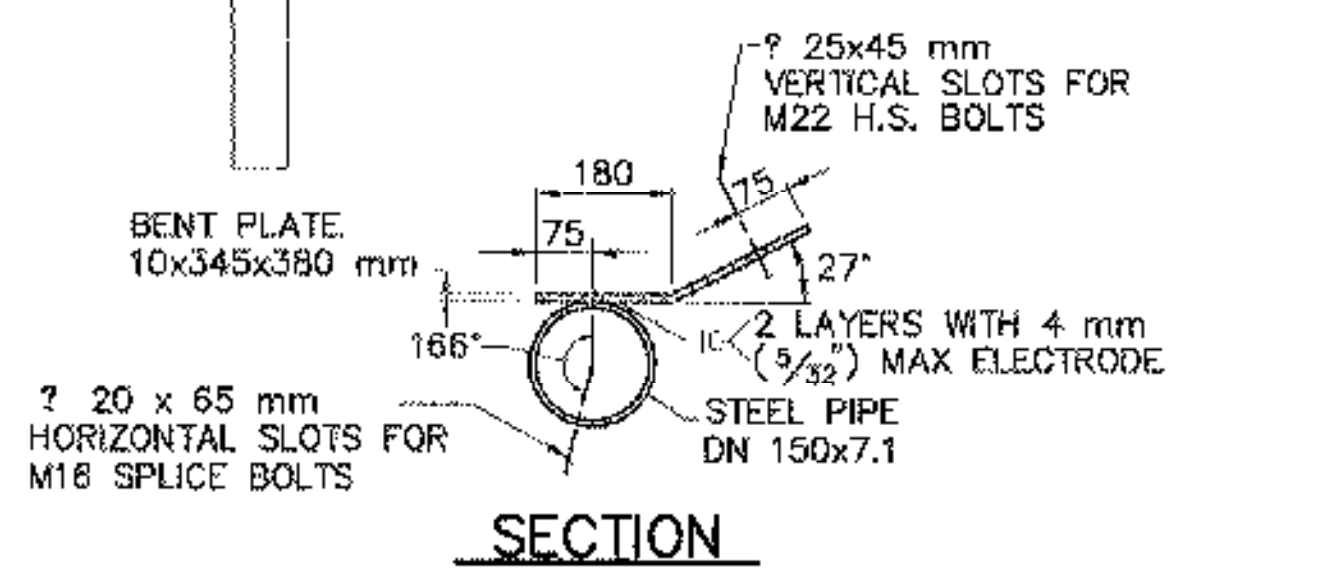


THRIE-BEAM TERMINAL CONNECTOR
(ARTBA RTE01b)
SCALE 1:10



THRIE-BEAM TO W-BEAM TRANSITION SECTION
(ARTBA RWT01a)
SCALE 1:10



SPACER TUBE ASSEMBLY DETAILS
SCALE N.T.S.

NOTE: STEEL PIPE (ASTM A53 GRADE B)/ BENT PLATE (ASTM A36) ASSEMBLY SHALL BE HOT DIPPED GALVANIZED

- NOTES:**
- ALL THRIE BEAM RAIL, INCLUDING TRANSITION SECTION, SHALL BE GALVANIZED 2.7 mm. ALL TERMINAL CONNECTORS SHALL BE GALVANIZED 3.5 mm.
 - H.S. BOLTS SHALL CONFORM TO ASTM A 325M TYPE 1, GALVANIZED.
 - ALL CONNECTIONS FOR THE THRIE BEAM RAIL AND TERMINAL CONNECTOR SHALL LAP IN THE DIRECTION OF TRAFFIC.
 - SEE VAOT STANDARD G-1dM FOR GUARDRAIL TERMINAL AND ANCHOR DETAILS.

- SEE SHEET 12A OF 145 FOR ADDITIONAL THRIE-BEAM STANDARD DETAILS.
- FOR DESCRIPTION AND SPECIFICATION OF PARTS IDENTIFIED BY "(ARTBA ...)" AND OTHER DETAILS OF POSTS, POST ACCESSORIES, FASTENERS, AND RAIL ELEMENTS, SEE AASHTO-AGC-ARYBA JOINT TASK FORCE NO. 13 TITLED "A GUIDE TO STANDARDIZED HIGHWAY BARRIER HARDWARE," LATEST EDITION.

DATUM

VERTICAL _____

HORIZONTAL _____

PROJECT: BRATTLEBORD	PROJECT NO. 1: NH 010-2(2)
DESIGN FILE NAME: IPARM FILE NAME: SURVEYED BY: SQUAD LEADER: W. HUSBAND	PLOT DATE: 1/2002 SURVEY DATE: DRAWN BY: PHL SHEET: 12 OF 145