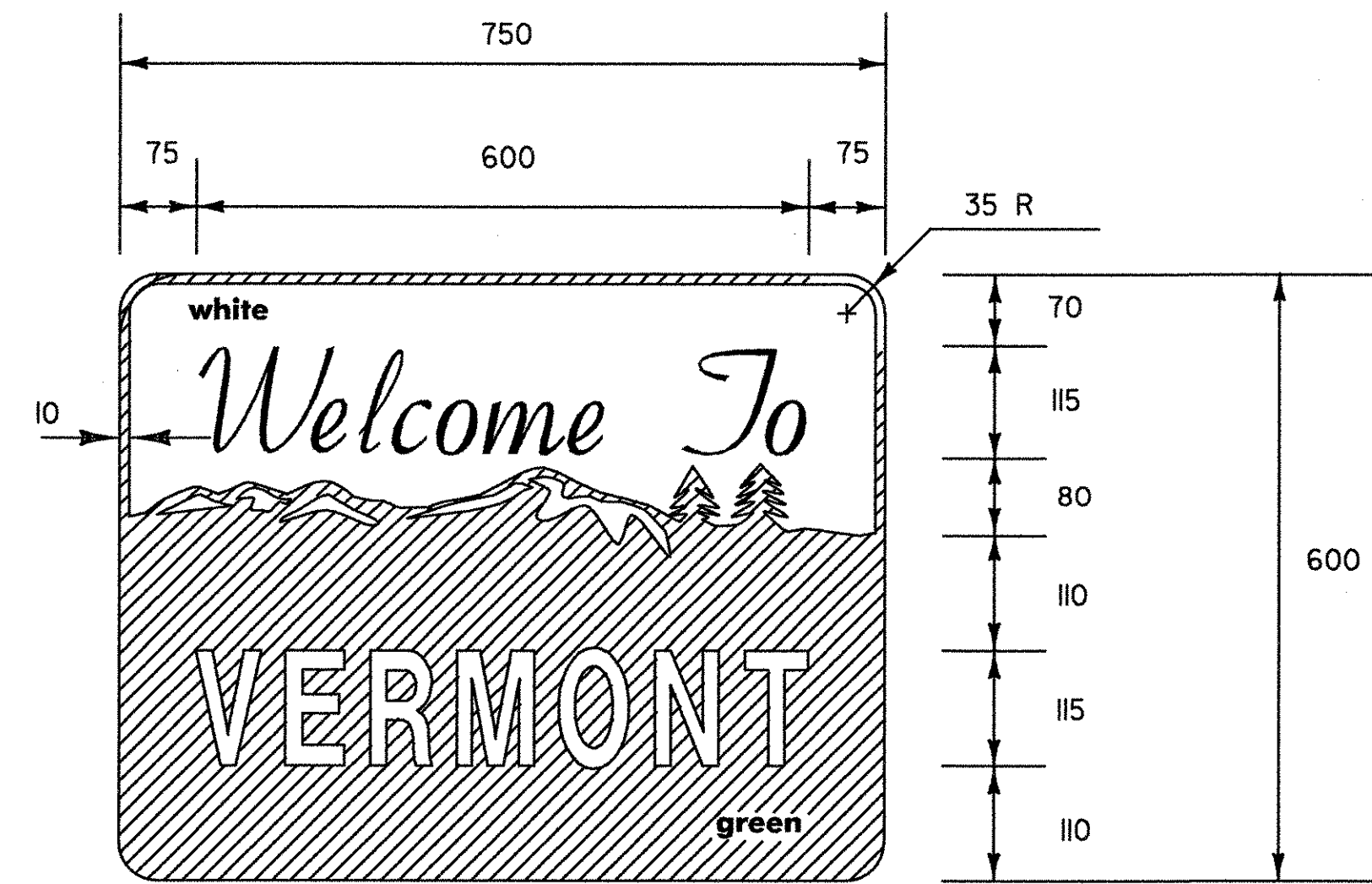
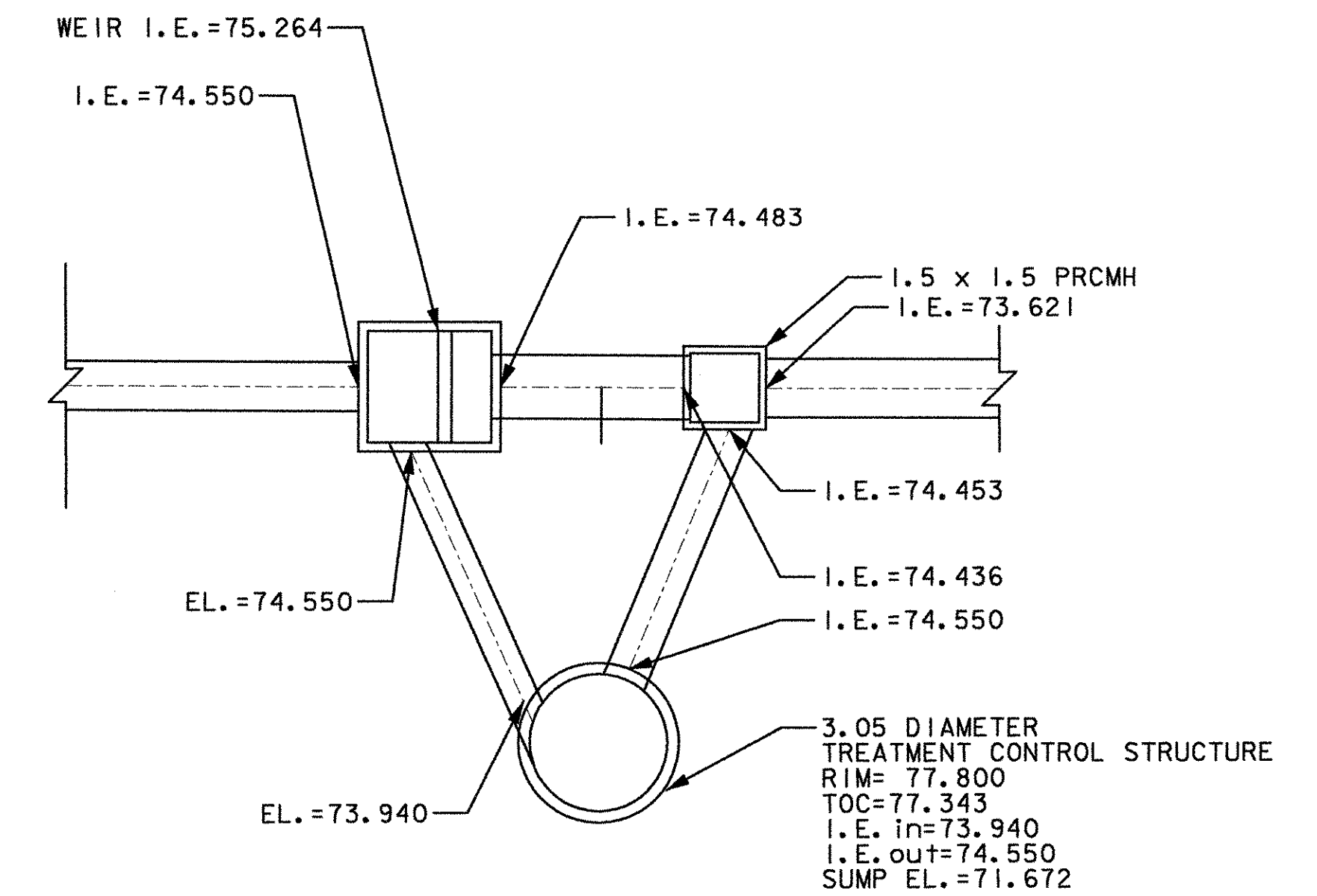
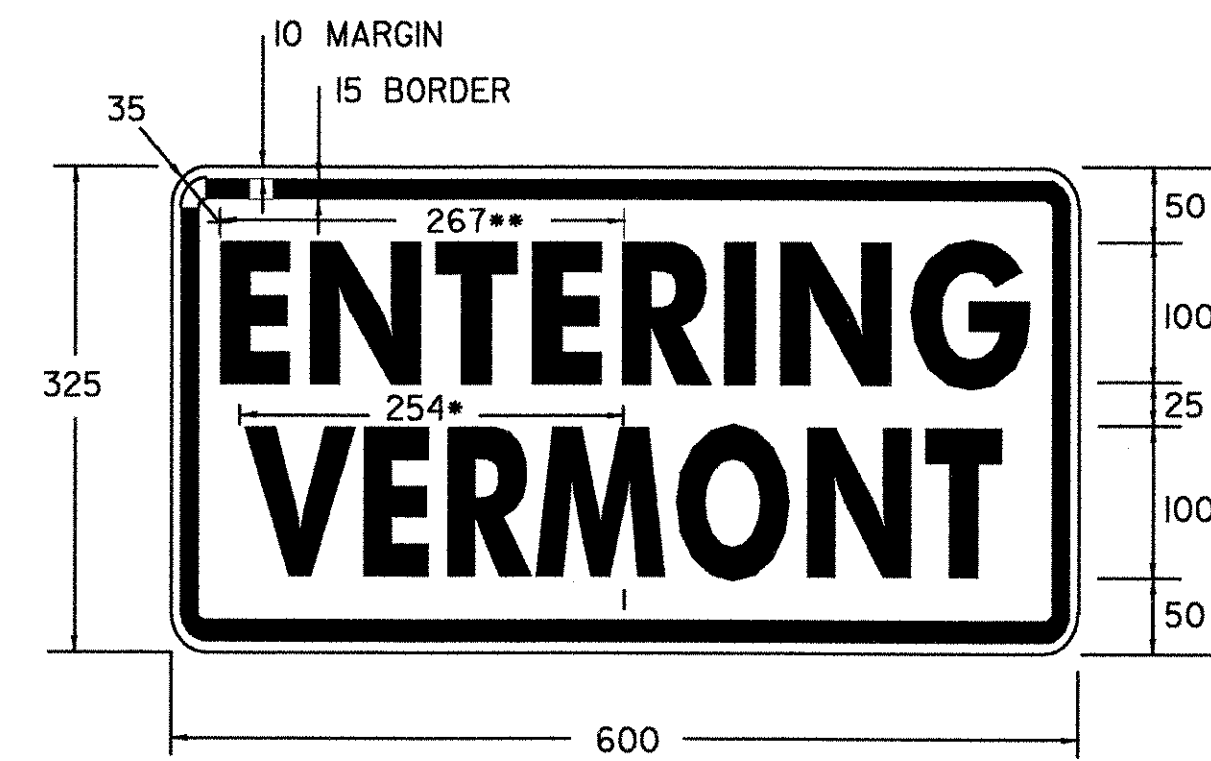


MISCELLANEOUS DETAILS



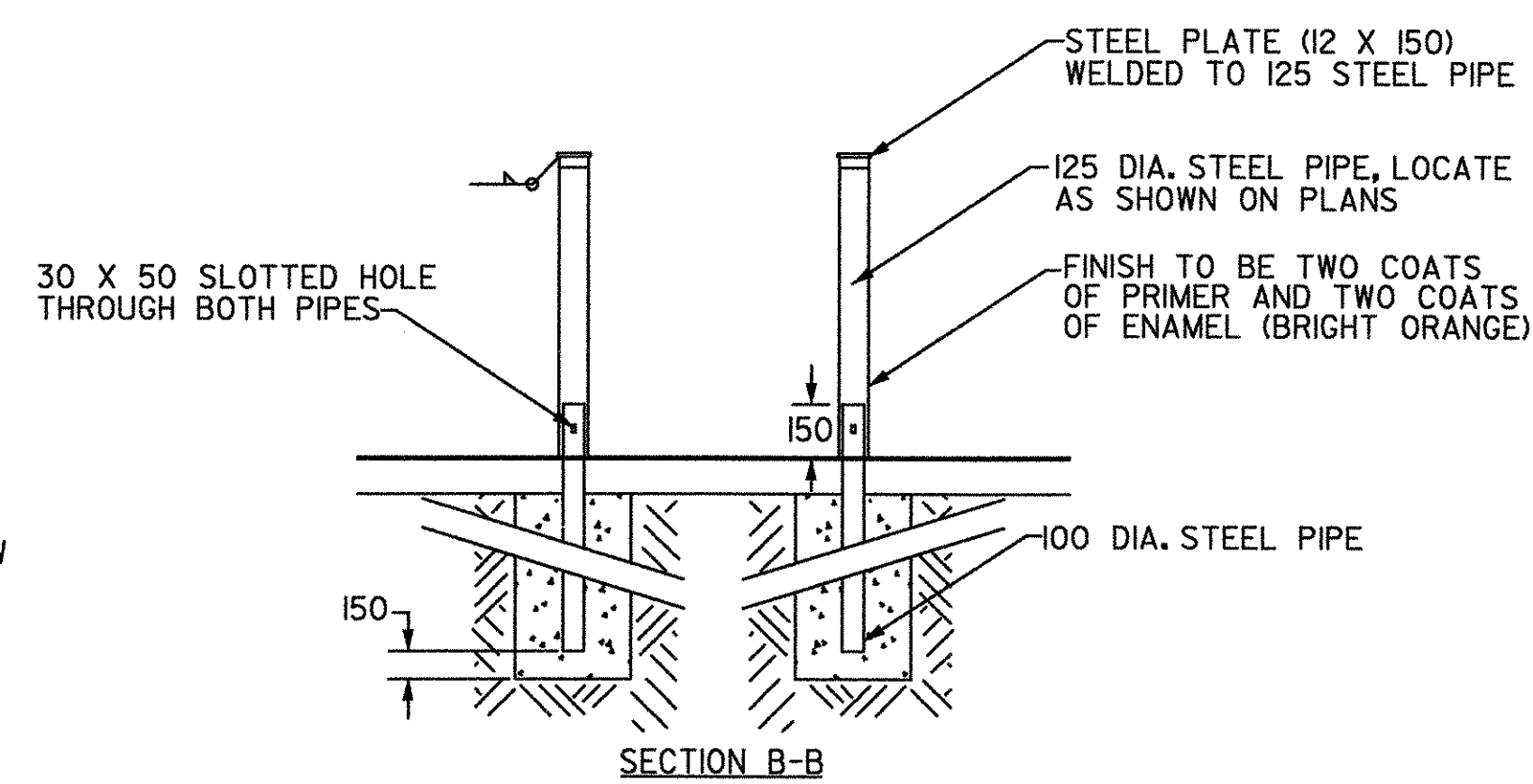
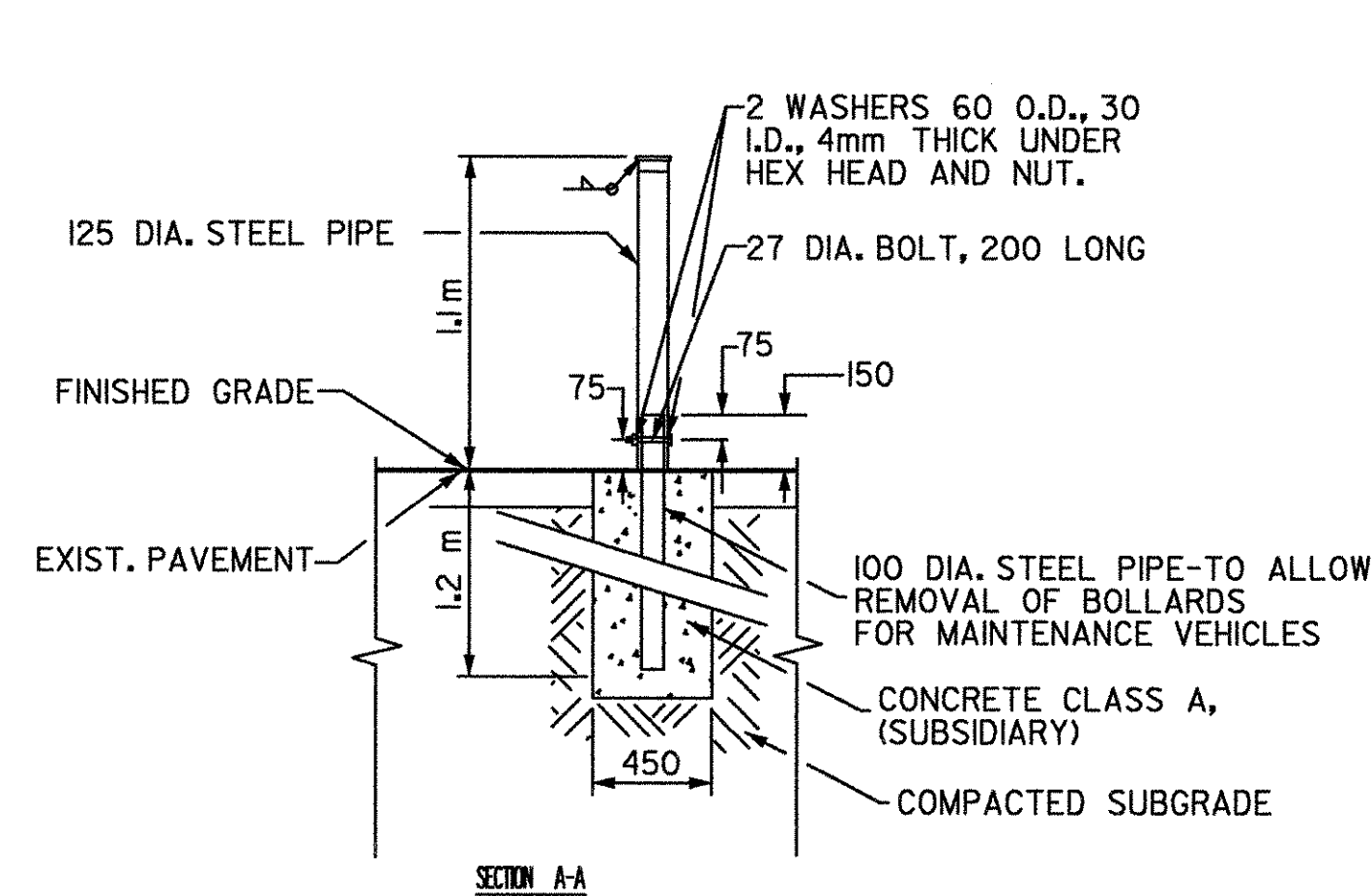
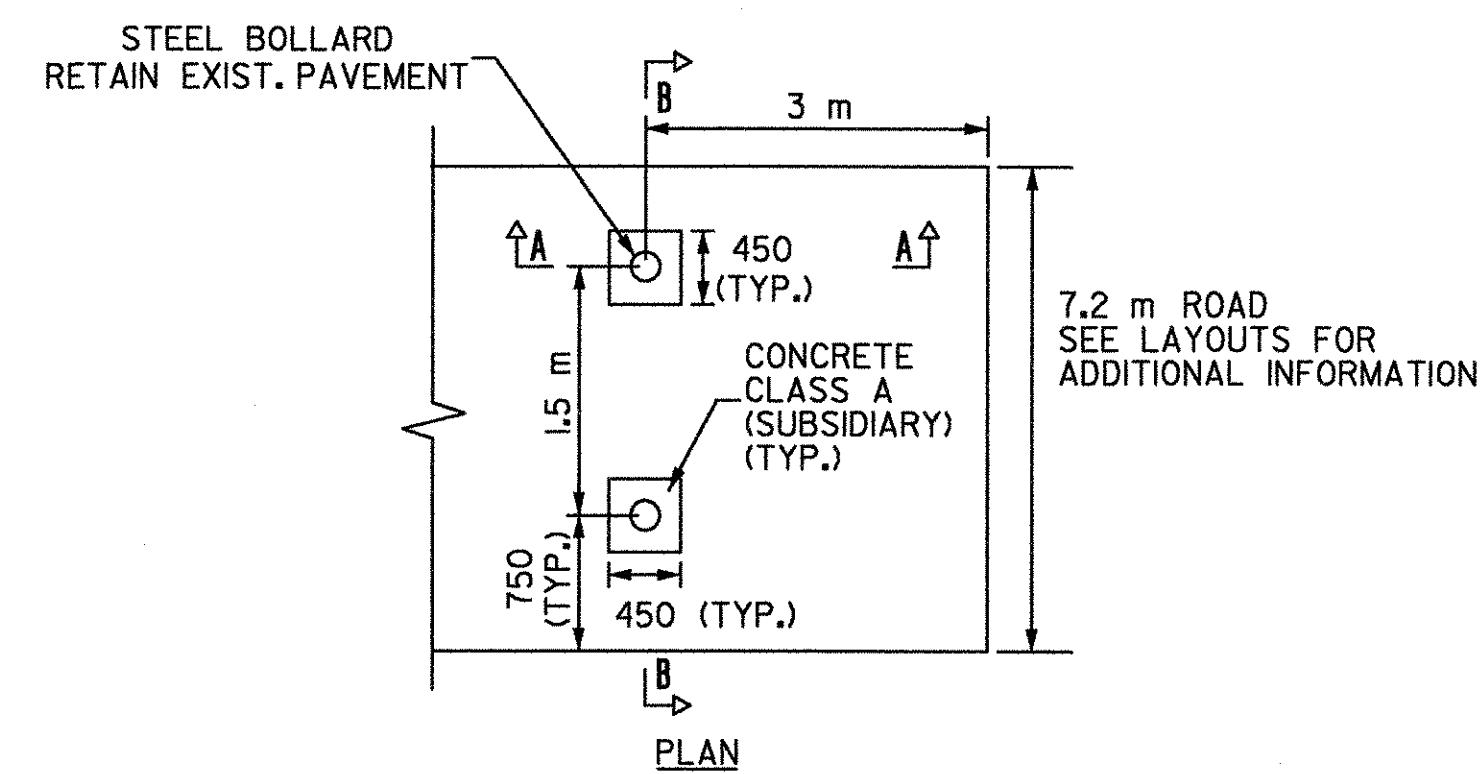
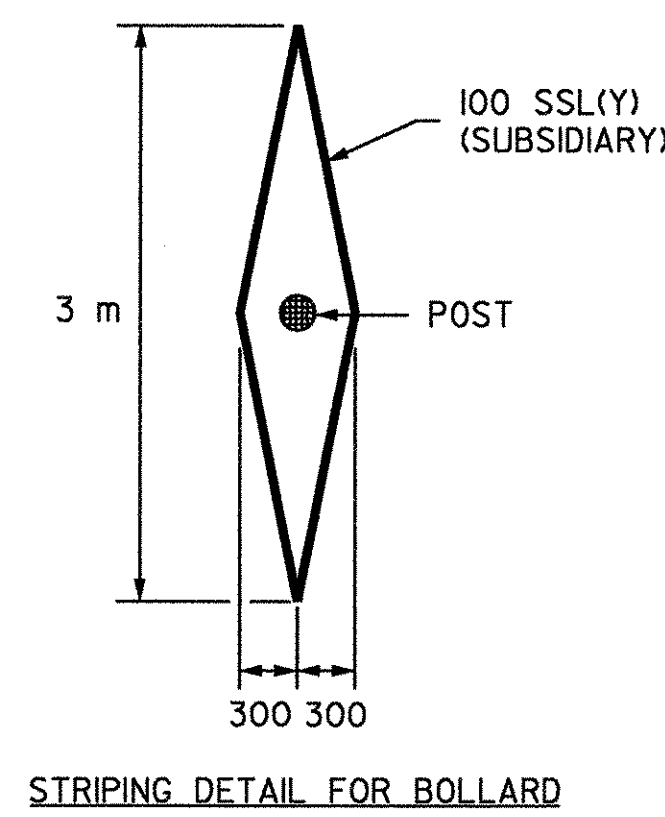
NOTE:
 FOR THE WORDS "WELCOME TO" USE GERBER FONT MURRAY HILL BOLD OR EQUIVALENT. TEXT COLOR IS GREEN.
 ALL OTHER TEXT USE GERBER FONT SOUVENIR DEMIBOLD OR EQUIVALENT. TEXT COLOR IS WHITE.
 REFER TO STD. E-131M FOR COLORS.

MATERIALS:
 SEE STD. E-136M FOR MATERIALS



SEDIMENTATION CONTROL STRUCTURE DETAIL

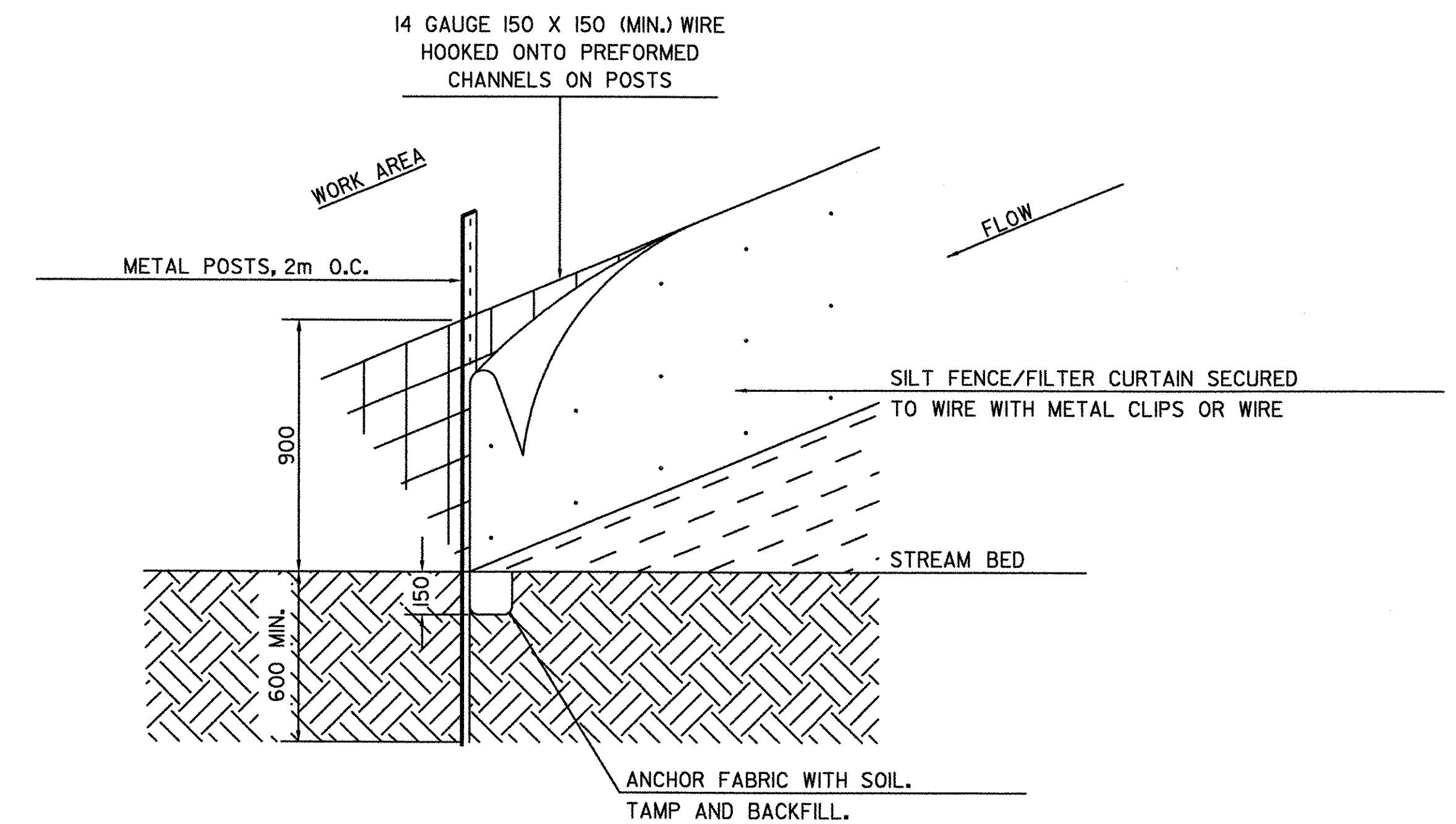
(NOT TO SCALE)



STEEL BOLLARD DETAIL (REMOVABLE)

ITEM 619.16 - STEEL MARKER POSTS (MOD)
 (NOT TO SCALE)

DATUM	
VERTICAL	NGVD 1929
HORIZONTAL	NAD 1983



PLACEMENT OF SILT FENCE/FILTER CURTAIN IN STREAM

NOT TO SCALE

NOTE: UNLESS OTHERWISE NOTED IN THESE PLANS, ALL ELEVATIONS ARE IN METERS AND ALL DIMENSIONS ARE IN MILLIMETERS

PROJECT: BRATTLEBORO	PROJECT NO. : NH 010-2(2)
DESIGN FILE NAME: ...zb270+yp.dgn	PLOT DATE: 09/20/2002
IPARM FILE NAME:	SURVEY DATE:
SURVEYED BY:	DRAWN BY: P SHEDD
SQUAD LEADER: W HUSBAND	SHEET: II OF 145
CLD REF NO. 00-0358	