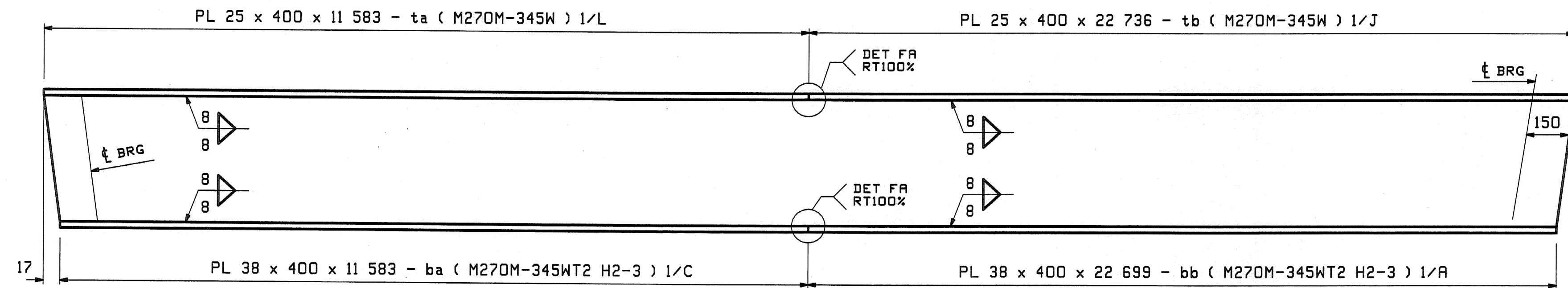
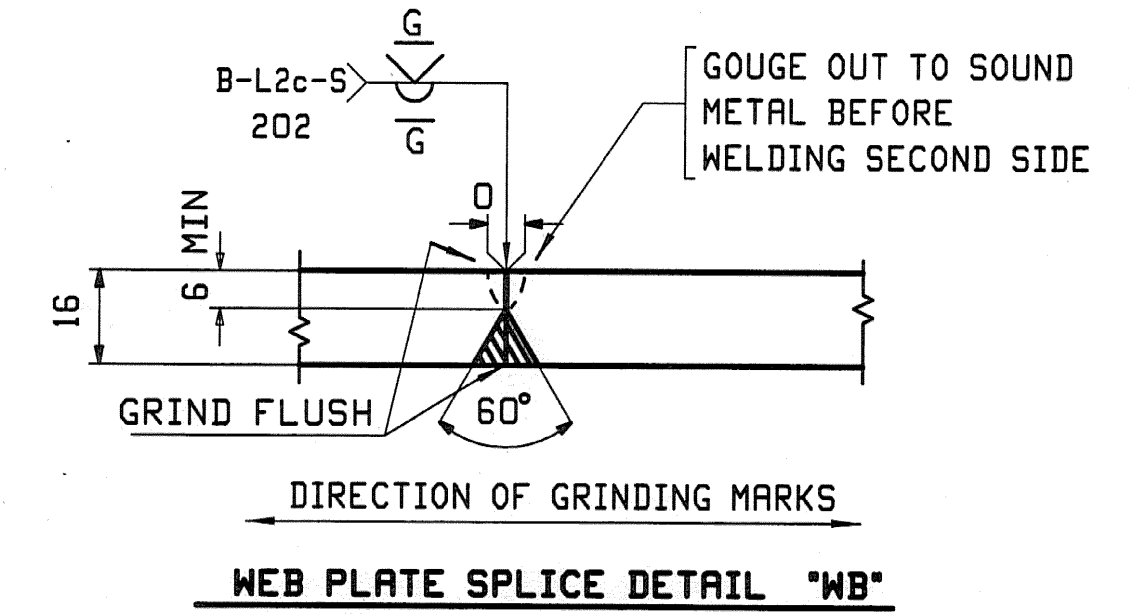


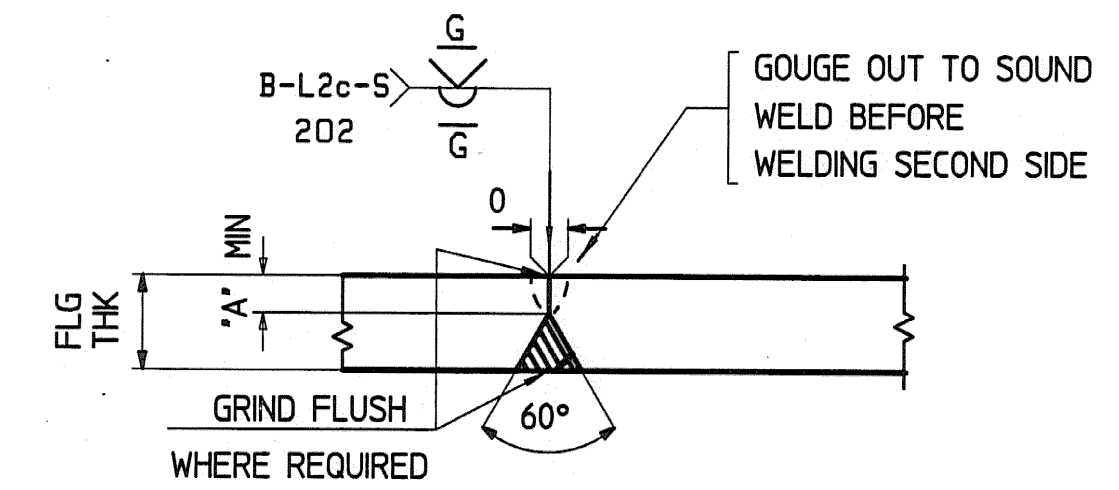
**CAMBER DIAGRAM FOR IGI THRU 3G5**



**FLANGE DIAGRAM FOR IGI THRU 3G5**



**WEB PLATE SPLICE DETAIL 'WB'**



**FLANGE PLATE SPLICE DETAIL 'FA'**

FLG THK	'A'
25	6
38	12

RECEIVED  
 JUL 0 1 2008  
 APPROVED BY: *[Signature]*  
 DATE: 7/3/08

REV.	DATE	REMARKS	DWN	CHK	APVL	SHOP
0						5/20/08
MATERIAL:		SURFACE PREP. & PAINT:		HOLES:		SHOP BOLTS:
DESCRIPTION: CAMBER AND FLANGE DIAGRAM						
CASCO BAY STEEL STRUCTURES, INC. 75 SPRING HILL ROAD SACO, MAINE 04072 PHONE (207) 282-7360 FAX. (207) 282-1179						
STRUCTURE: US 7 over EAST CREEK BRIDGE NO 103 RUTLAND COUNTY, VERMONT				DRWN: JTB	DATE: 04/19	
LOCATION: TOWN OF RUTLAND				CHKD: JF	DATE: 05/16	
PROJ NO. BRF 019-3(48)				JOB NO. 368	DWG NO. C1	
CUSTOMER: VERMONT ROT					REV. $\Delta$	

- NOTES:**
- FOR GENERAL NOTES SEE DWG GNI.
  - H2-3 DENOTES MATERIAL SUBJECT TO CHARPY V-NOTCH TEST AT H FREQ. FOR ZONE 2