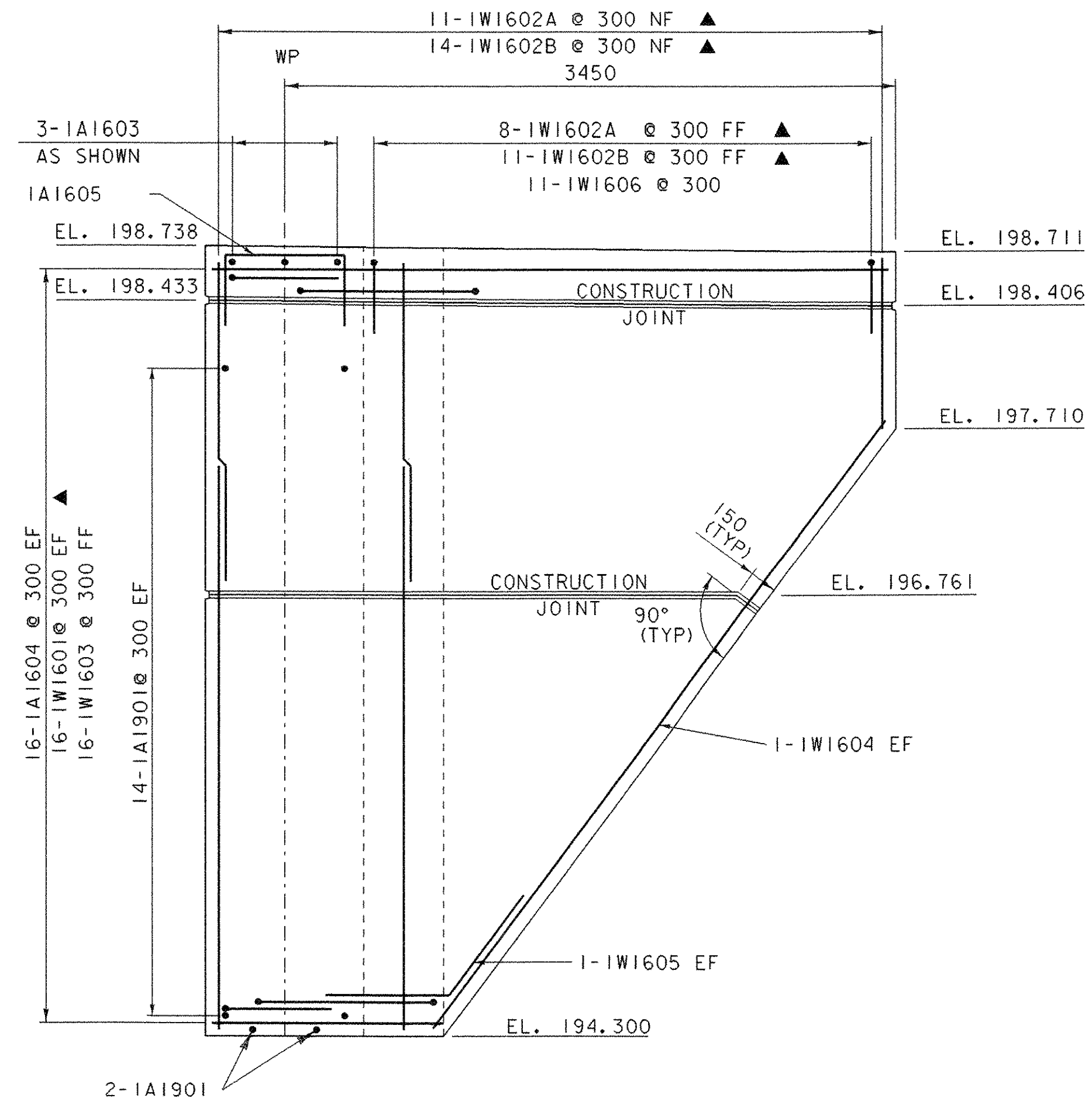
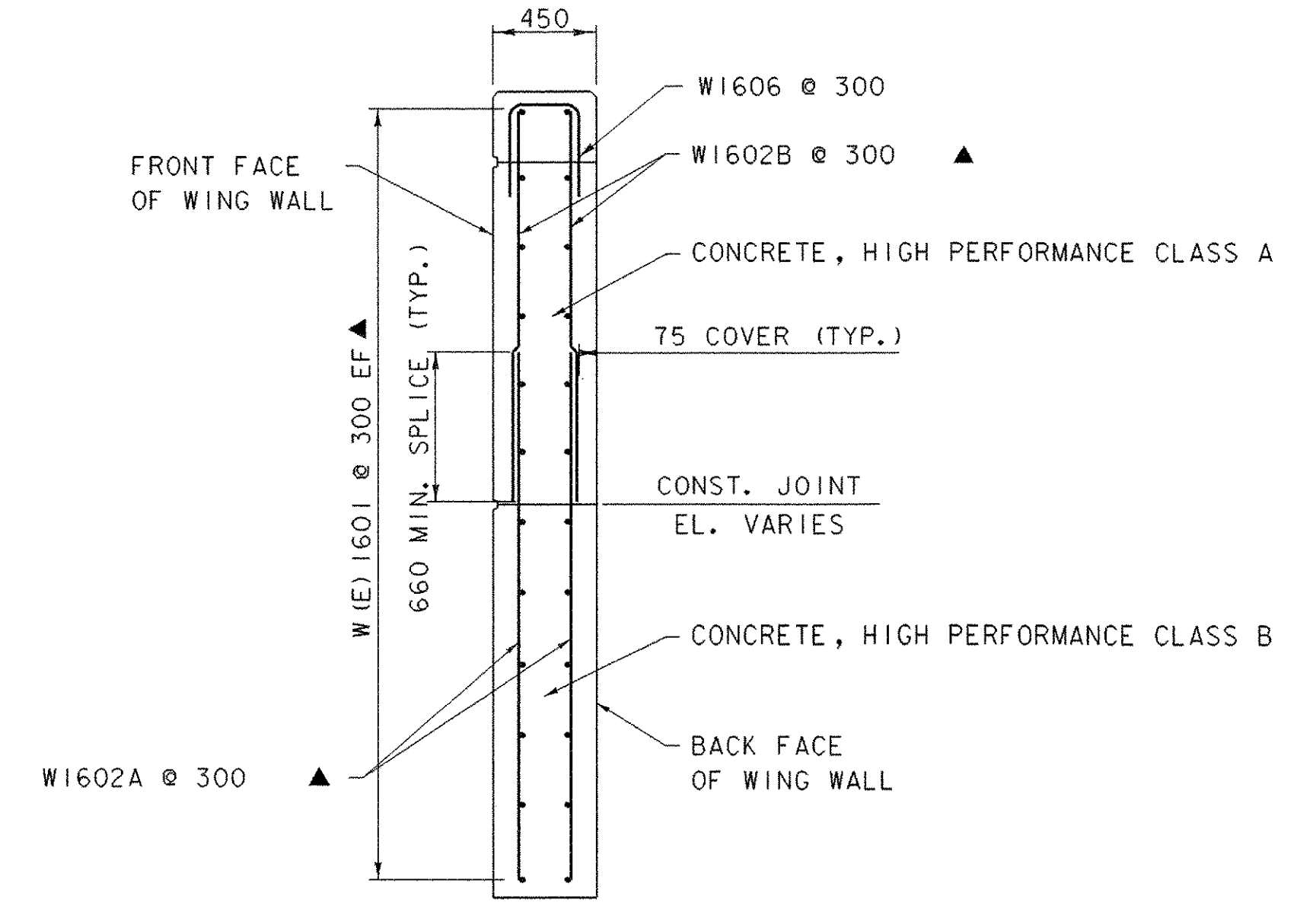


WINGWALL NO. 2 ELEVATION



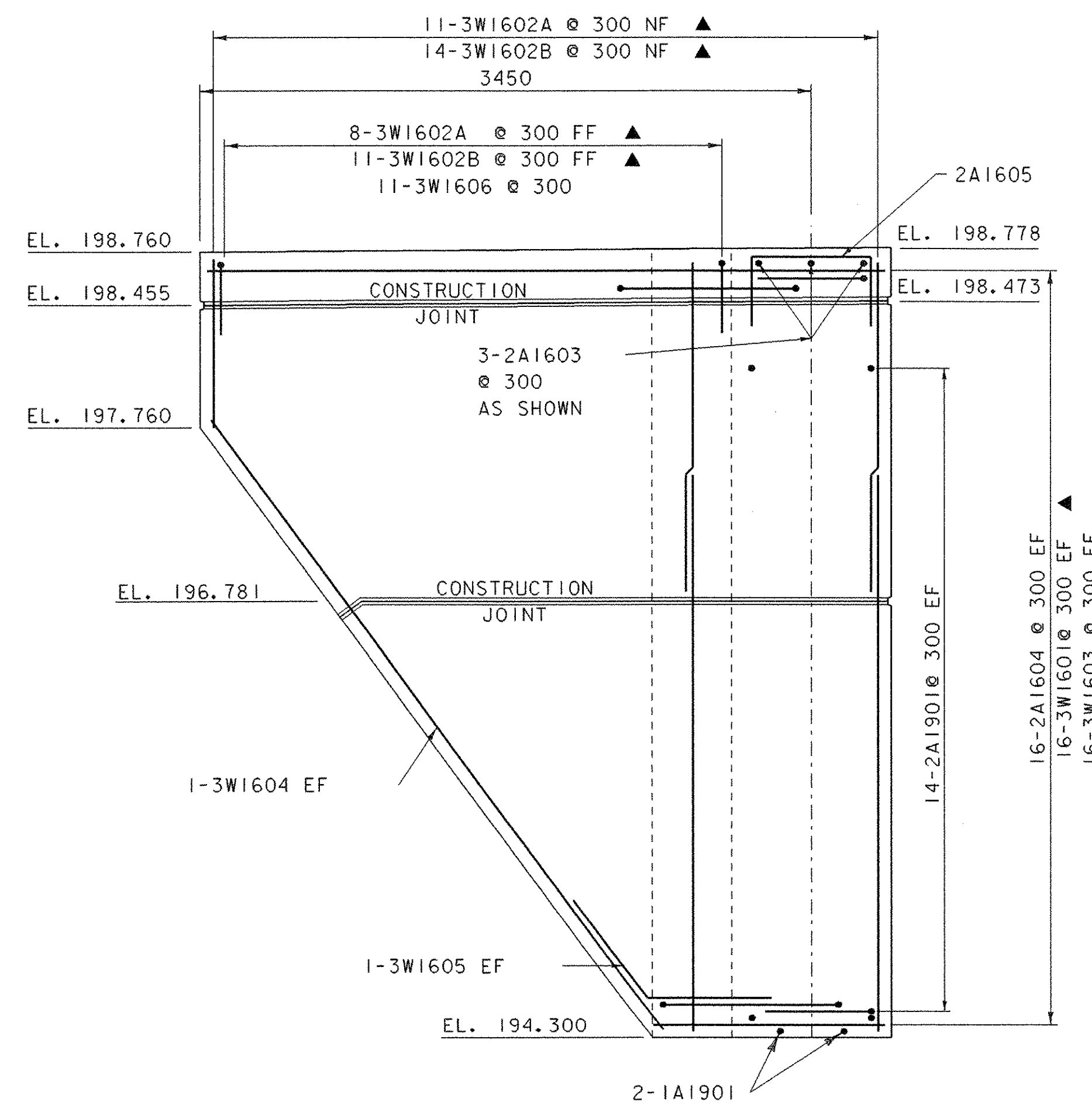
WINGWALL NO. 1 ELEVATION



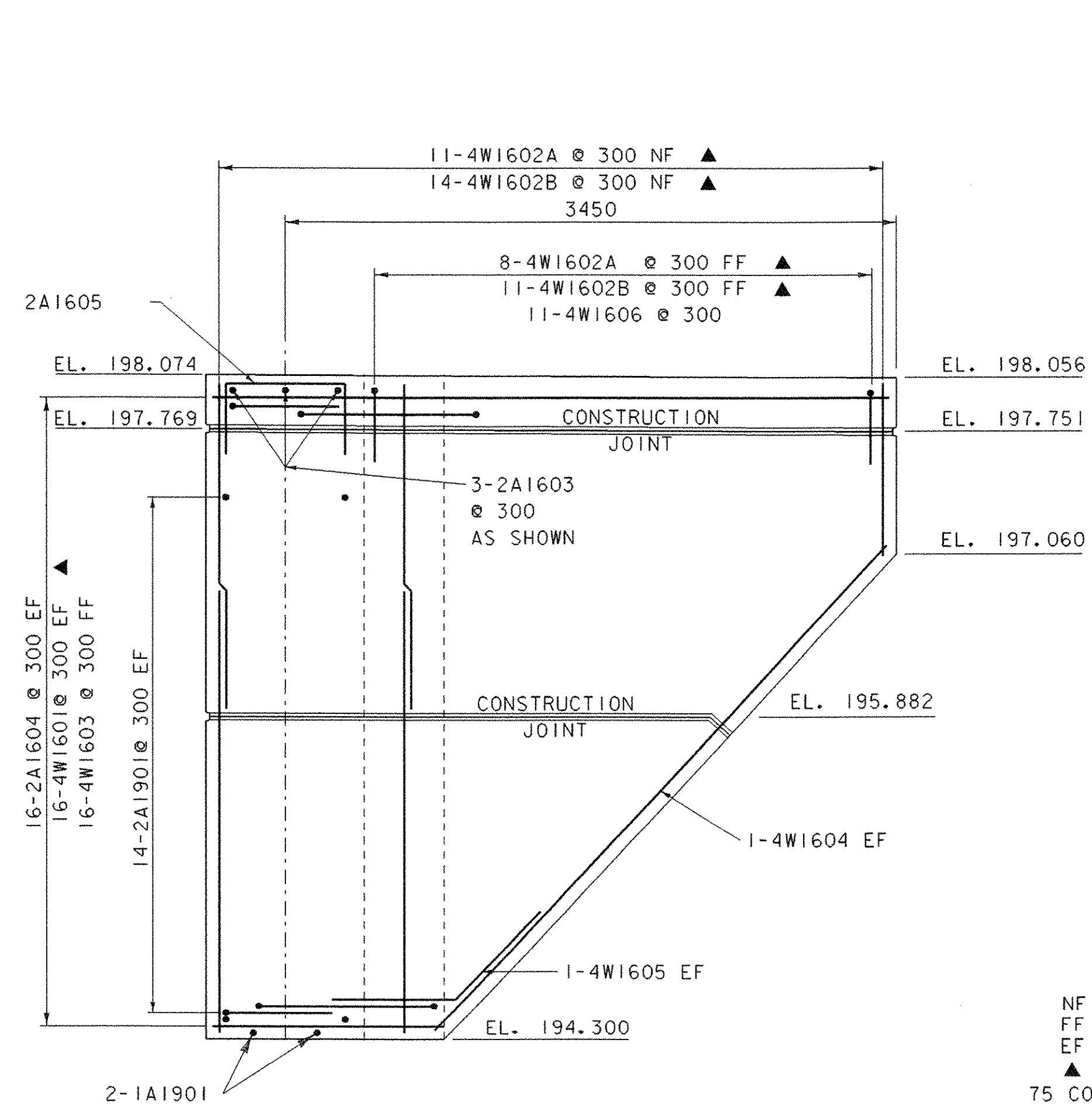
WINGWALL TYPICAL SECTION

0 1 2 3

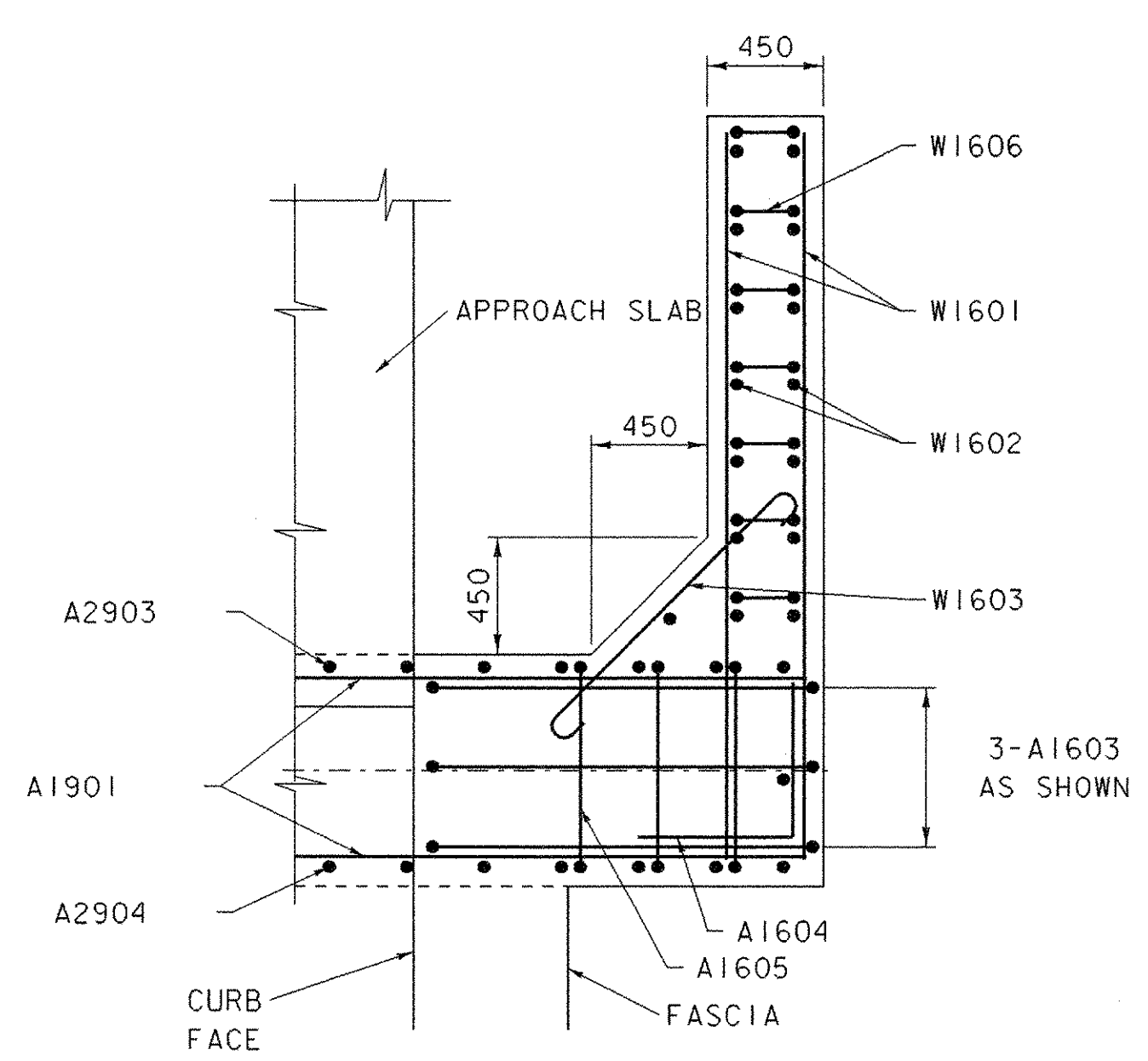
SCALE = 1:25



WINGWALL NO. 3 ELEVATION



WINGWALL NO. 4 ELEVATION



PLAN INTEGRAL U-WINGWALLS

SUBSTRUCTURE WINGWALLS

NOTE:
 NF = NEAR FACE
 FF = FAR FACE
 EF = EACH FACE
 ▲ = CUT TO FIT IN FIELD
 75 COVER UNLESS OTHERWISE SPECIFIED ON THE PLANS.
 660 MIN. LAP LENGTH UNLESS OTHERWISE SPECIFIED ON THE PLANS

| | | | |
|-------------------------|---------------|--------------|-------------|
| PROJECT NAME: | RUTLAND TOWN | PLOT DATE: | 11-MAR-2008 |
| PROJECT NUMBER: | BRF 019-3(48) | DRAWN BY: | D. PETERSON |
| FILE NAME: | sbt72sb3.1 | DESIGNED BY: | T. LACKEY |
| PROJECT LEADER: | R. WHITCOMB | CHECKED BY: | |
| 95bt72/str/sbt72sub.dgn | | SHEET | 56 OF 75 |