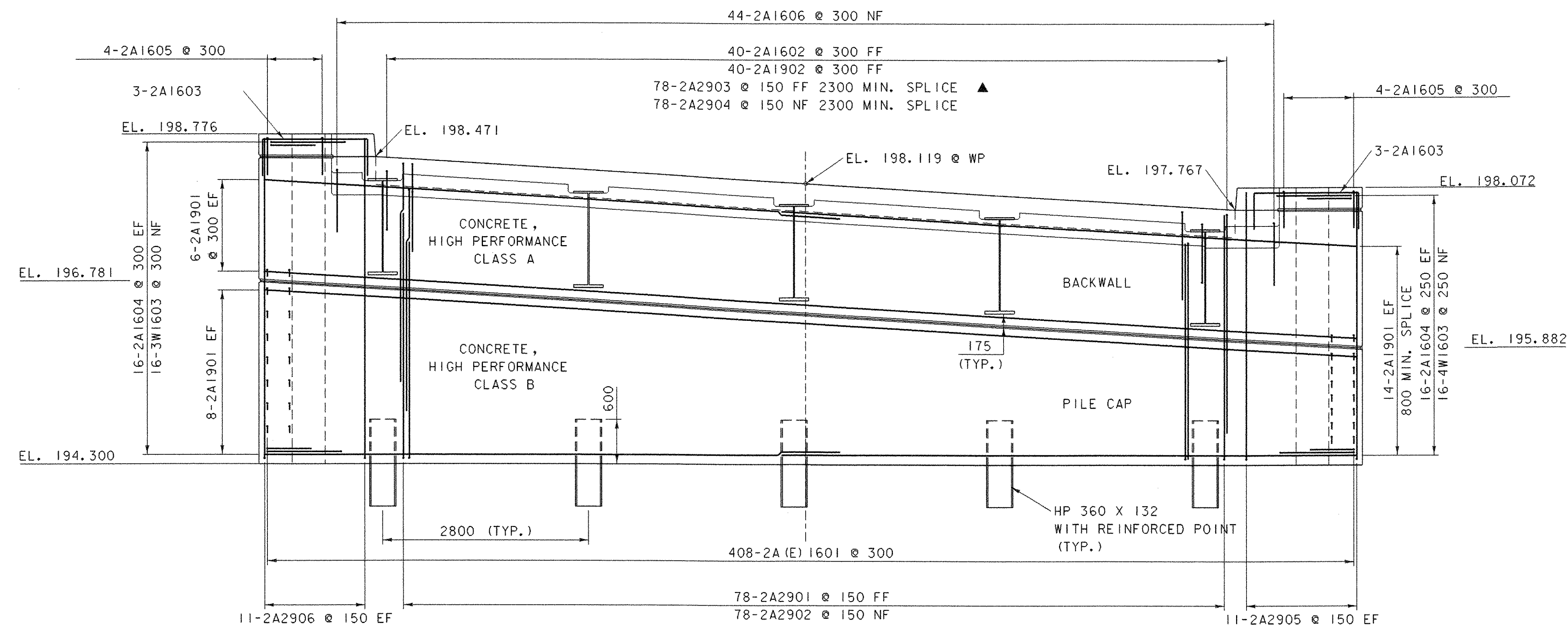
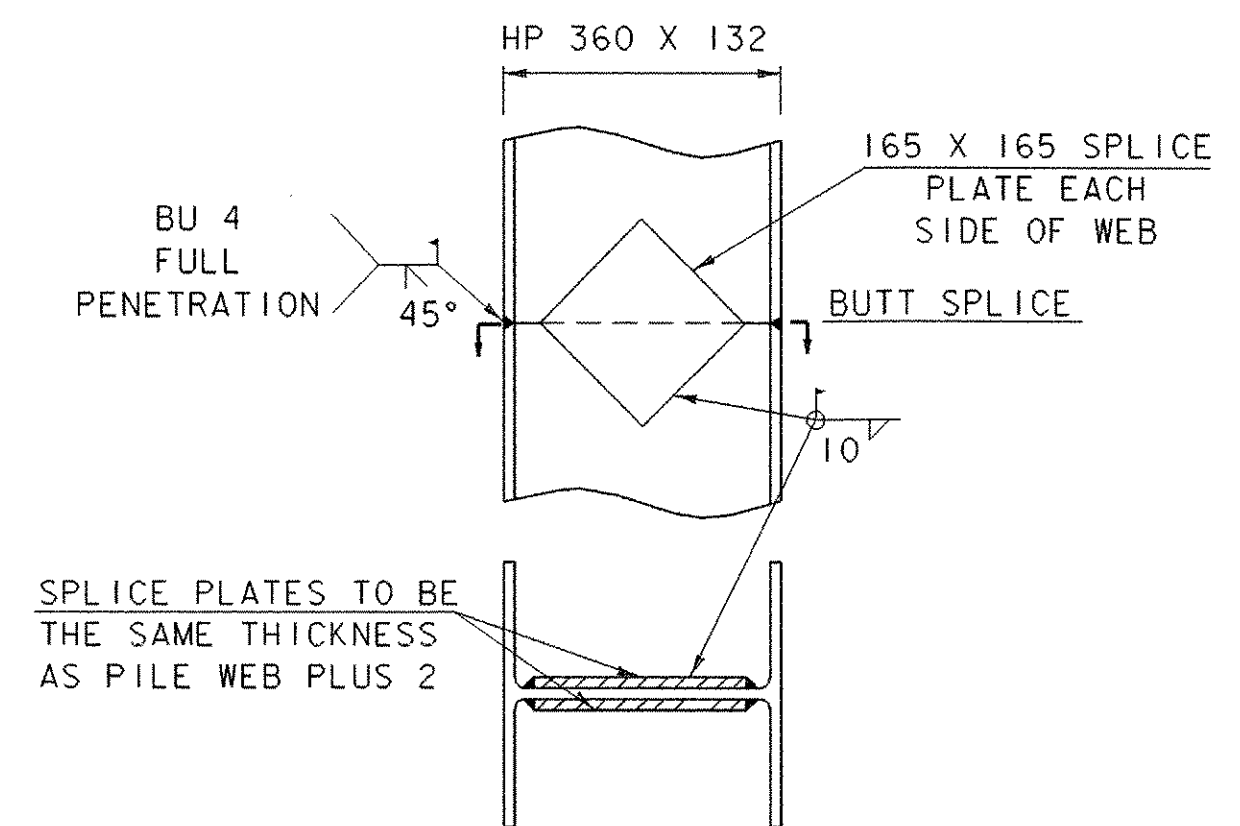
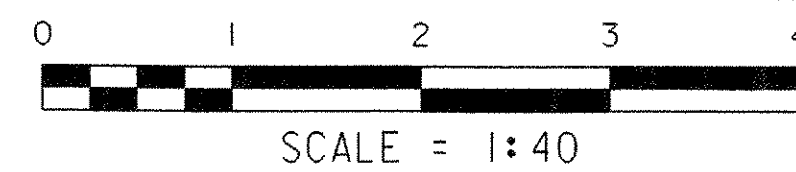


ABUTMENT NO. 2 PLAN



ABUTMENT NO. 2 ELEVATION



PREFABRICATED PILE SPLICE PLATES MAY BE USED WITH THE APPROVAL OF THE RESIDENT ENGINEER.

PILE SPLICE DETAIL
NTS

NOTES

- H - INDICATES LOCATION OF A VERTICAL PILE.
- PILE SIZE: HP 360 X 132 (HP 14 X 89)
- PILE STEEL: ASTM 572/A572M GR 345
- WELD PROCEDURES TO BE APPROVED BY THE STRUCTURES ENGINEER PRIOR TO WELDING.

NOTE:

NF = NEAR FACE
FF = FAR FACE
EF = EACH FACE
▲ = CUT TO FIT IN FIELD
75 COVER UNLESS OTHERWISE SPECIFIED ON THE PLANS.
660 MIN. LAP LENGTH UNLESS OTHERWISE SPECIFIED ON THE PLANS

SUBSTRUCTURE
ABUTMENT 2

PROJECT NAME: RUTLAND TOWN
PROJECT NUMBER: BR 019-3(48)

FILE NAME: sbi72sb2.1
PROJECT LEADER: R. WHITCOMB
DESIGNED BY: T. LACKEY
95b172/str/sbi72sub.dgn

PLOT DATE: 11-MAR-2008
DRAWN BY: D. PETERSON
CHECKED BY:
SHEET 55 OF 75