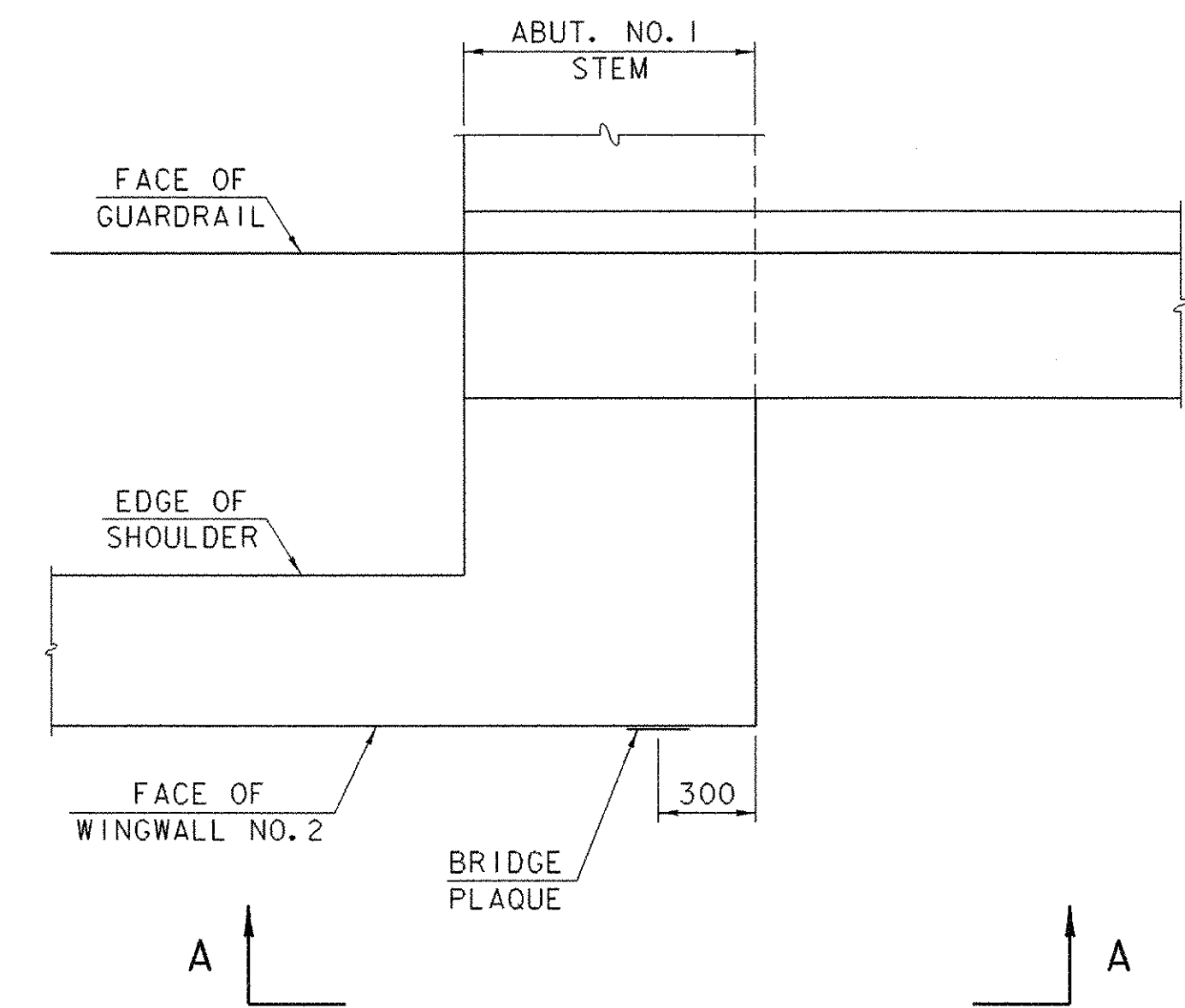
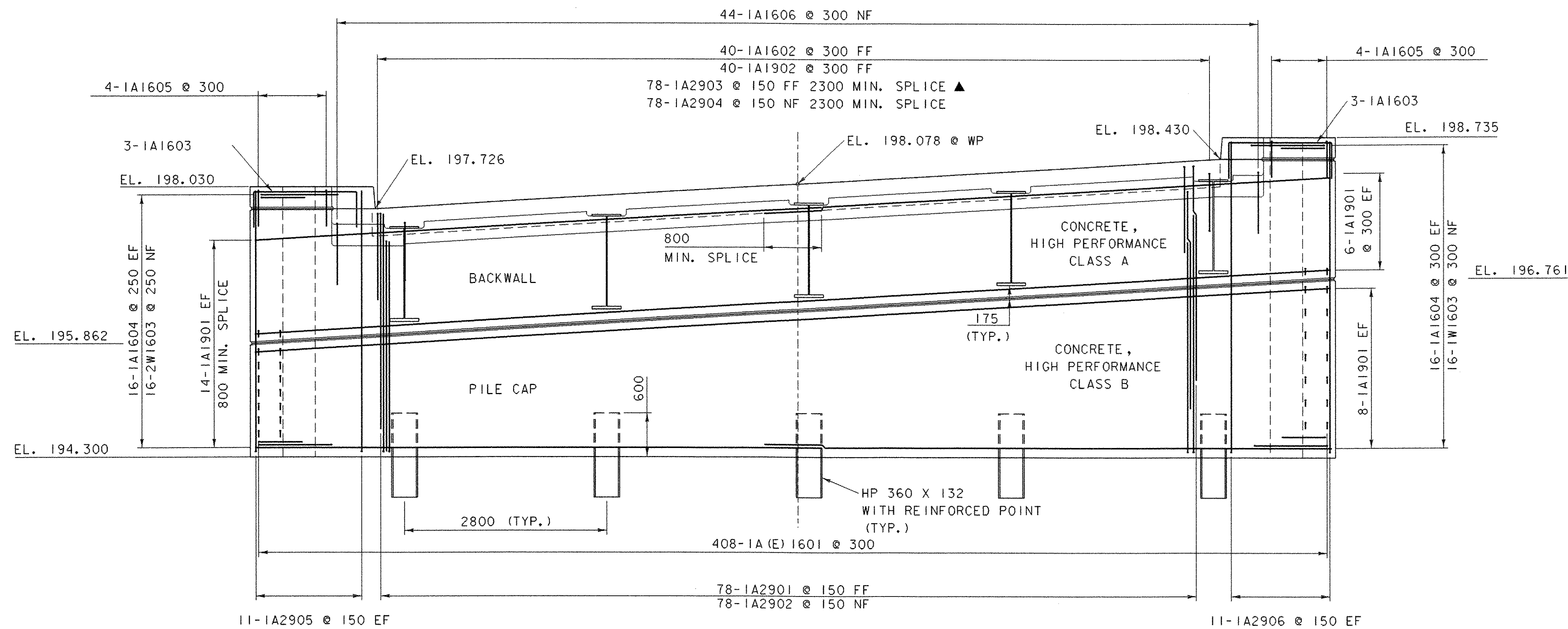


GIRDER SEAT ELEVATIONS TOP OF LEVELING PLATES	
GIRDER 5	196.142
GIRDER 4	196.310
GIRDER 3	196.479
GIRDER 2	196.625
GIRDER 1	196.815

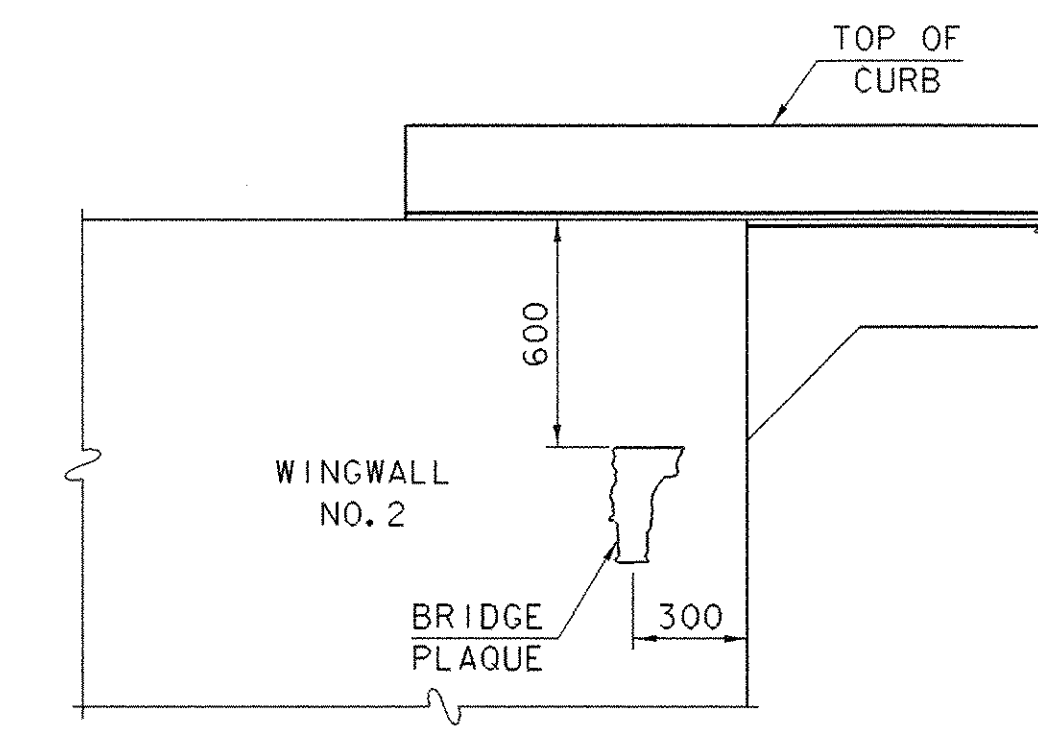
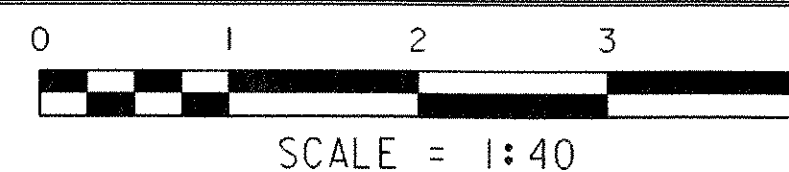


**BRIDGE PLAQUE
PLAN
NOT TO SCALE**

ABUTMENT NO. 1 PLAN



ABUTMENT NO. 1 ELEVATION



**BRIDGE PLAQUE
VIEW "A-A"
NOT TO SCALE**

BRIDGE PLAQUE NOTES

1. VTRANS WILL SUPPLY THE BRIDGE PLAQUE.
2. INSTALL THE PLAQUE AS SHOWN OR AS DIRECTED BY THE ENGINEER.
3. INCLUDE PAYMENT FOR INSTALLATION IN ITEM 501.33 "CONCRETE, HIGH PERFORMANCE CLASS A".

NOTE:

NF = NEAR FACE
 FF = FAR FACE
 EF = EACH FACE
 ▲ = CUT TO FIT IN FIELD
 75 COVER UNLESS OTHERWISE SPECIFIED ON THE PLANS.
 660 MIN. LAP LENGTH UNLESS OTHERWISE SPECIFIED ON THE PLANS

**SUBSTRUCTURE
ABUTMENT 1**

PROJECT NAME: RUTLAND TOWN
 PROJECT NUMBER: BRF 019-3(48)

FILE NAME: sb172sbl1
 PROJECT LEADER: R. WHITCOMB
 DESIGNED BY: T. LACKEY
 95b172/str/sb172sub.dgn

PLOT DATE: 11-MAR-2008
 DRAWN BY: D. PETERSON
 CHECKED BY:
 SHEET 54 OF 75