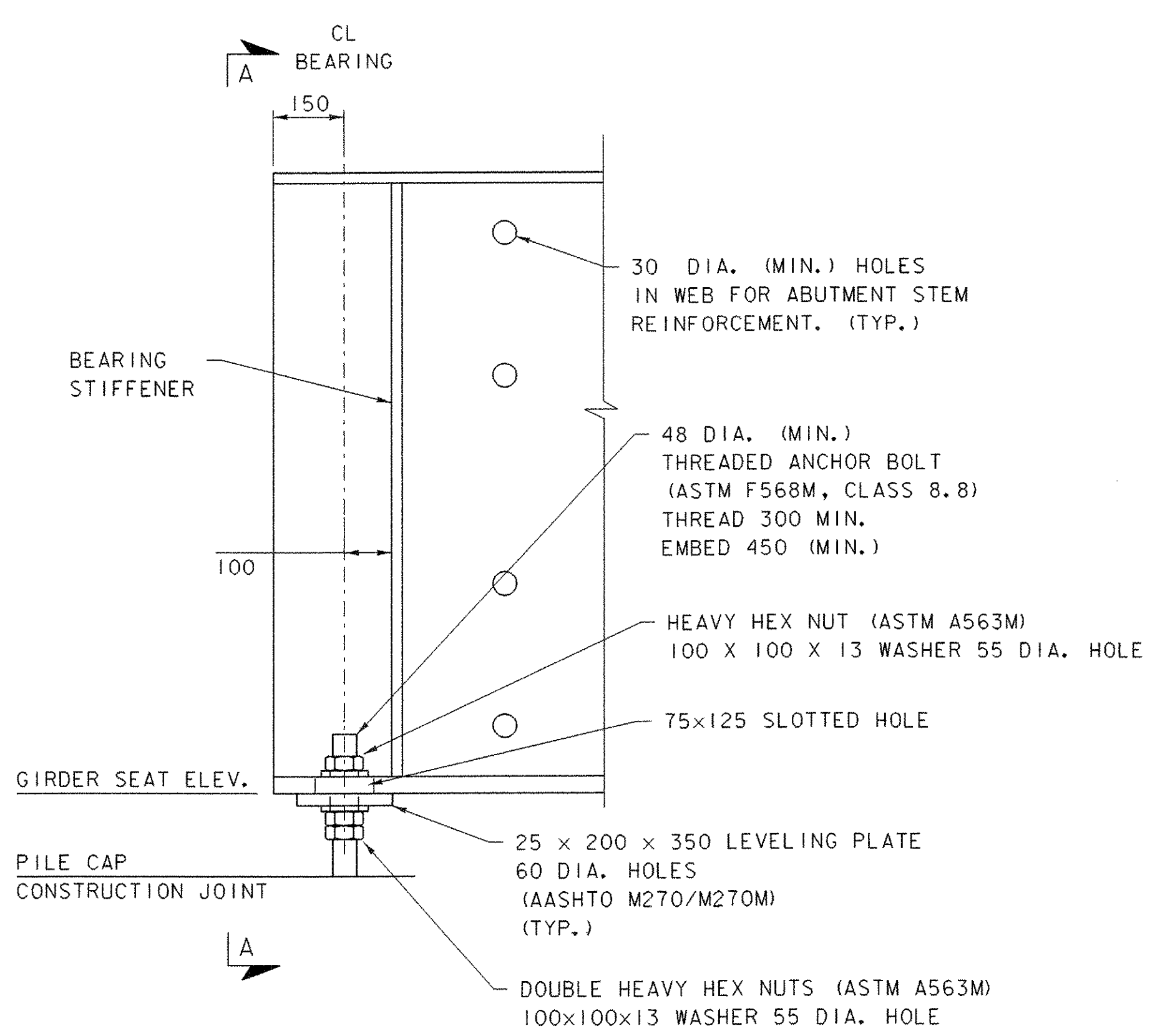
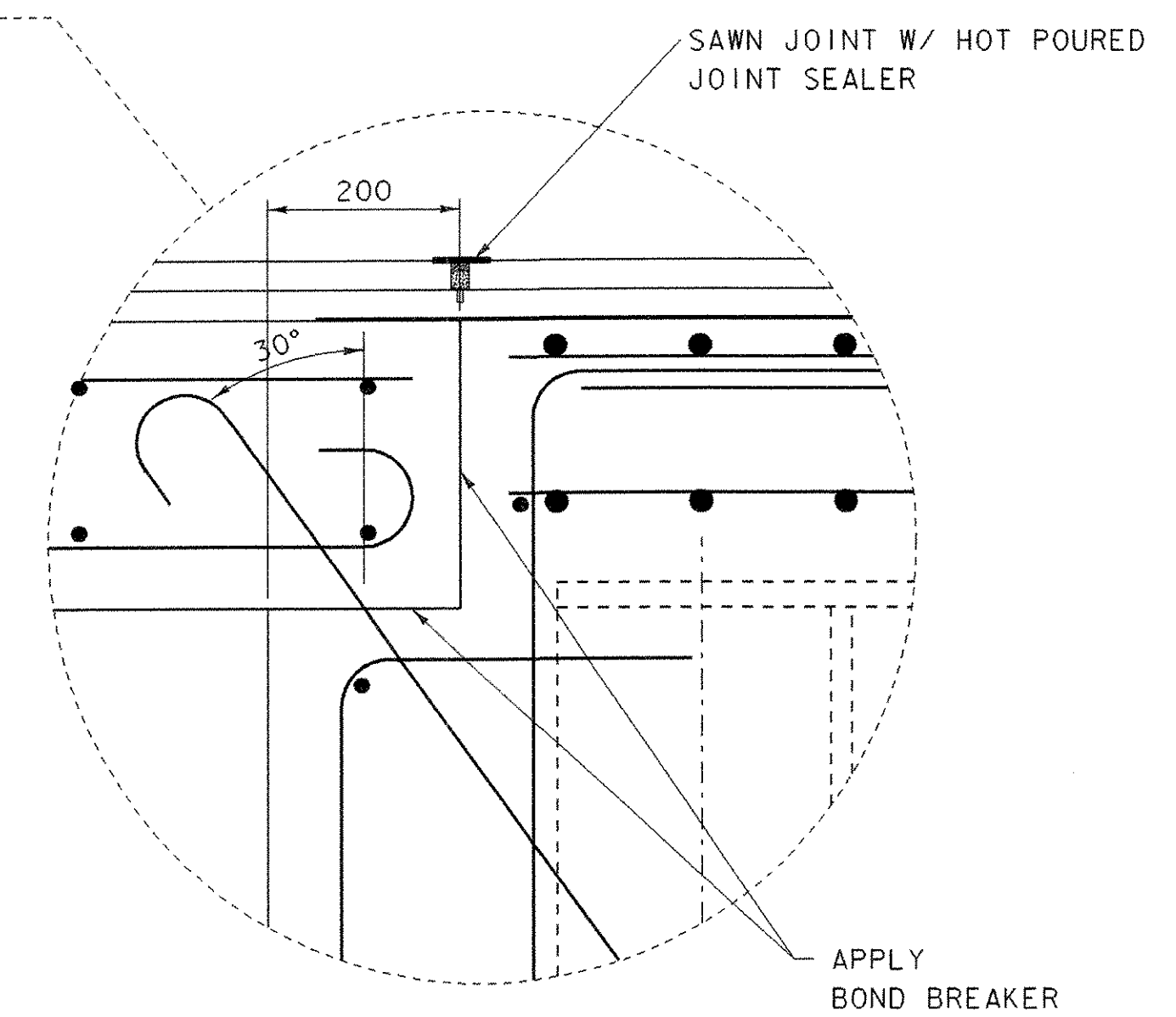
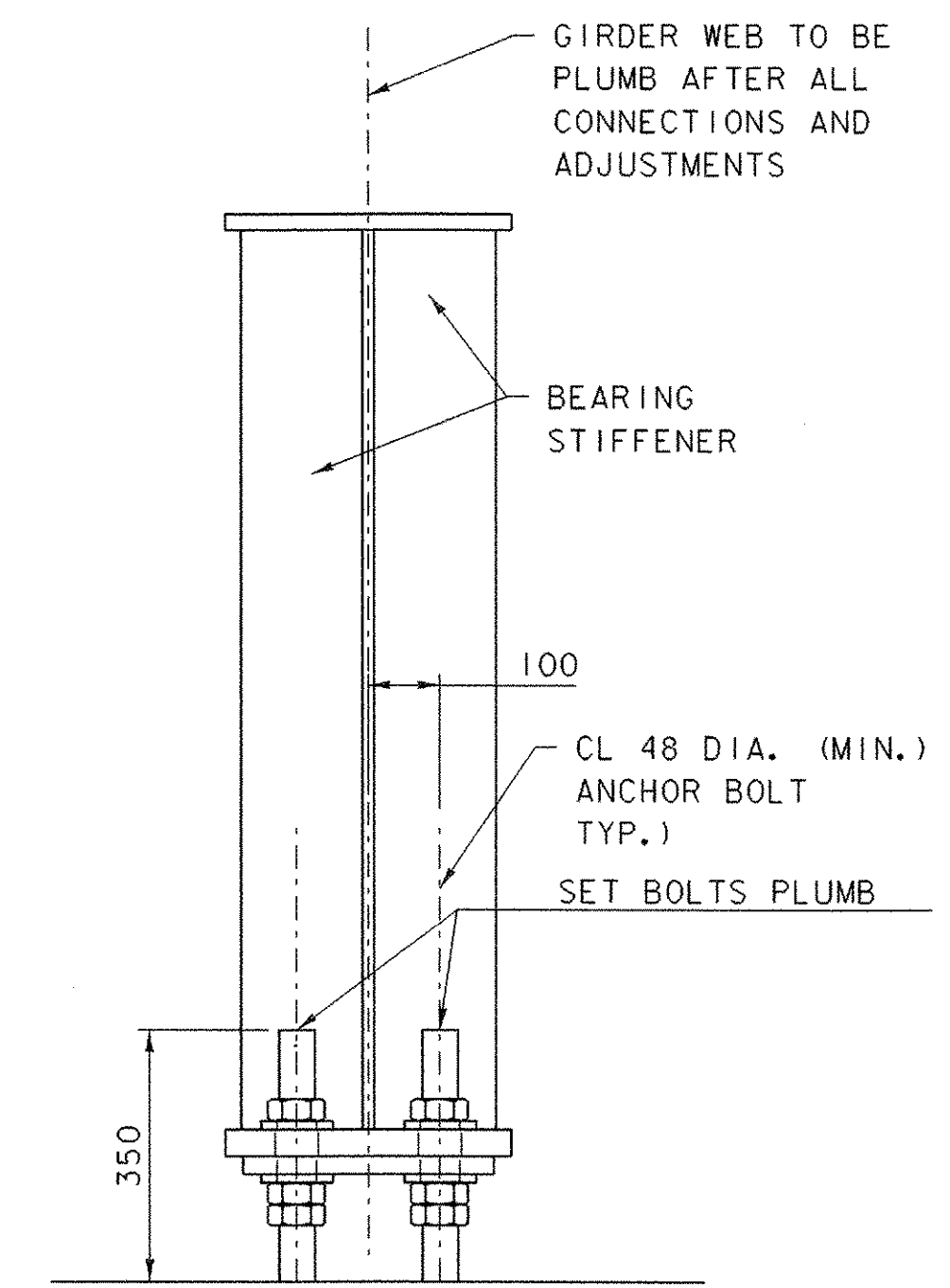


INTEGRAL ABUTMENT DETAIL
SCALE = 1:10



TYPICAL GIRDER ELEVATION
SCALE = 1:10



TYPICAL GIRDER VIEW A-A
SCALE = 1:10

NOTE:
 NF = NEAR FACE
 FF = FAR FACE
 EF = EACH FACE
 ▲ = CUT TO FIT IN FIELD
 75 COVER UNLESS OTHERWISE SPECIFIED ON THE PLANS.
 660 MIN. LAP LENGTH UNLESS OTHERWISE SPECIFIED ON THE PLANS

SUPERSTRUCTURE BRIDGE END DETAILS

PROJECT NAME: RUTLAND TOWN	PLOT DATE: 11-MAR-2008
PROJECT NUMBER: BRF 019-3(48)	DRAWN BY: D. PETERSON
FILE NAME: sb172sp8.1	CHECKED BY: R. WHITCOMB
PROJECT LEADER: R. WHITCOMB	SHEET 53 OF 75
DESIGNED BY: T. LACKEY	
95b172/structures/sb172sup.dgn	