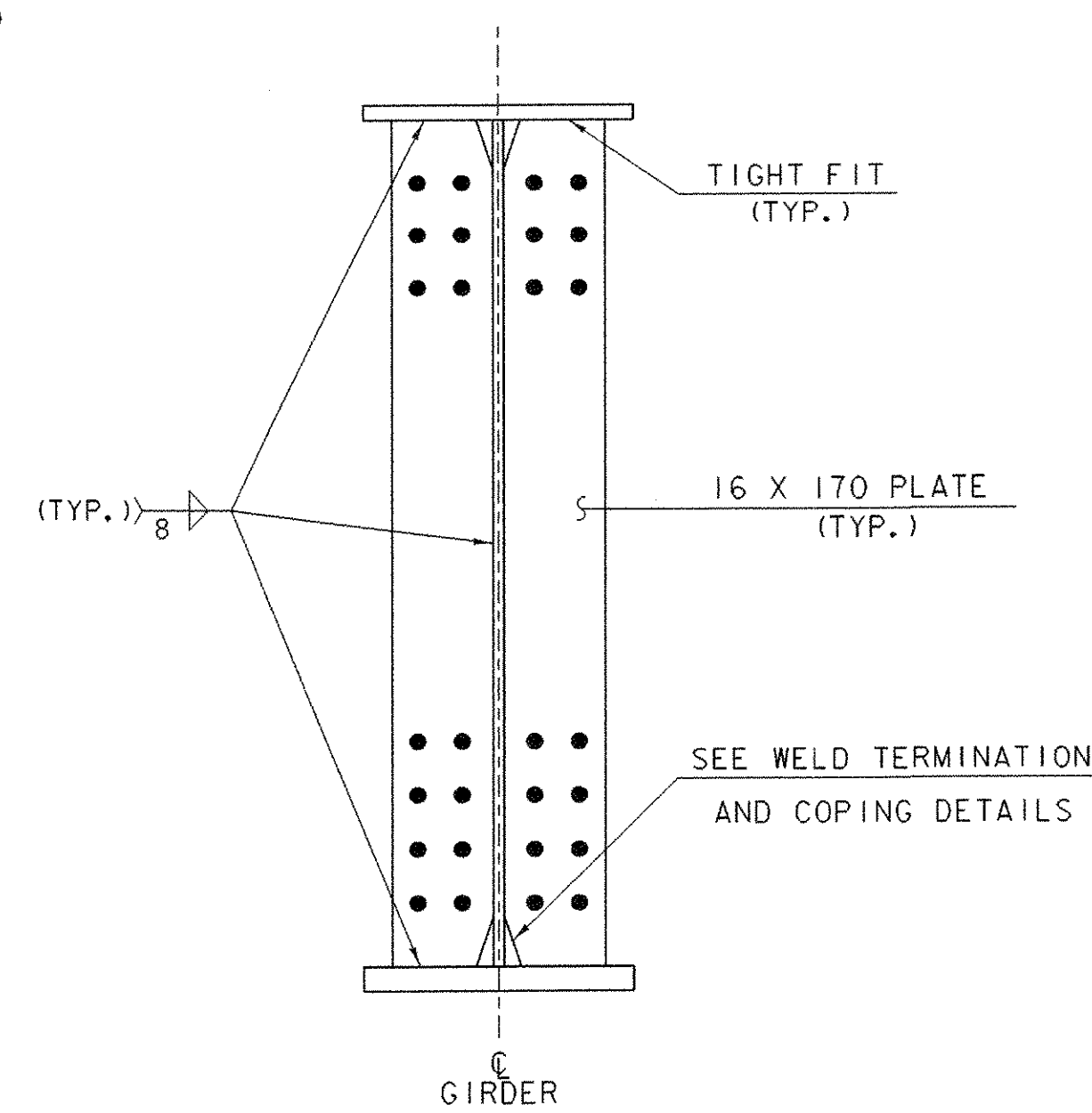
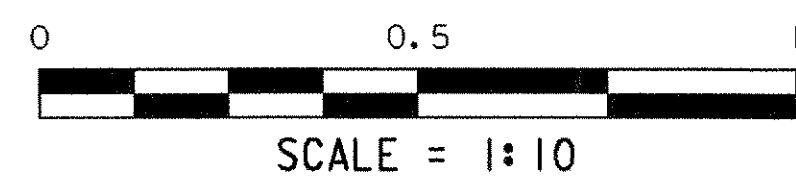
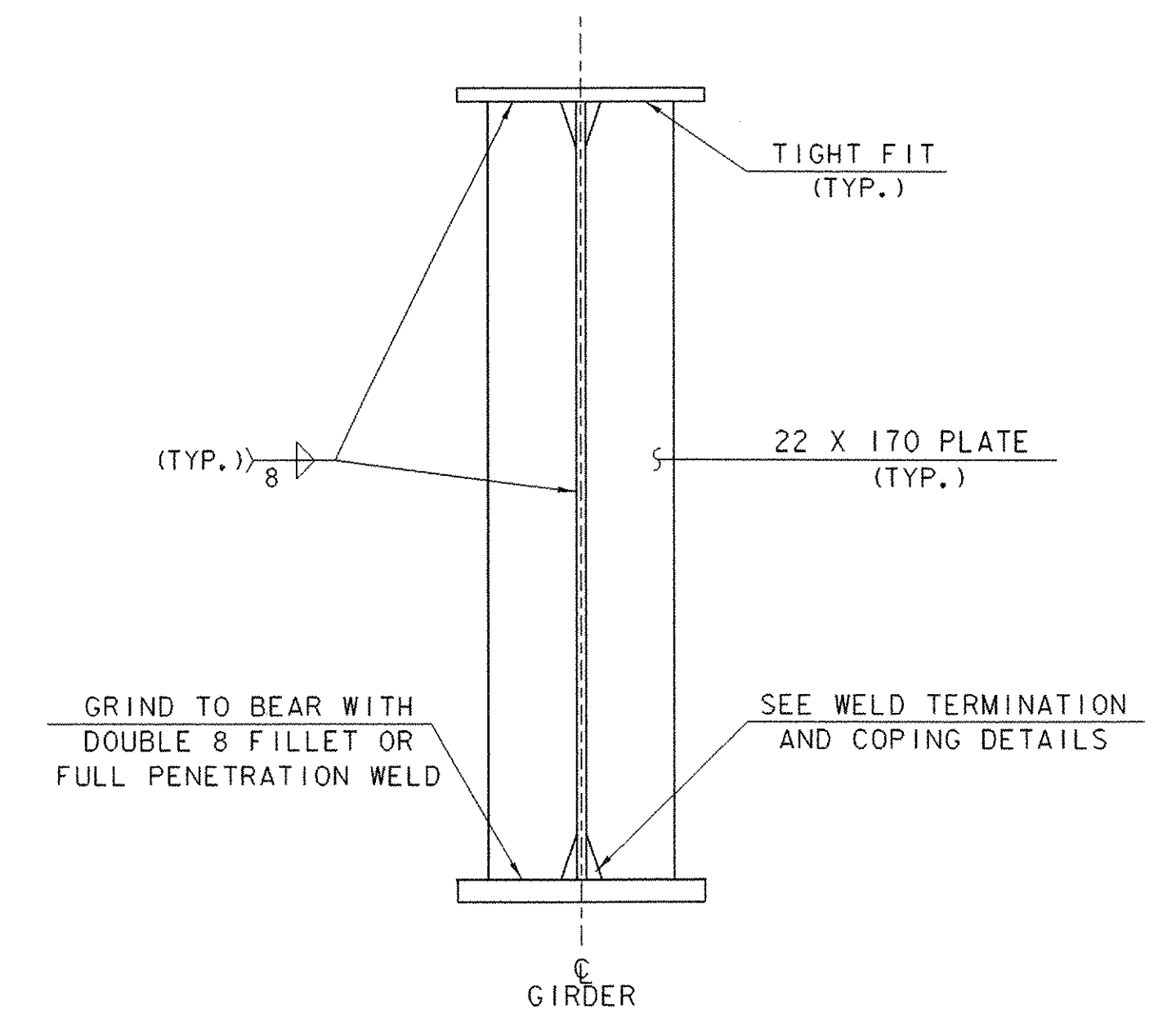
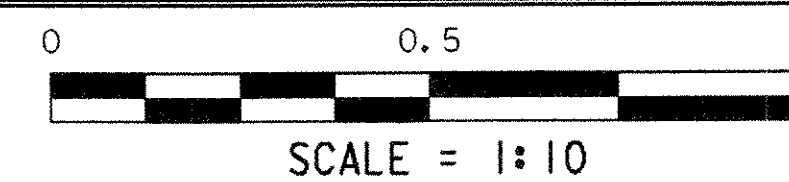


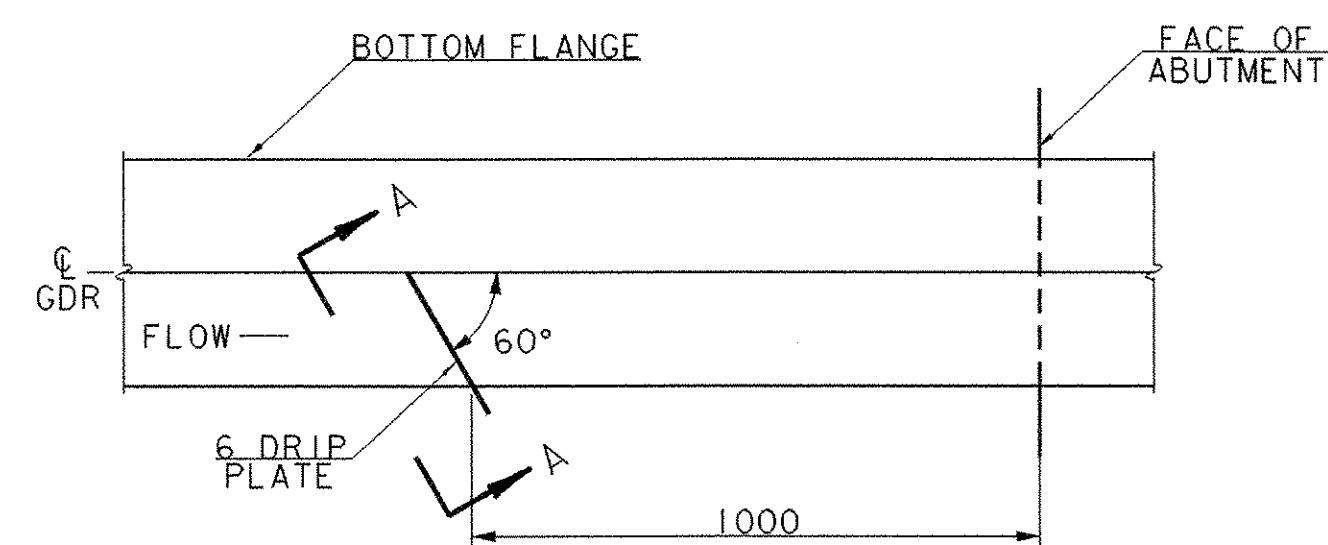
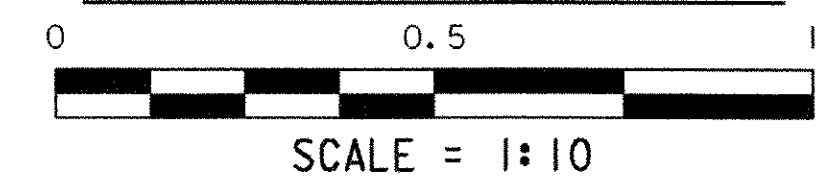
**INTERMEDIATE CROSS FRAME**



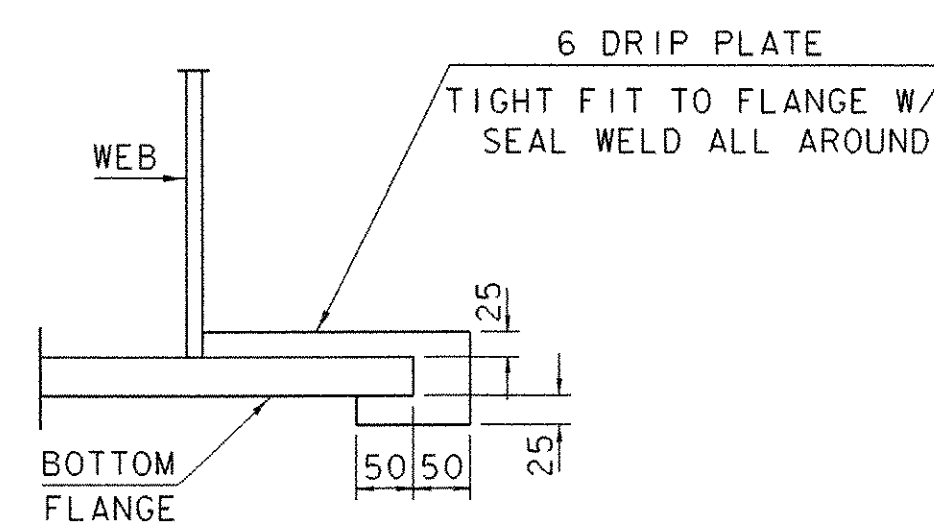
**INTERMEDIATE CROSS FRAME CONNECTION PLATE DETAIL**



**ABUTMENT BEARING STIFFENER DETAIL**



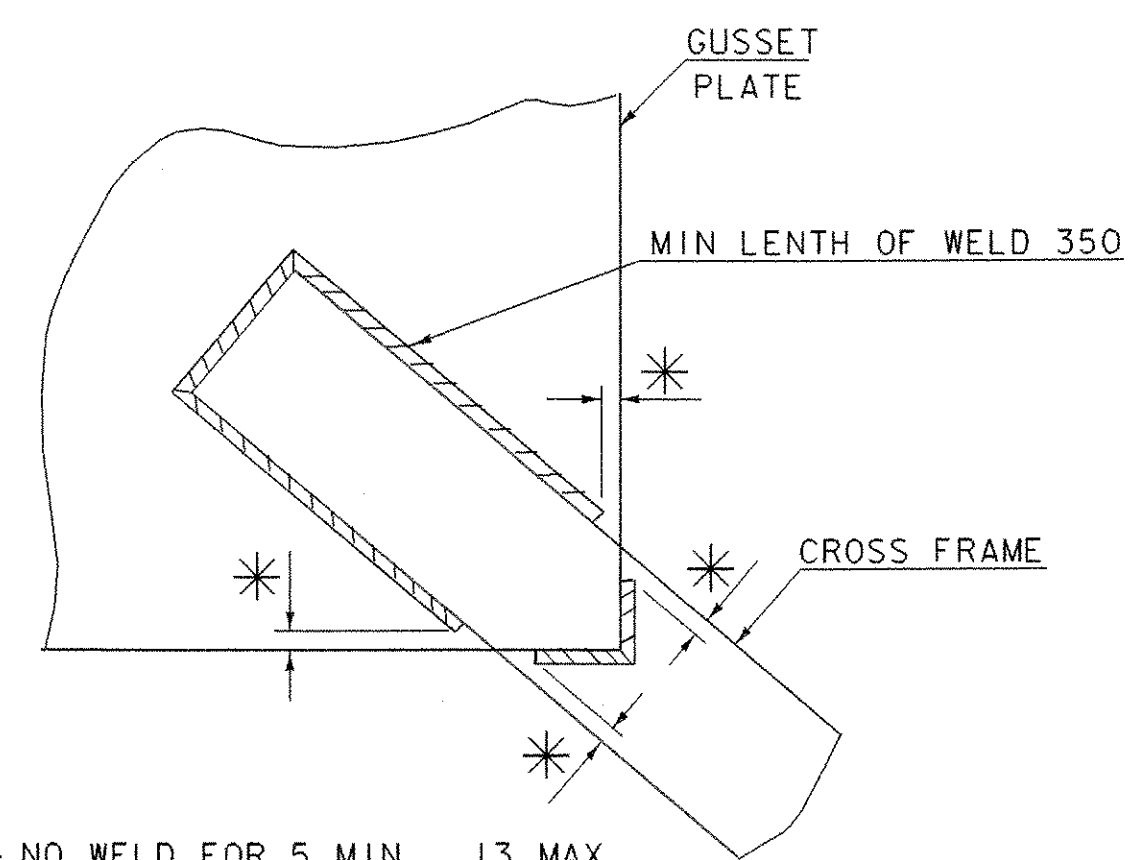
**DRIP PLATE PLAN**



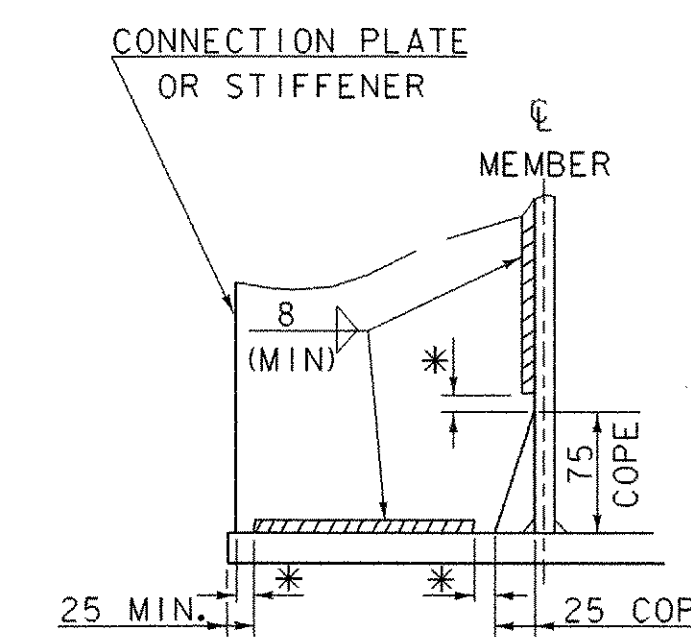
**SECTION A-A**

**NOTES:**

DRIP PLATES SHALL BE PLACED ON OUTSIDE EDGE OF FASCIA GIRDERS ON THE HIGH SIDE OF BOTH ABUTMENTS OR AS INDICATED ON THE PLANS



**WELD LOCATION DETAIL AT INTERMEDIATE CROSS FRAMES**



\* NO WELD FOR 10 MIN. 13 MAX. (EXCEPT MUST MAINTAIN 25 MINIMUM FROM EDGE OF FLANGE.)

**WELD TERMINATION AND COPING DETAIL FOR WELDED PLATE GIRDERS**

NTS

**SUPERSTRUCTURE CROSS FRAMES**

PROJECT NAME: RUTLAND TOWN  
PROJECT NUMBER: BRF 019-3(48)

FILE NAME: sb172sp5.1  
PROJECT LEADER: R. WHITCOMB  
DESIGNED BY: T. LACKEY  
95b172/structures/sb172sup.dgn

PLOT DATE: 11-MAR-2008  
DRAWN BY: D. PETERSON  
CHECKED BY: R. WHITCOMB  
SHEET 50 OF 75