

CONSTRUCT PAVED DRIVE
 2+263.0 RT. - 4.5 M WIDE, PAVED

REMOVAL AND DISPOSAL OF GUARDRAIL
 2+260.0 LT. - 2+283.1 LT.
 2+275.6 RT. - 2+285.0 RT.
 2+322.0 LT. - 2+400.0 LT.
 2+324.4 RT. - 2+370.8 RT.

ANCHOR FOR STEEL BEAM RAIL
 DRIVE 4+014.8 LT. - ML 2+274.7 RT.

GUARDRAIL APPROACH SECTION, GALVANIZED NETC 2 RAIL
 2+278.8 LT. - 2+287.7 LT.
 2+278.3 RT. - 2+287.3 RT.
 2+322.3 LT. - 2+331.3 LT.
 2+322.7 RT. - 2+331.7 RT.

VERTICAL GRANITE CURB
 2+275.6 LT. - 2+287.7 LT.
 2+275.2 RT. - 2+287.3 RT.
 2+322.3 LT. - 2+334.4 LT.
 2+322.7 RT. - 2+335.1 RT.

STEEL BEAM GUARDRAIL, GALVANIZED
 2+260.0 LT. - 2+278.8 LT.
 2+274.7 RT. - 2+278.3 RT.
 2+331.3 LT. - 2+400.0 LT.
 2+331.7 RT. - 2+358.6 RT.

BRIDGE RAILING, GALVANIZED NETC 2 RAIL
 2+287.7 LT. - 2+322.3 LT.
 2+287.3 RT. - 2+322.7 RT.

MANUFACTURED TERMINAL SECTION, FLARED
 2+260.0 RT. - 2+261.5 RT.
 2+358.6 RT. - 2+370.0 RT.

REMOVING AND RESETTING FENCE
 2+372.7 RT. - 2+418.5 RT.

RELOCATE MAILBOX, SINGLE SUPPORT
 2+261.2 RT.
 2+262.2 RT.

REMOVING SIGNS
 2+386 RT

ERECTING SALVAGED SIGNS
 2+386 RT

SETTING SALVAGED POSTS
 2+386 RT

UTILITIES
 UTILITY WORK TO BE DONE BY OTHERS

REMOVAL OF EXISTING FENCE
 2+314.2 RT. - 2+315.0 RT.
 2+315.3 LT. - 2+316.9 LT.

ANCHOR TO BE REPLACED WITH PUSH BRACE
 12.1 m HIGH BY OTHERS

STA. 2+322.256
 END BRIDGE
 F.G. 198.198

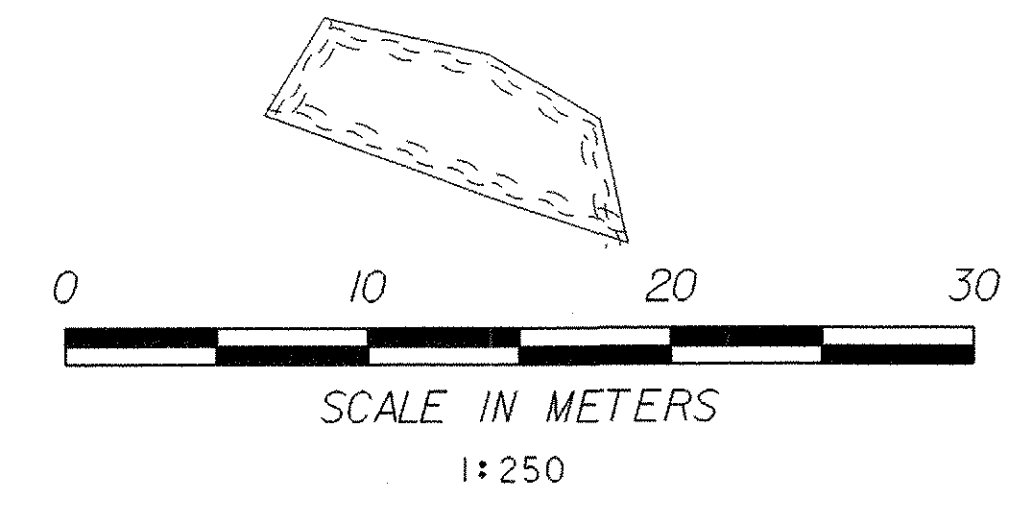
STA. 2+287.750
 BEGIN BRIDGE
 F.G. 198.156

ANCHOR TO BE REPLACED WITH 5 m ANCHOR
 13.6 m HIGH BY OTHERS

POLE & ANCHOR TO BE REMOVED BY OTHERS

NEW POLE
 97-1/4513
 STA 4+032.5 LT 5.0
 DEFL 14° LT
 5 m ANCHOR
 13.6 m HIGH BY OTHERS

LAYOUT PLAN 2



PROJECT NAME: RUTLAND TOWN	PLOT DATE: 11-MAR-2008
PROJECT NUMBER: BRF 019-3(48)	DRAWN BY: T. LACKEY
FILE NAME: sb172lp2.i	CHECKED BY: R.WHITCOMB
PROJECT LEADER: R.WHITCOMB	SHEET 21 OF 75
DESIGNED BY: T. LACKEY	
95b172/sb172bdr.dgn	