

1A
MARGAR, LLC
Joined by
VERIZON NEW ENGLAND, INC.

5
BAKER, JESSIE L.
STATE OF VERMONT
HWY PROJECT # BR 13
HWY. EASE. VOL. 11 PG. 158 1949

WILLIAMS, SHERWIN L.

4
CENTRAL VERMONT
PUBLIC SERVICE CORP.
FLOWAGE RIGHTS

STATE OF VERMONT
HWY PROJECT # FAP 109B
OC VOL. 4 PG. 100 1932

STATE OF VERMONT
HWY PROJECT # BR 13
WOOD. VOL. 11 PG. 171 1949

1B
HVCTRL

2B
HVCTRL

2A
POLE & ANCHOR
TO BE REMOVED
BY OTHERS

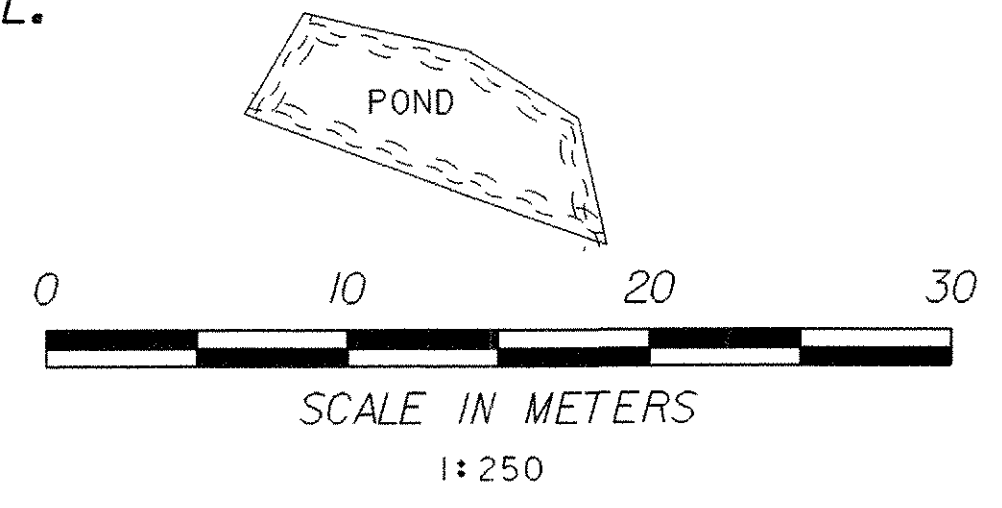
FAIGNANT, JOHN PAUL

LINES SHOWN ON THIS PLAN AS EXISTING
PROPERTY LINES P/L ARE BELIEVED TO
BE ACCURATE BUT SHOULD NOT BE RELIED
UPON FOR PURPOSES UNRELATED TO THE
STATE OF VERMONT'S ACQUISITION OF LAND
AND RIGHTS FOR THIS PROJECT.

3A
WILLIAMS, SHERWIN L.

**FOR R.O.W.
USE ONLY**

R.O.W. LAYOUT PLAN 2



PROJECT NAME:	RUTLAND TOWN	PLOT DATE:	11-MAR-2008
PROJECT NUMBER:	BRF 019-3(48)	DRAWN BY:	T. LACKY
FILE NAME:	sb172lp2.1	CHECKED BY:	R.WHITCOMB
PROJECT LEADER:	R.WHITCOMB	ROW SHEET 18 OF 19	SHEET 13 OF 75