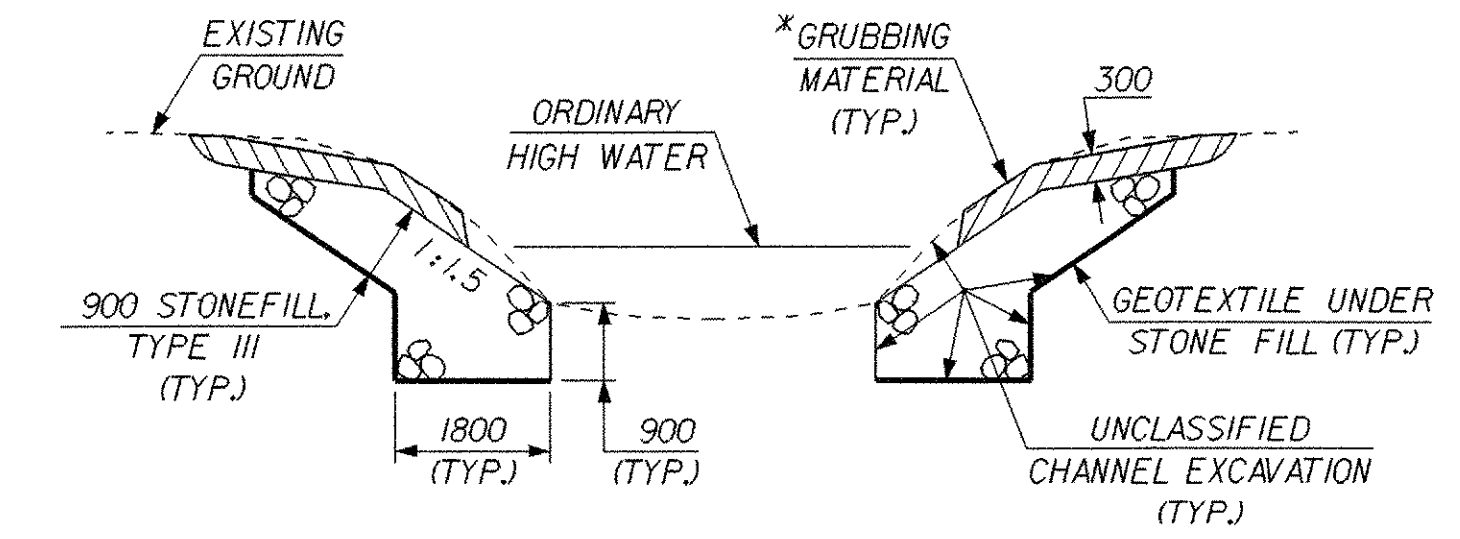
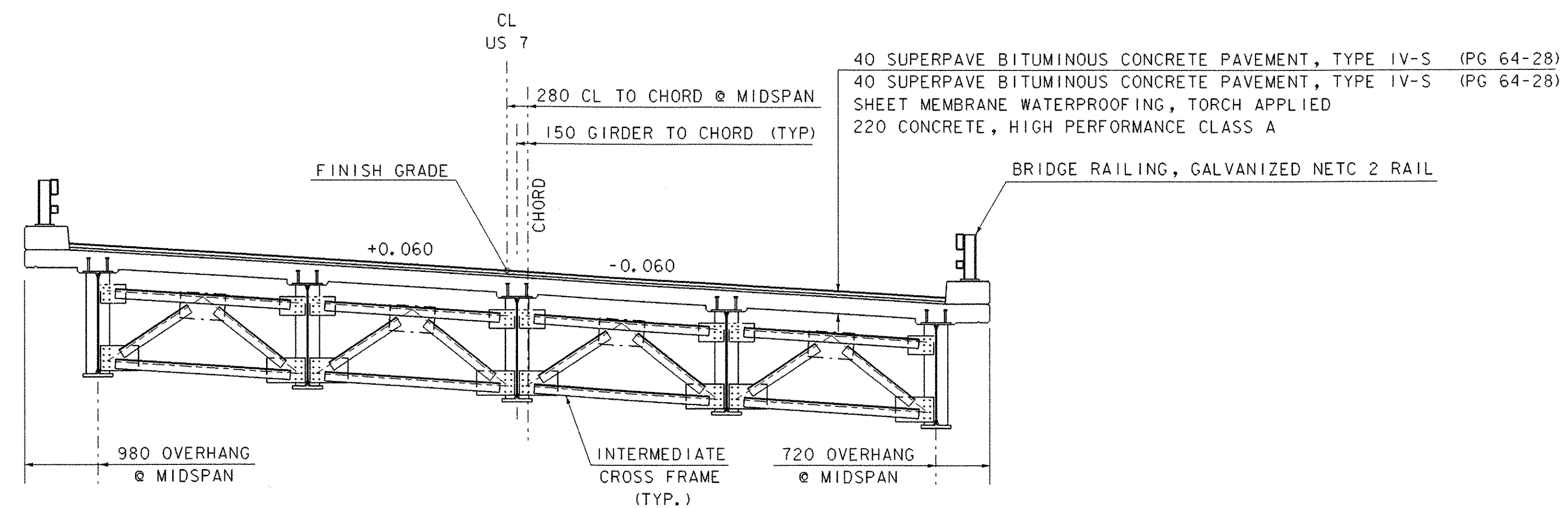


BRIDGE TYPICAL SECTION
AT THE ABUTMENT CENTERLINE



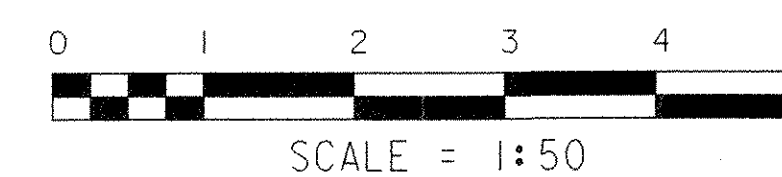
TYPICAL CHANNEL SECTION
(NOT TO SCALE)

* GRUBBING MATERIAL SHALL NOT BE PLACED ON THE STONE FILL IN THE AREA UNDER THE BRIDGE. WHENEVER CHANNEL SLOPE INTERSECTS ROADWAY SUBBASE, GRUBBING MATERIAL SHALL BEGIN AT THE BOTTOM OF SUBBASE.



BRIDGE TYPICAL SECTION
AT THE MIDSPAN

TYPICAL SECTIONS
STRUCTURE



PROJECT NAME:	RUTLAND TOWN	PLOT DATE:	11-MAR-2008
PROJECT NUMBER:	BRF 019-3(48)	DRAWN BY:	T. LACKEY
FILE NAME:	sbi72+y2.1	CHECKED BY:	R. WHITCOMB
PROJECT LEADER:	R. WHITCOMB	SHEET 5	OF 75
DESIGNED BY:	T. LACKEY		
95bi72/structures/sbi72typ.dgn			