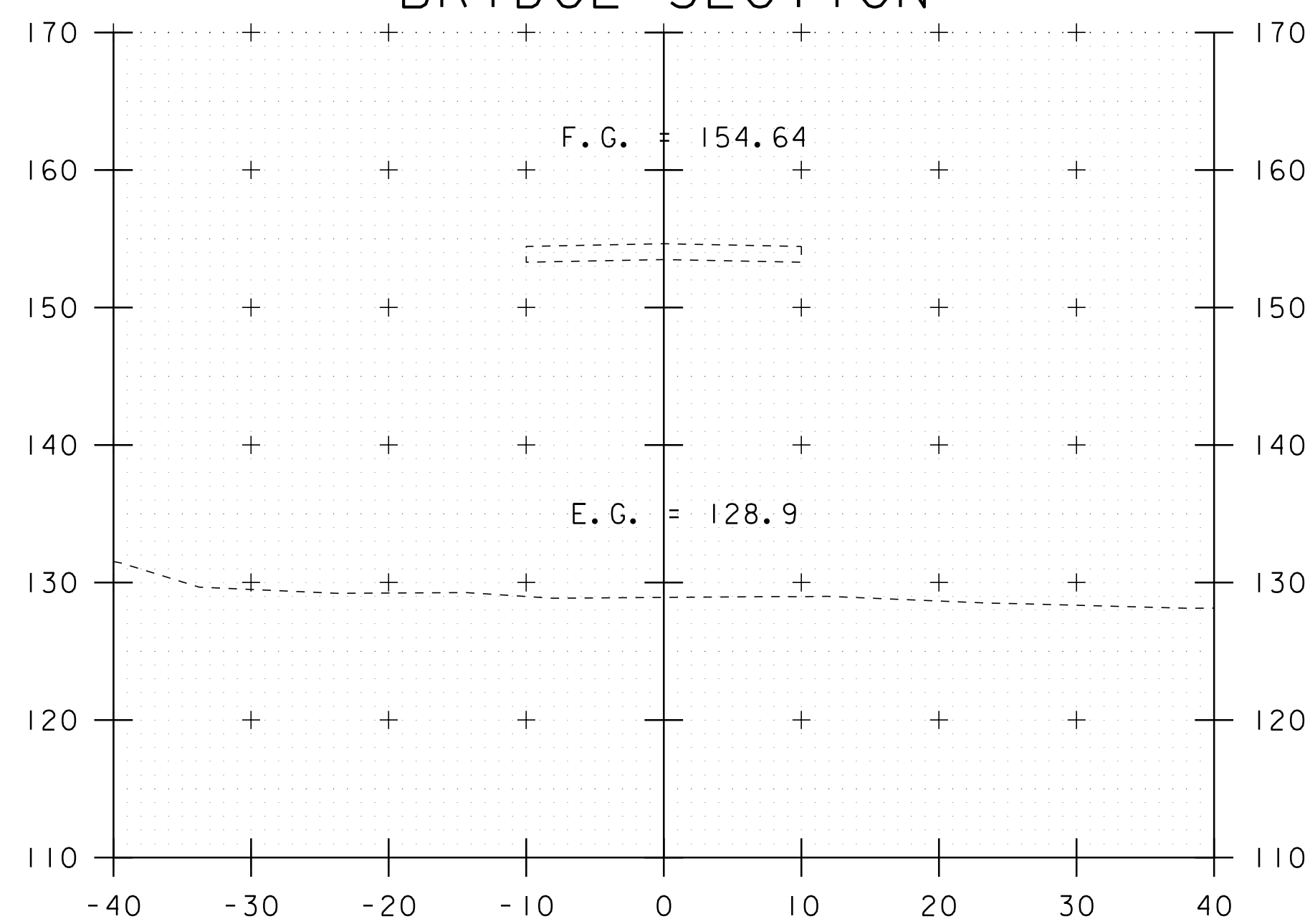
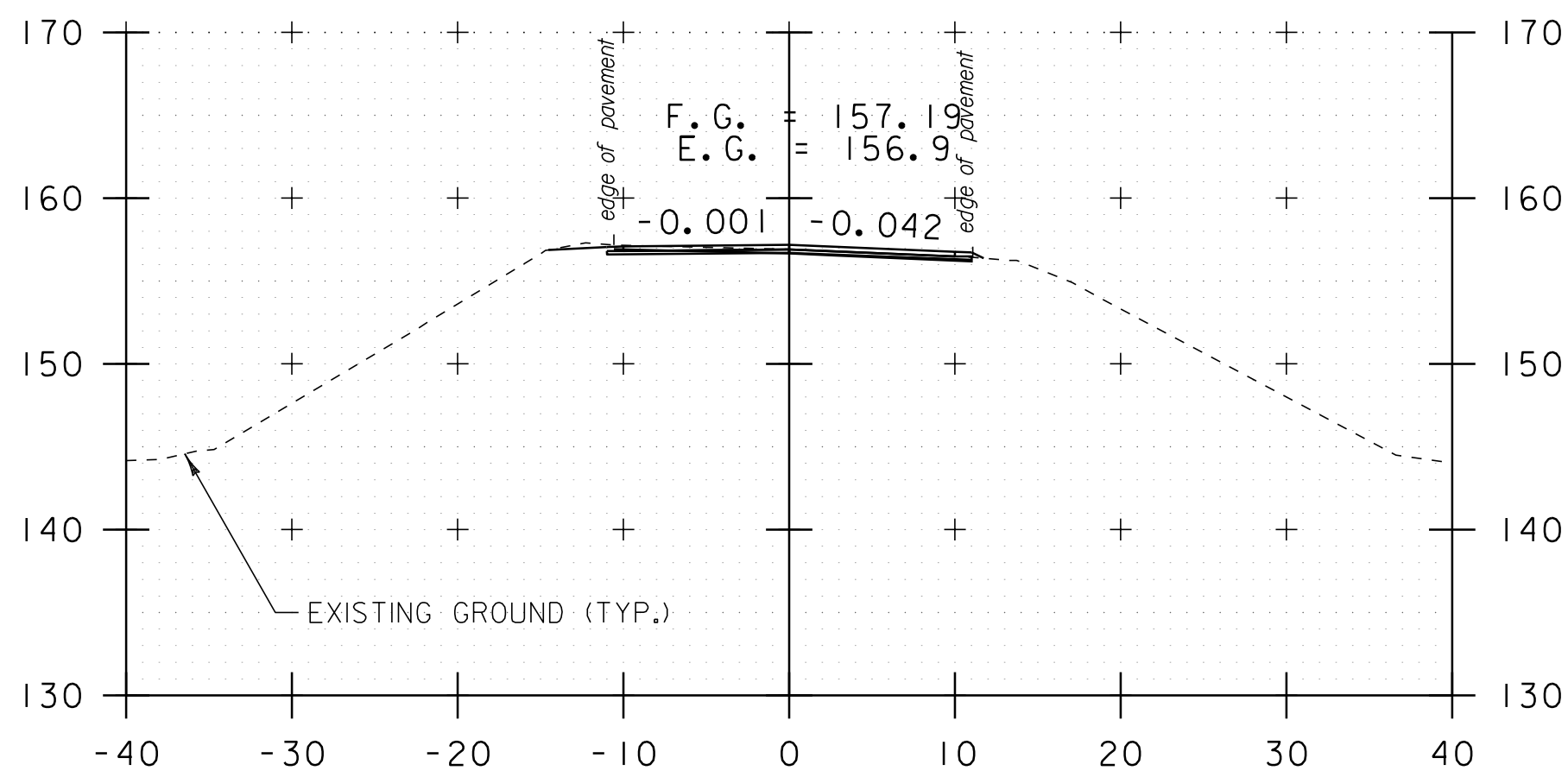


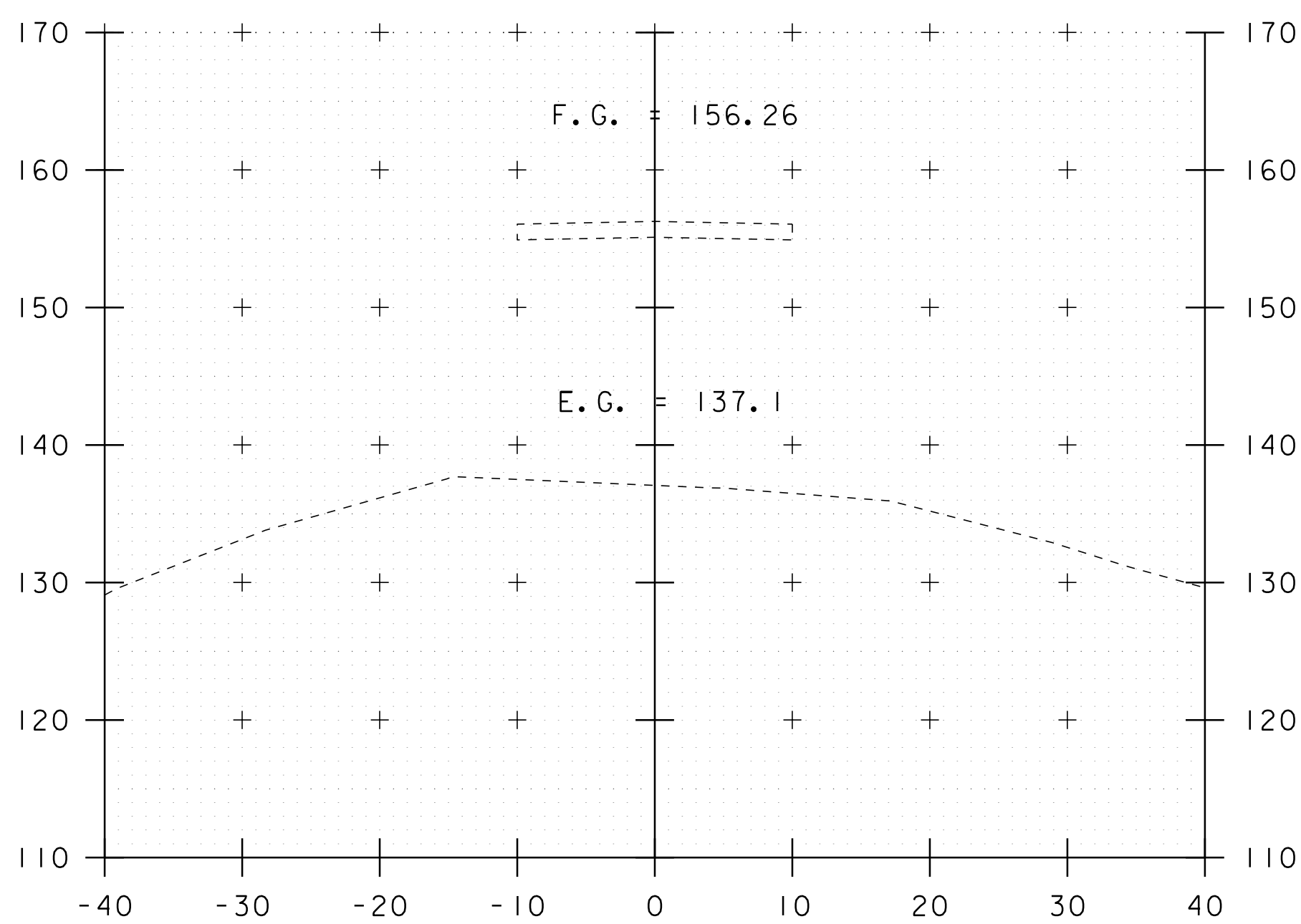
b 0+85
BRIDGE SECTION



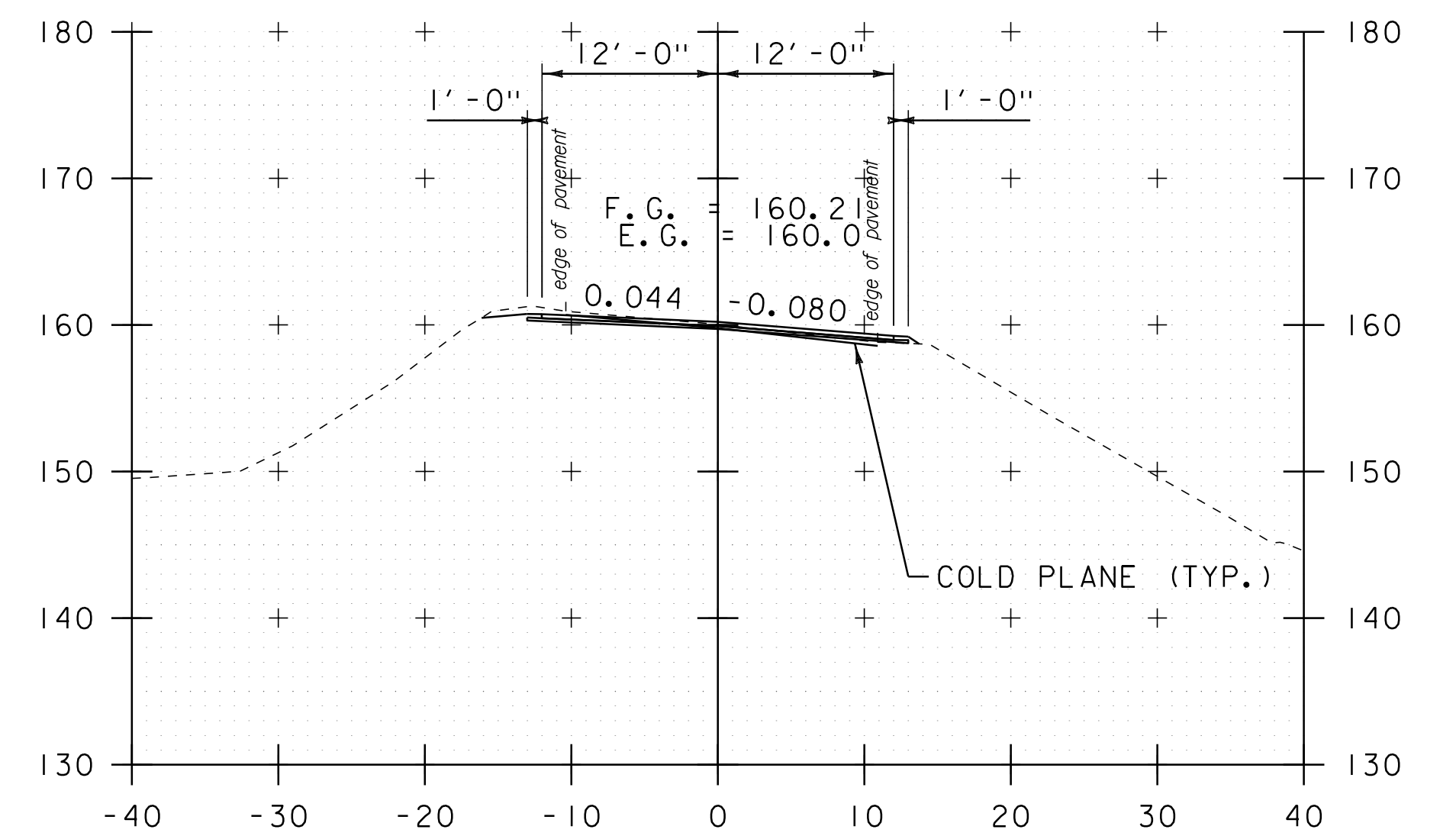
a 11+19
BRIDGE SECTION



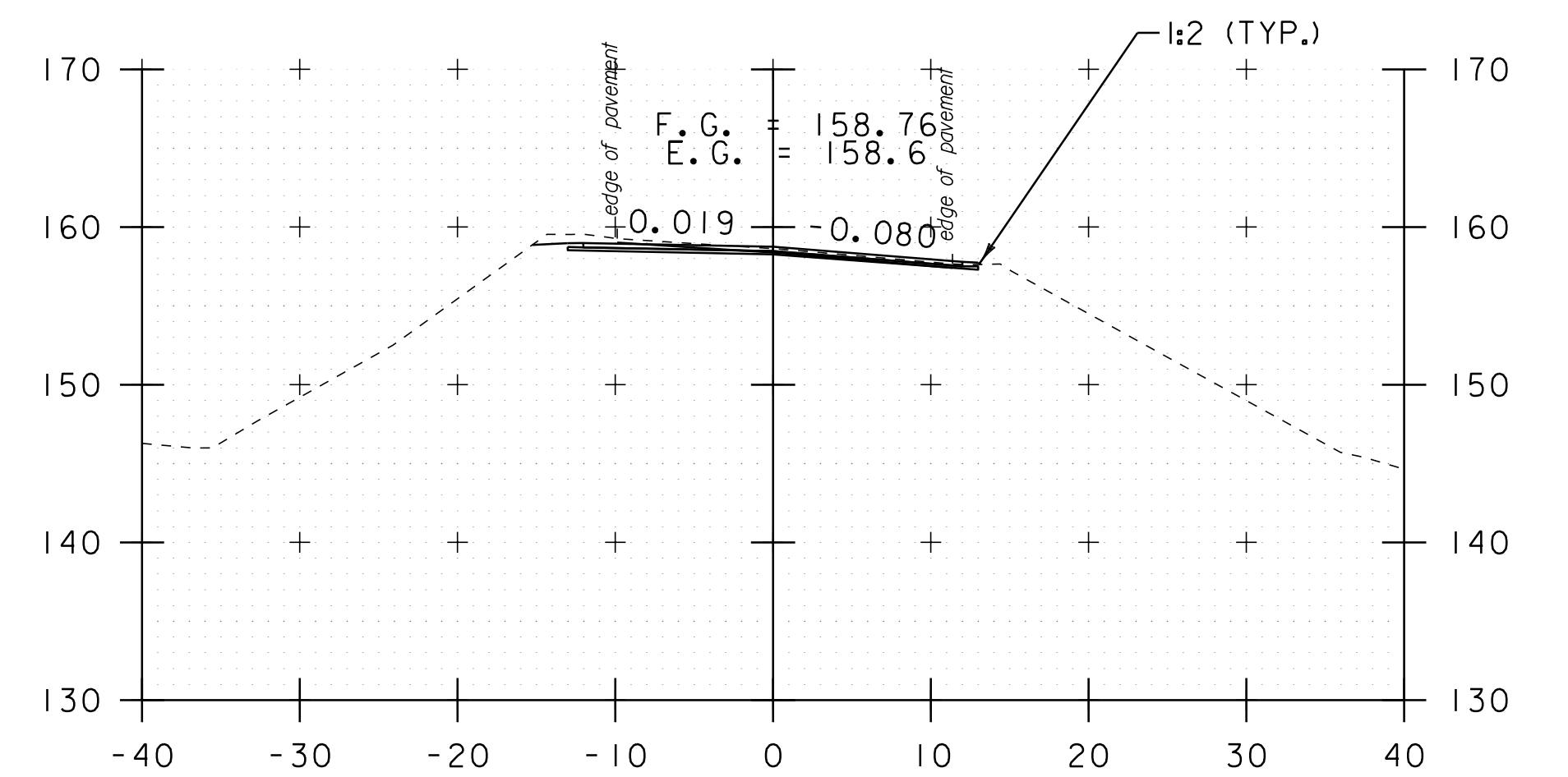
b 2+12



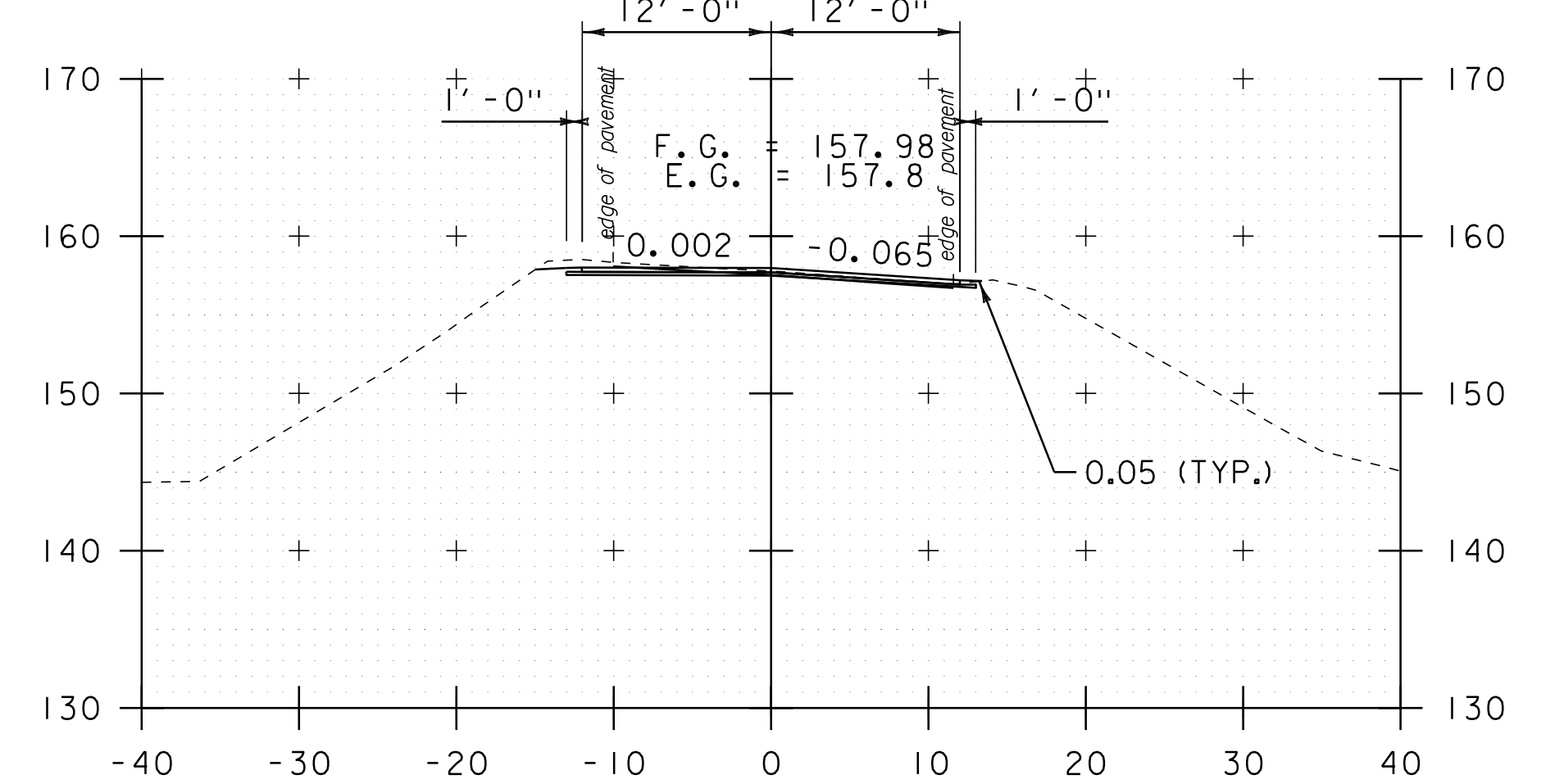
b 1+30
BRIDGE SECTION



b 3+50



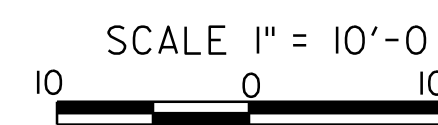
b 3+00



b 2+65

DATUM	NAVD 88
	NAD 83

STA. a 11+19 TO STA. b 3+50



CROSS SECTION SHEET 22

PROJECT NAME: ADDISON-NEW HAVEN

PROJECT NUMBER: STP 9632(1)

FILE NAME: p95B076.dgn

PROJECT LEADER: CDL

DESIGNED BY: SJL

PLOT FILE: p95B076_I27.1

PLOT DATE: 3/13/2012

DRAWN BY: SJL

CHECKED BY: EPD

SHEET 127 OF 186