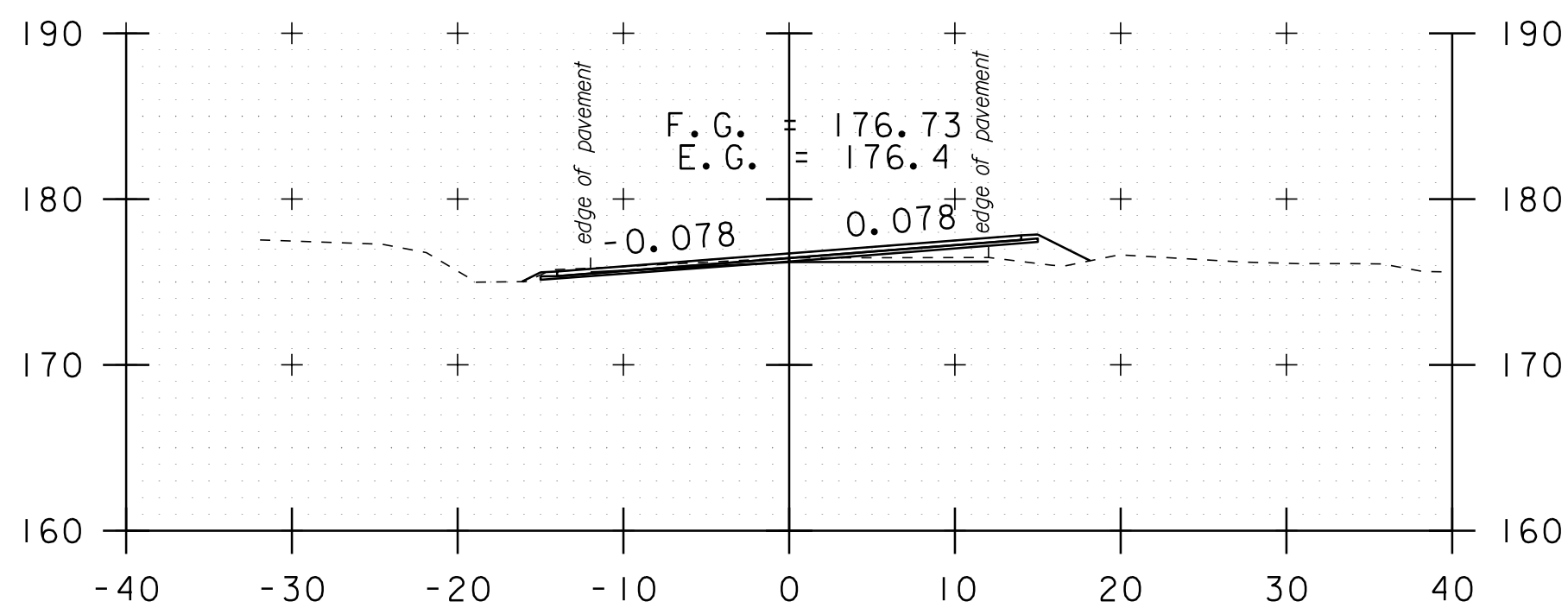
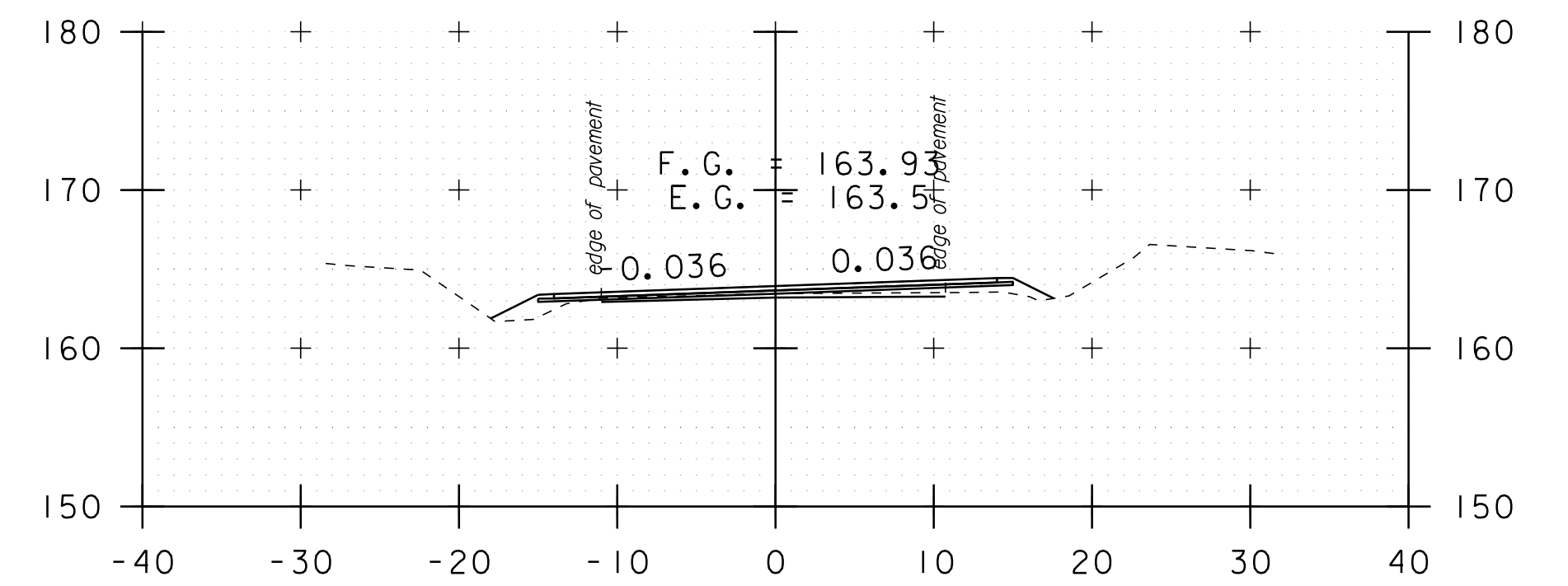


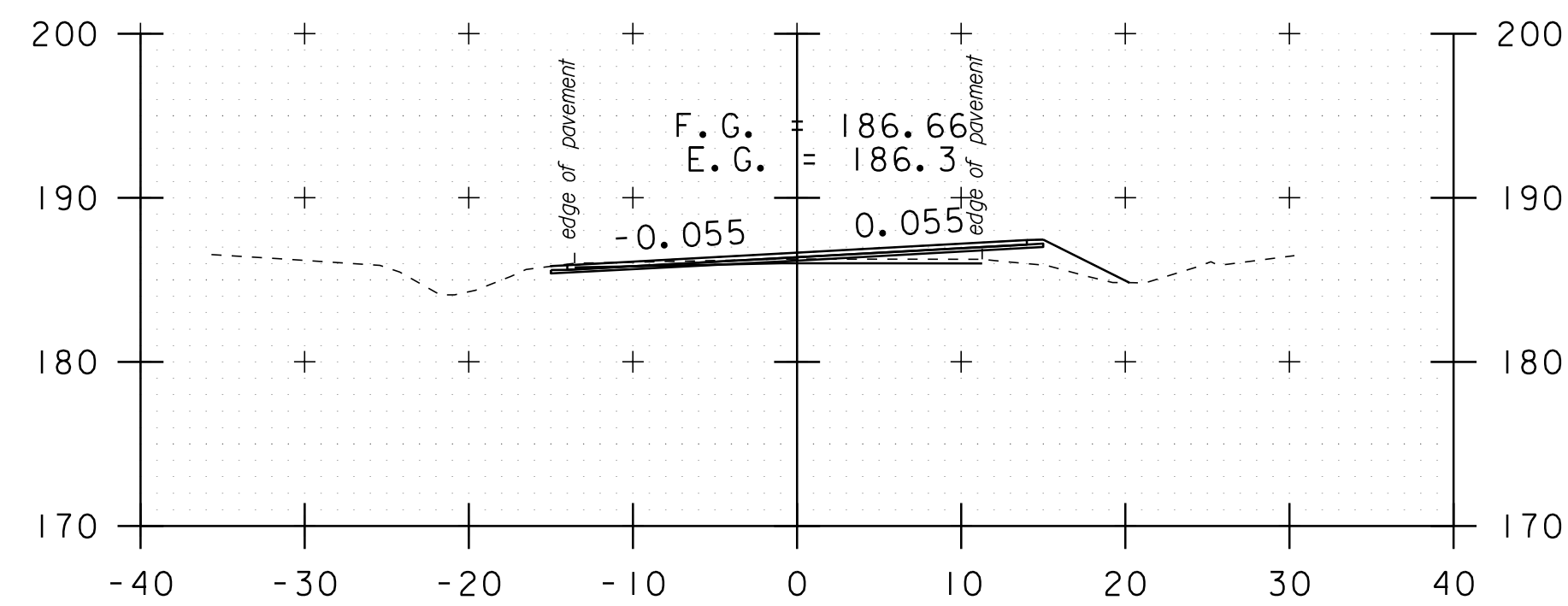
587+65



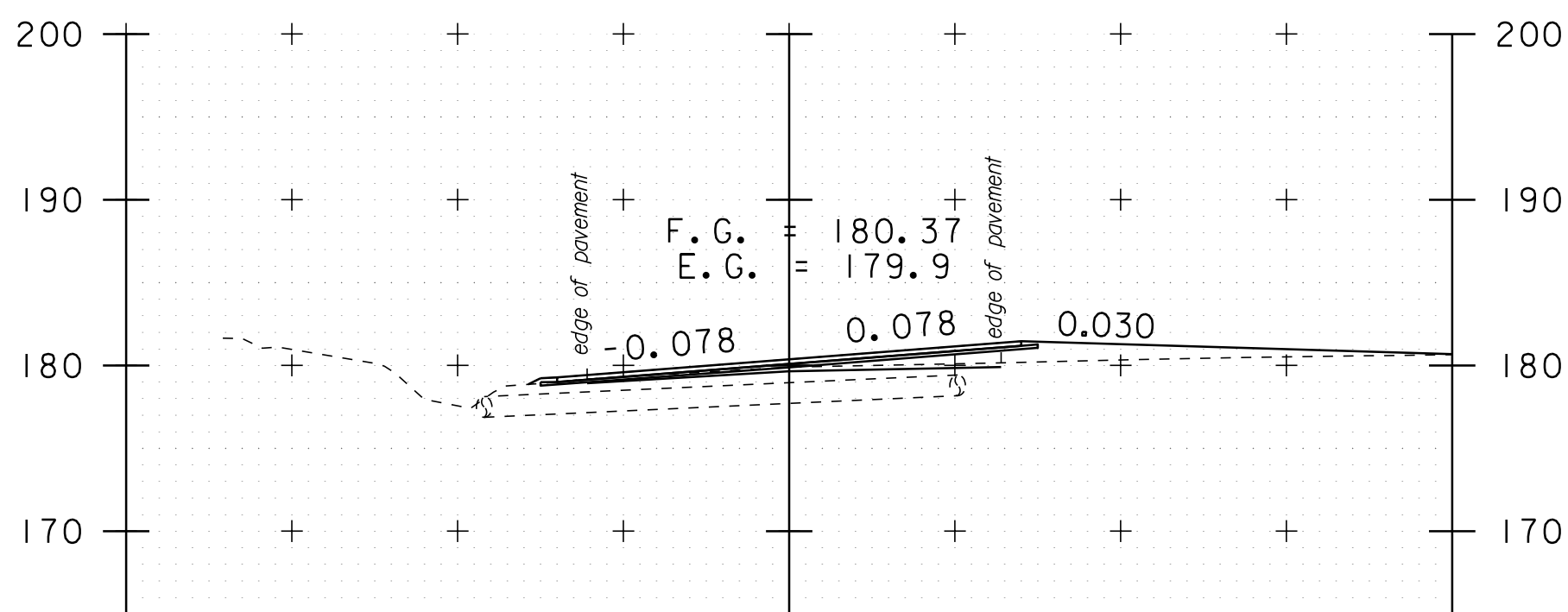
a 1+00



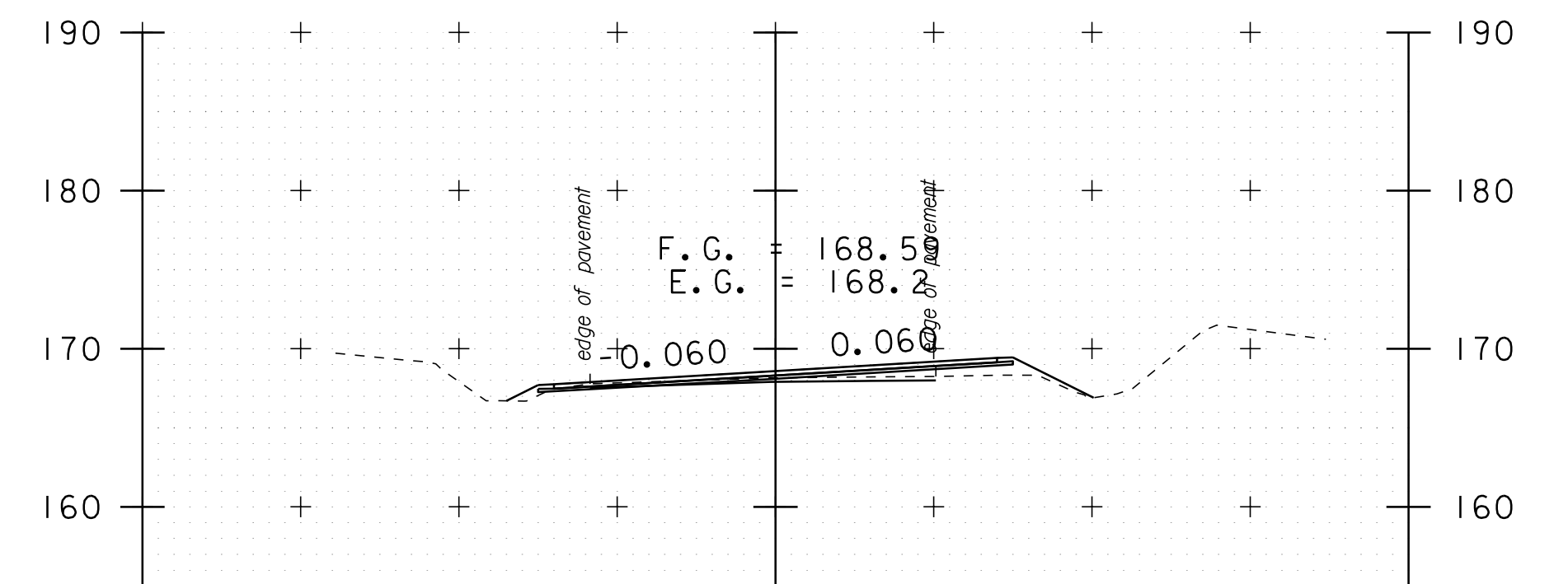
a 2+40



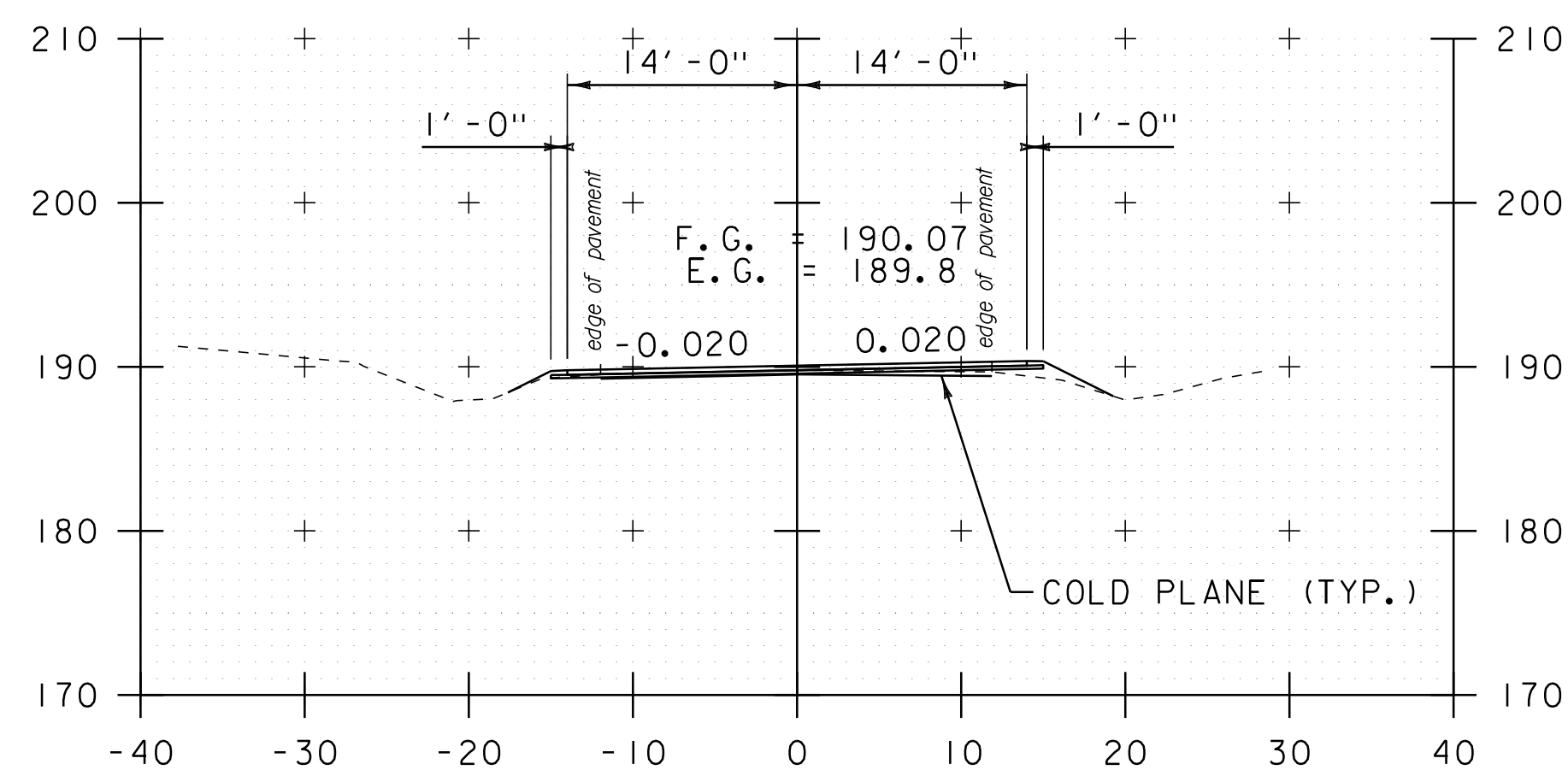
587+15



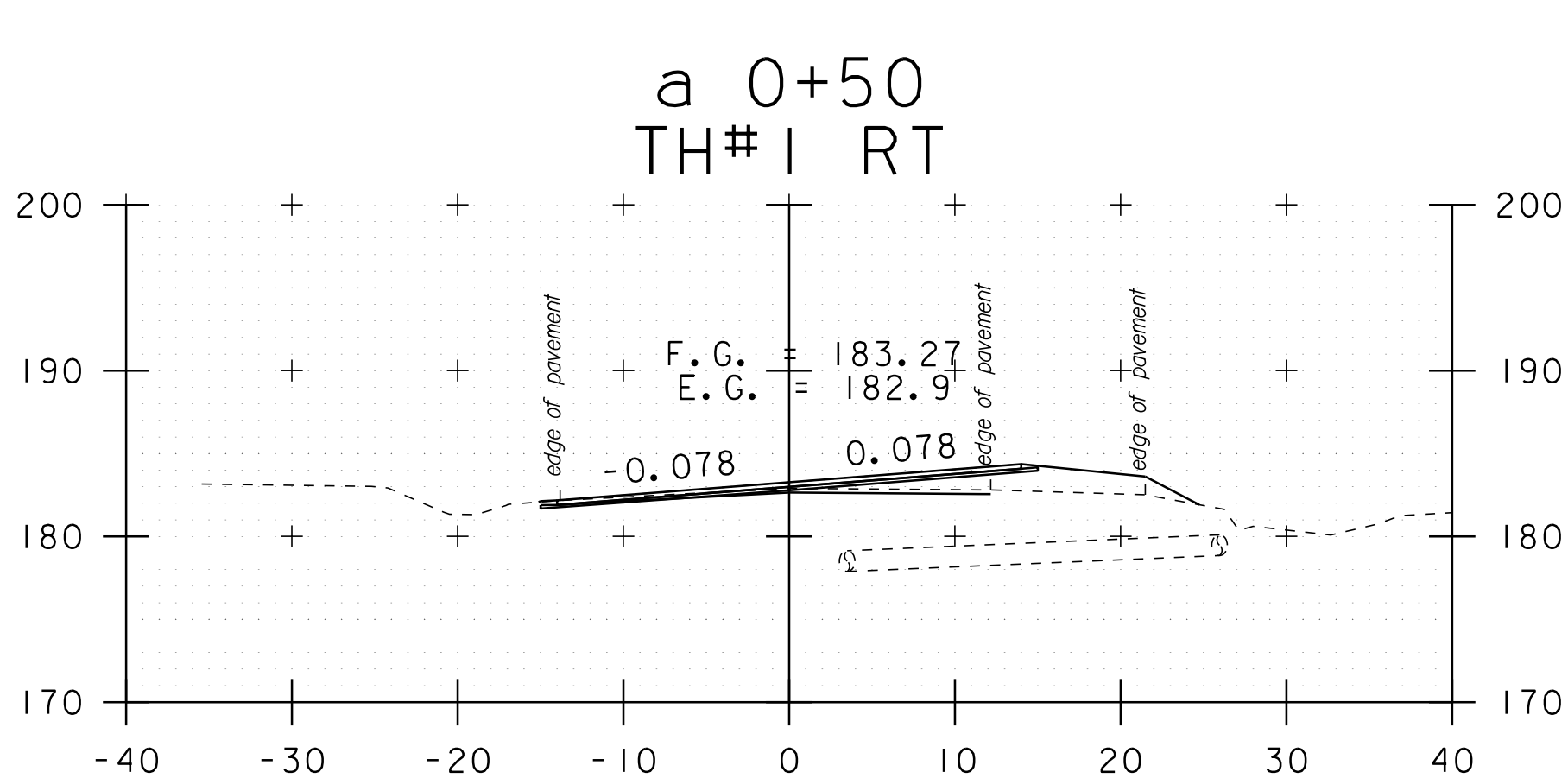
a 0+50  
TH#1 RT



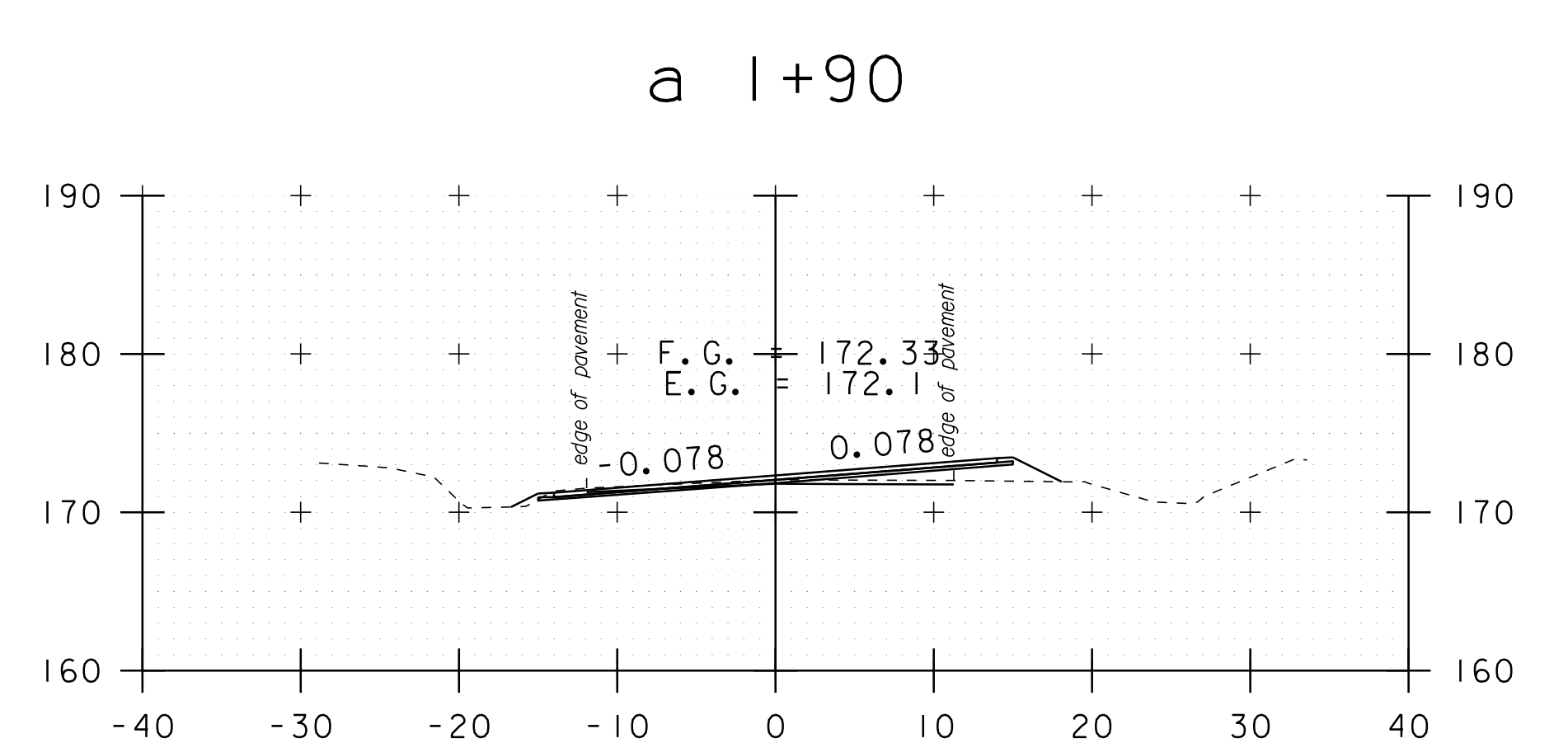
a 1+90



586+39



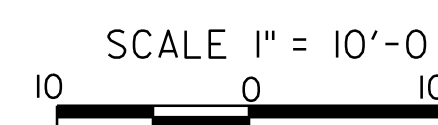
587+92



a 1+50

DATUM	NAVD 88
DATUM	NAD 83
DATUM	NAVD 88
DATUM	NAD 83

STA. 586+39 TO STA. a 2+40



**CROSS SECTION SHEET 20**

PROJECT NAME: ADDISON-NEW HAVEN  
PROJECT NUMBER: STP 9632(1)

FILE NAME: p95B076.dgn  
PROJECT LEADER: CDL  
DESIGNED BY: SJL  
PLOT FILE: p95B076.I25.1

PLOT DATE: 3/13/2012  
DRAWN BY: SJL  
CHECKED BY: EPD  
SHEET 125 OF 186