

DURABLE 4 INCH WHITE LINE (SEE OPTION ITEMS)  
 STA. b 60+25 - STA. b 65+75 (SOLID LT & RT)

DURABLE 4 INCH YELLOW LINE (SEE OPTION ITEMS)  
 STA. b 60+25 - STA. b 60+75 (DASHED LT, SOLID RT)  
 STA. b 60+75 - STA. b 65+75 (SOLID LT & RT)

TEMPORARY 4 INCH WHITE LINE, PAINT  
 STA. b 60+25 - STA. b 65+75 (SOLID LT & RT)

TEMPORARY 4 INCH YELLOW LINE, PAINT  
 STA. b 60+25 - STA. b 60+75 (DASHED LT, SOLID RT)  
 STA. b 60+75 - STA. b 65+75 (SOLID LT & RT)

STONE FILL, TYPE I  
 STA. b 60+25 - STA. b 65+75 RT

GRUBBING MATERIAL  
 STA. b 60+25 - STA. b 65+75 RT

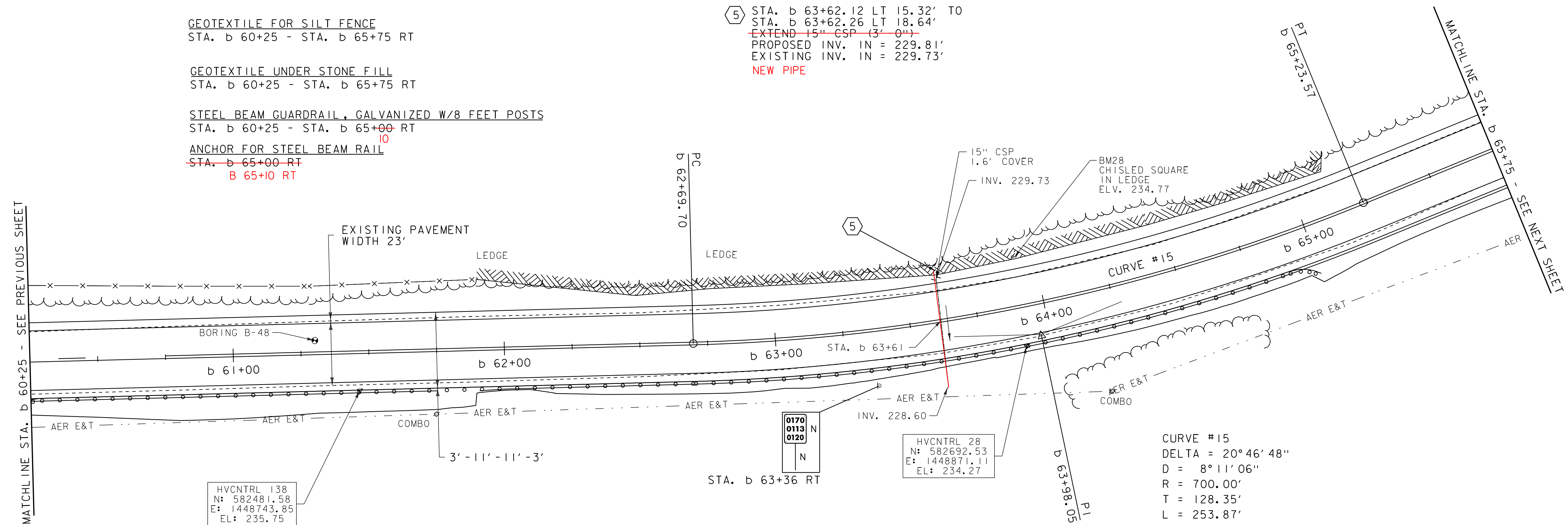
GEOTEXTILE FOR SILT FENCE  
 STA. b 60+25 - STA. b 65+75 RT

GEOTEXTILE UNDER STONE FILL  
 STA. b 60+25 - STA. b 65+75 RT

STEEL BEAM GUARDRAIL, GALVANIZED W/8 FEET POSTS  
 STA. b 60+25 - STA. b 65+00 RT

ANCHOR FOR STEEL BEAM RAIL  
~~STA. b 65+00 RT~~  
 B 65+10 RT

5 STA. b 63+62.12 LT 15.32' TO  
 STA. b 63+62.26 LT 18.64'  
~~EXTEND 15" CSP (3'-0")~~  
 PROPOSED INV. IN = 229.81'  
 EXISTING INV. IN = 229.73'  
 NEW PIPE



CURVE #15  
 DELTA = 20°46'48"  
 D = 8°11'06"  
 R = 700.00'  
 T = 128.35'  
 L = 253.87'  
 BANKING 0.078 FT/FT  
 170' RUNOFF (45 MPH)  
 SEE SUPERELEVATION TABLES  
 FOR BANKING INFORMATION

MATCHLINE STA. b 60+25 - SEE PREVIOUS SHEET

MATCHLINE STA. b 65+75 - SEE NEXT SHEET

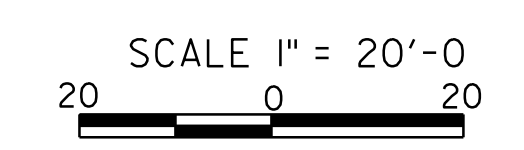
HVCNTRL 138  
 N: 582481.58  
 E: 1448743.85  
 EL: 235.75

HVCNTRL 28  
 N: 582692.53  
 E: 1448871.11  
 EL: 234.27

- LEGEND**
- SIGN
  - ⊙ HYDRANT
  - MANHOLE
  - GATE VALVE
  - GAS PIPELINE MARKER
  - ⊠ CATCH BASIN / DROP INLET
  - CURB INLET
  - ⊕ BORING LOCATION
  - ⊕ MAILBOX
  - ⊕ UTILITY POLE
  - FLUSHING BASIN

- SIGN LEGEND**
- R = REMOVE
  - R&S = REMOVE AND SALVAGE
  - RET = RETAIN
  - S = SALVAGE
  - N = NEW
  - B-B = BACK TO BACK

DATUM  
 NAVD 88  
 NAD 83



<b>PROJECT LAYOUT SHEET 39</b>	PROJECT NAME: ADDISON - NEW HAVEN	PLOT DATE: 3/13/2012
	PROJECT NUMBER: STP 9632(1)	DRAWN BY: SJL
	FILE NAME: p95B076.dgn	CHECKED BY: EPD
	DESIGNED BY: SJL	SHEET 62 OF 186
	PLOT FILE: p95B076_62.i	