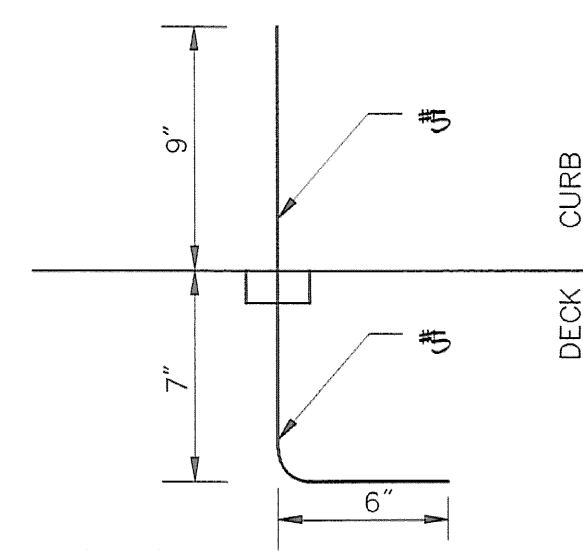
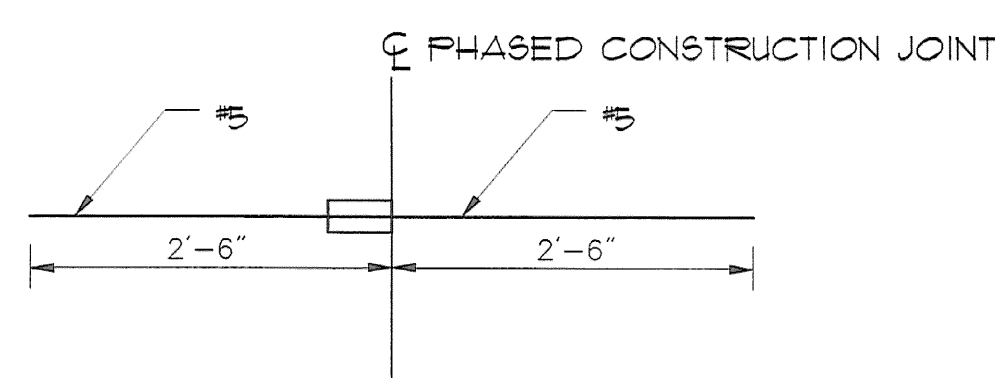


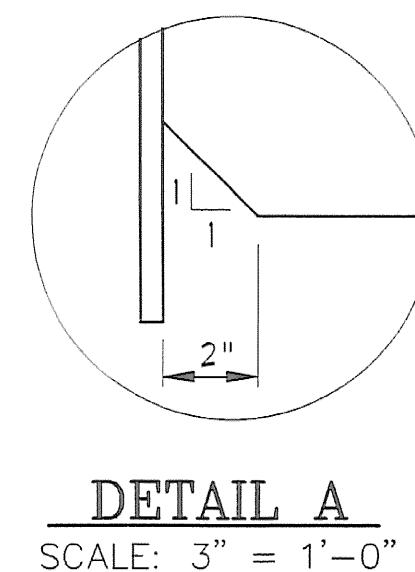
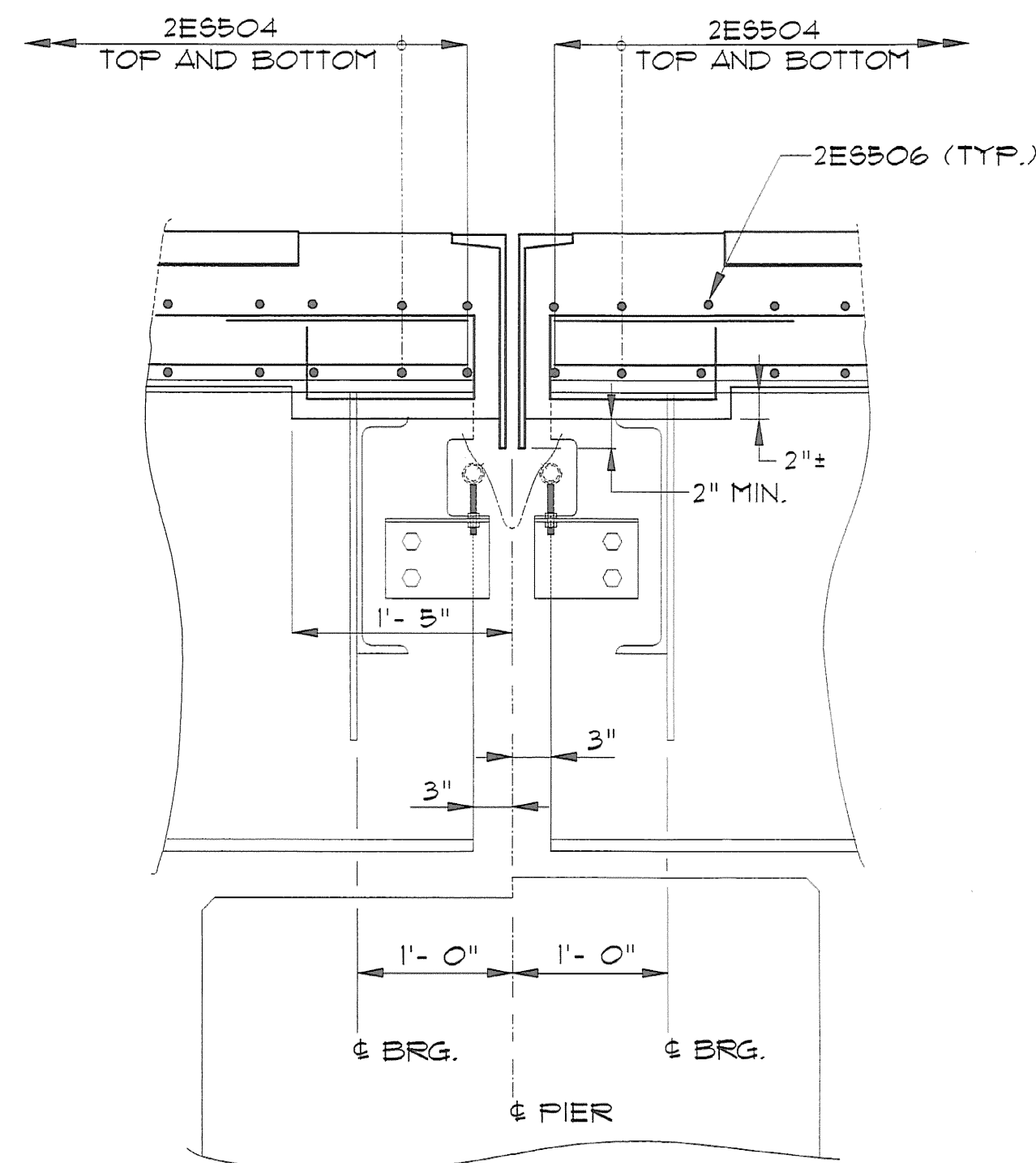
**SECTION B-B**  
SCALE: 1" = 1'-0"



**MECHANICAL CONNECTOR AT MEDIAN**  
N.T.S.

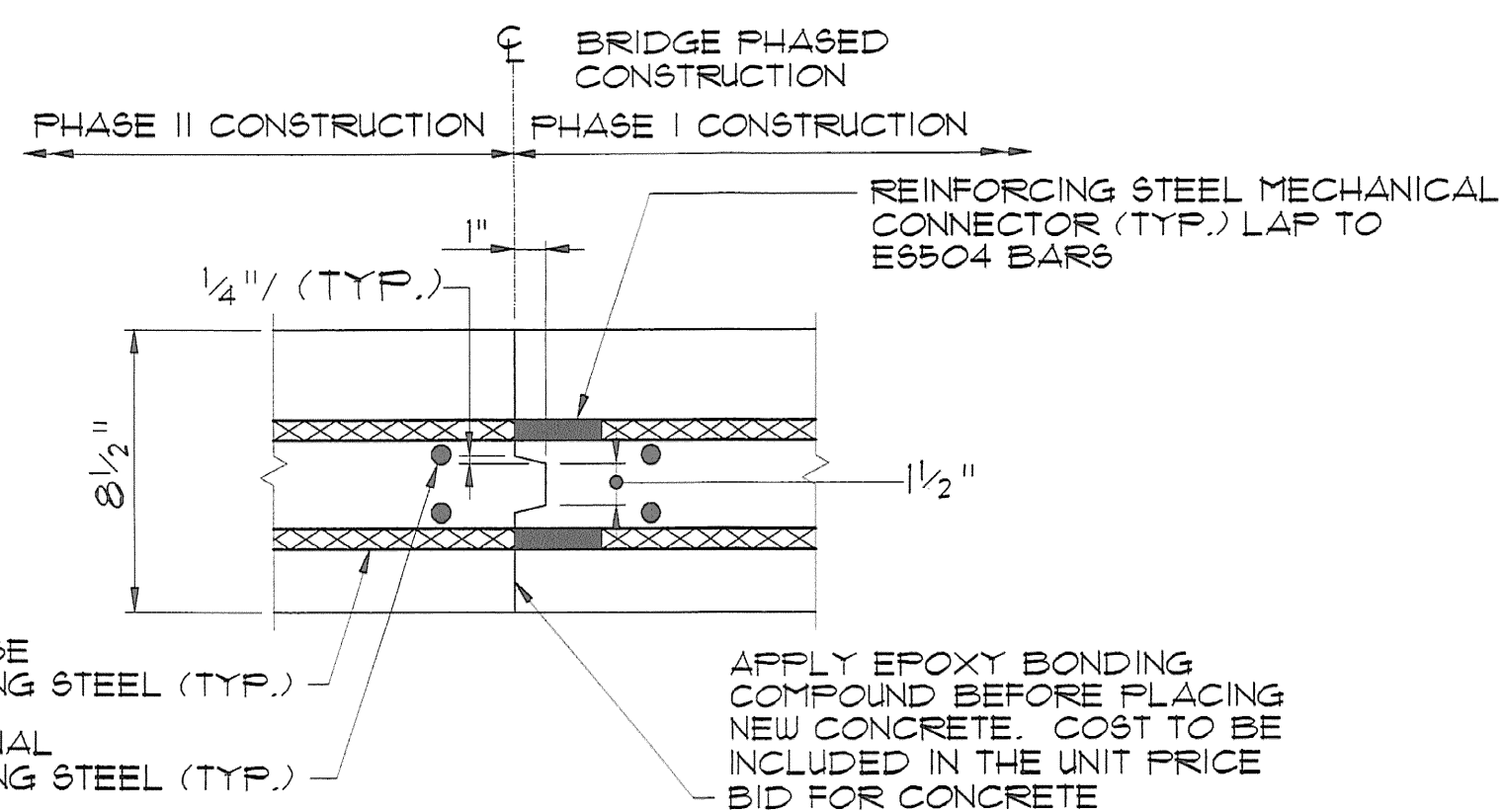


**MECHANICAL CONNECTOR AT PHASED CONSTRUCTION JOINT**  
N.T.S.

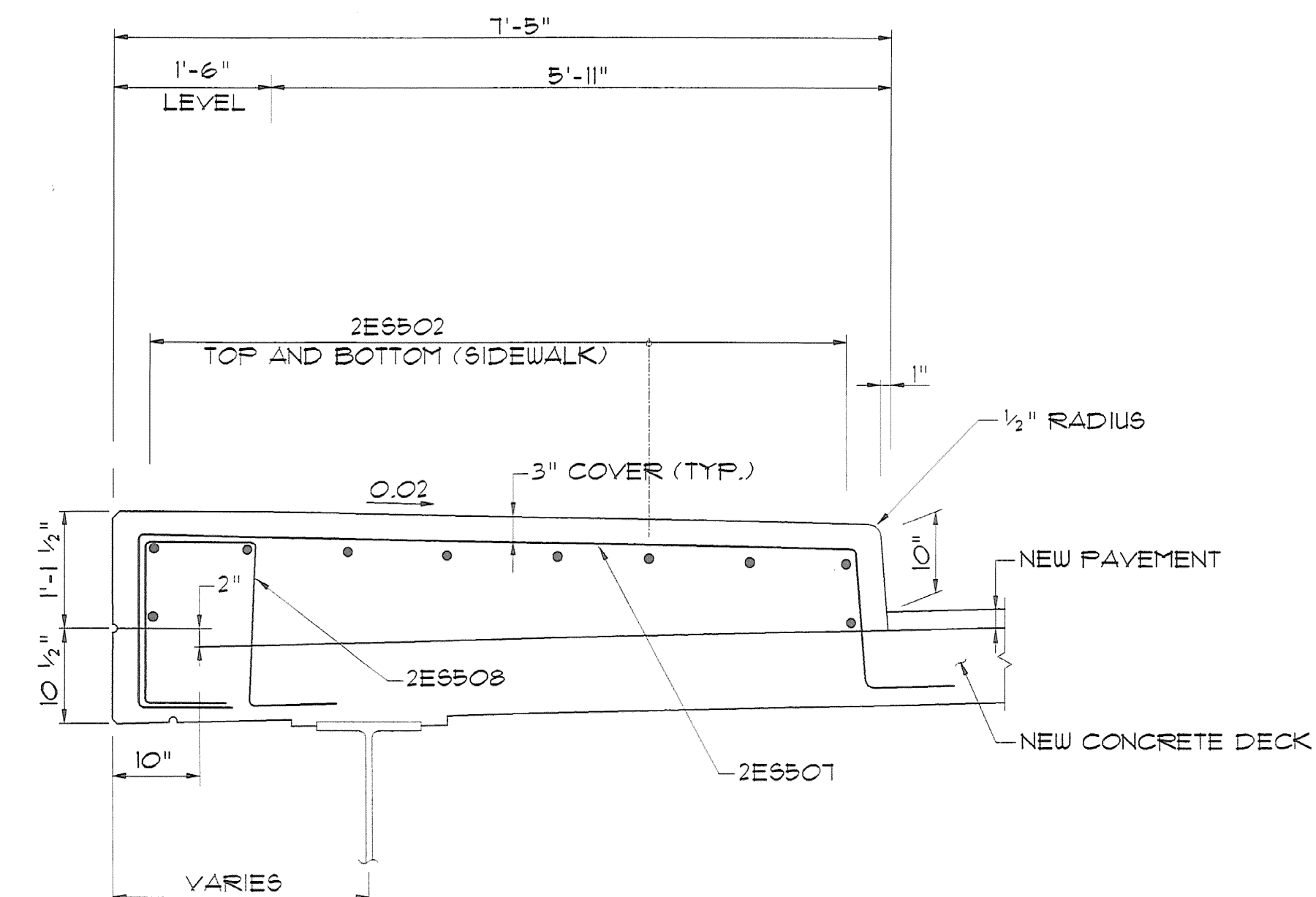


**DETAIL A**  
SCALE: 3" = 1'-0"

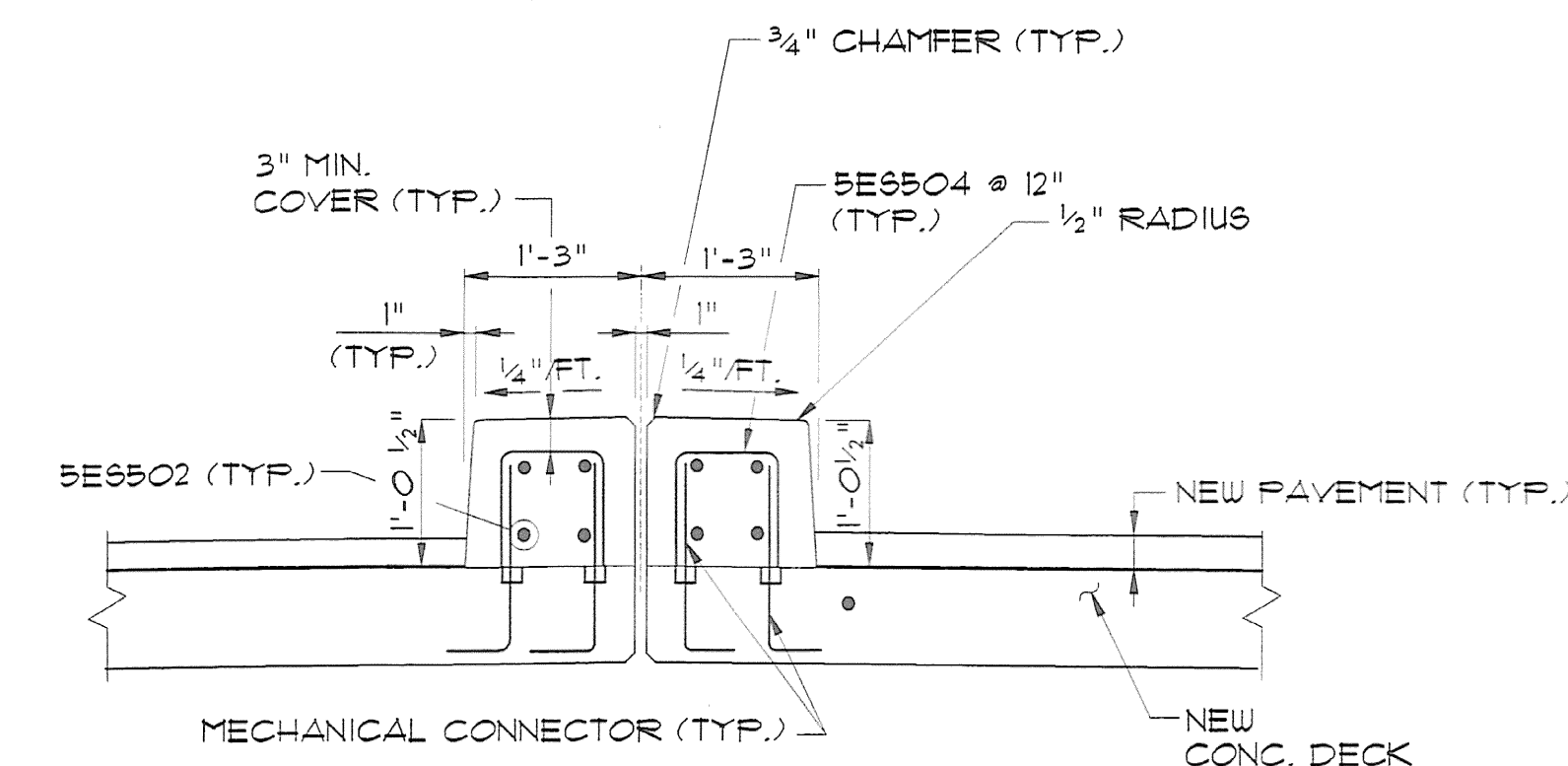
**SECTION C-C**  
SCALE: 1" = 1'-0"



**SECTION E-E**  
**PHASED DECK CONSTRUCTION JOINT DETAIL**  
N.T.S.



**SECTION D-D**  
SCALE: 1/2" = 1'-0"



**SECTION F-F**  
SCALE: 3/4" = 1'-0"

SHEETS 11A, 11B AND 11C SHOW DECK REPLACEMENT REINFORCING. REFER TO OTHER CONTRACT SHEETS FOR ADDITIONAL INFORMATION. CONFLICTS BETWEEN THESE DRAWINGS AND OTHER CONTRACT DRAWINGS SHALL BE BROUGHT TO THE ATTENTION OF THE RESIDENT ENGINEER.

**STATE OF VERMONT**  
**AGENCY OF TRANSPORTATION**

Town Of SOUTH BURLINGTON Bridge No. 68  
Highway No. U.S. 2 Log Sta. Surv. Sta.

U.S. 2 OVER I-89

**REINFORCEMENT DETAILS**

Designed By A. ROBINSON Drawn By M. LANDREY  
Checked By S. JOHNSON Date 5/9/01 Bridge Design Supervisor S. JOHNSON Date 5/9/01

PROJECT SOUTH BURLINGTON PROJECT NO. IM DECK (36)

VHB Cad Drawing No. 50929DET2 Date 5/9/01  
Bridge Sheet No. Sheet 11B of 13

VANASSE HANGEN BRUSTLIN, INC.