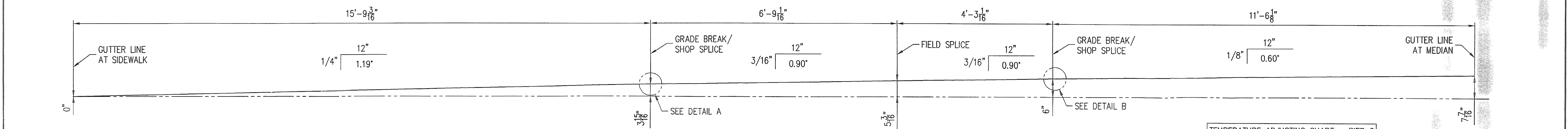


NOTE: DIMENSIONS ARE TAKEN ALONG HEEL OF CHANNEL.

PLAN VIEW - EXPANSION JOINT
(PIER 3 - WESTBOUND)



ELEVATION VIEW
(ELEVATIONS TAKEN ALONG CL OF JOINT)

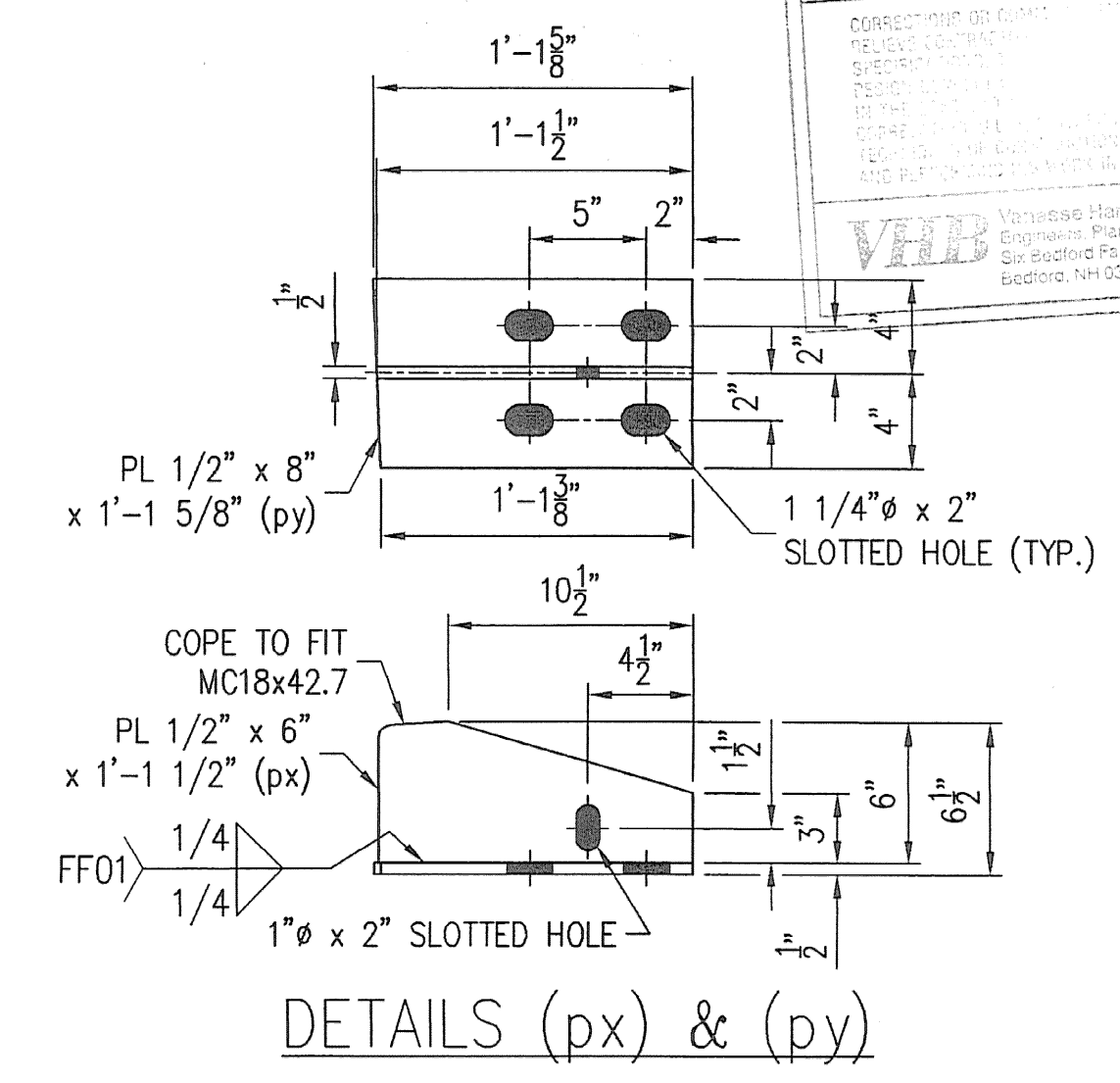
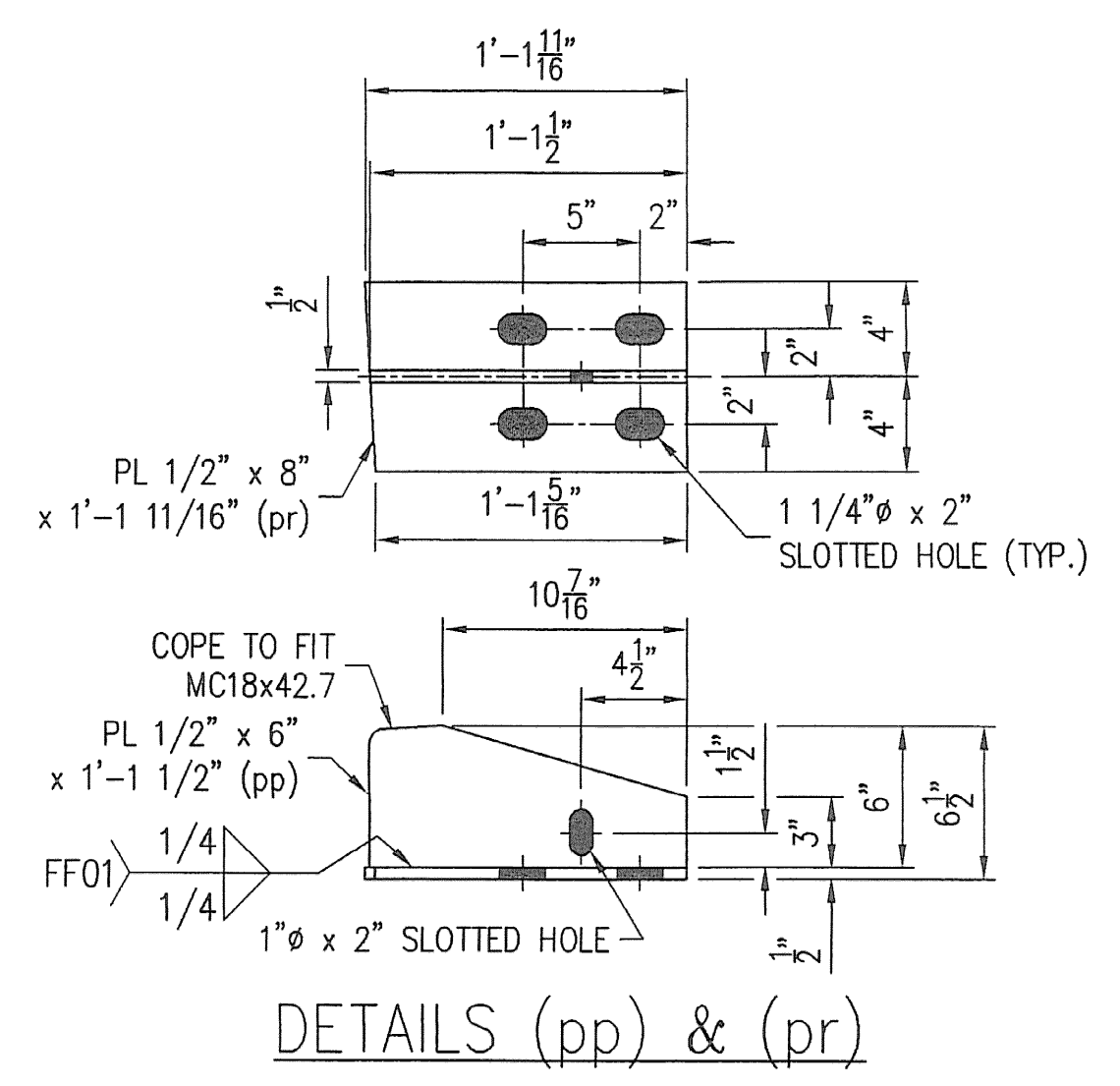
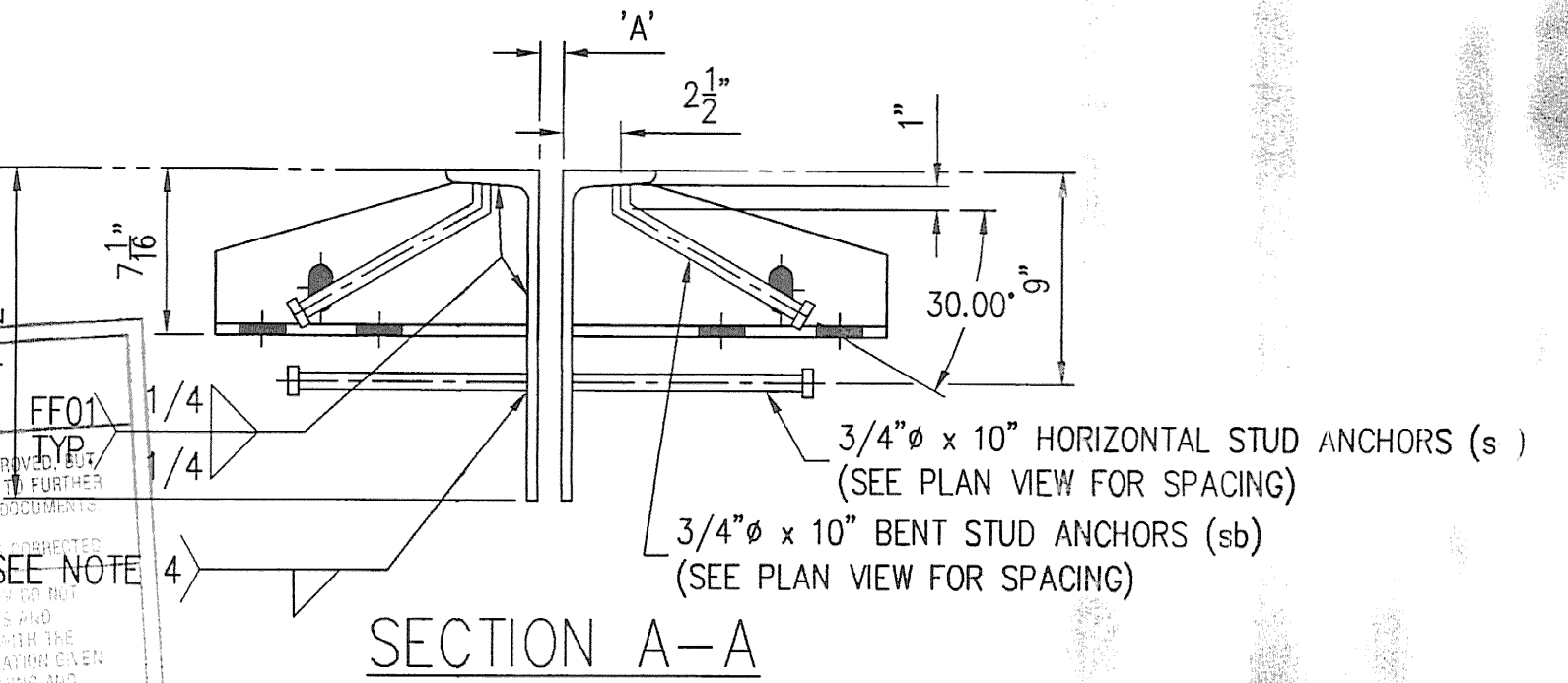
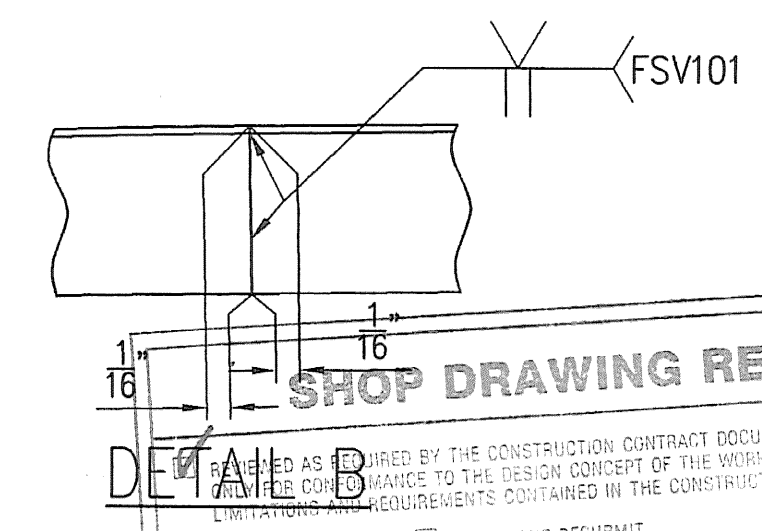
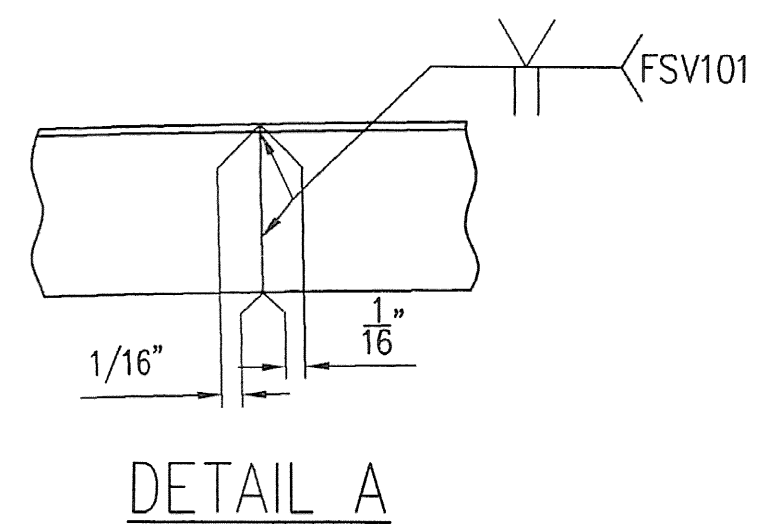
CONTRACTOR NOTE:
ALL SURFACES OF STEEL DECK JOINTS WHICH ARE TO HAVE CONCRETE PLACED AGAINST THEM, SHALL BE COATED WITH EPOXY BONDING COMPOUND. EPOXY BONDING COMPOUND TO BE PROVIDED BY THE CONTRACTOR.

APPROVER NOTE:
STOOL LENGTHS HAVE BEEN REVISED PER CONTRACTOR'S FIELD MEASUREMENTS TAKEN JANUARY 19, 2001.

TEMPERATURE	45°	60°	75°	90°
DIM 'A'	1	7/8	7/8	3/4

SEE SHEET 7 FOR GENERAL NOTES

LINE NO.	NO. REQ'D.	DESCRIPTION	LENGTH	MK	REMARKS	WGHT.
1		EXPANSION JOINT ASS'Y		5A	HDC	
2	1	MC18x42.7	15'-9 3/16"	xa5	REMOVE FLANGE	11-8
3	1	MC18x42.7	15'-9 3/16"	xb5	REMOVE FLANGE	11-8
4	1	MC18x42.7	6'-9 5/16"	xc5	REMOVE FLANGE	11-8
5	1	MC18x42.7	6'-9 5/16"	xd5	REMOVE FLANGE	11-8
6	3	PL 1/2 x 6	1'-1 1/2"	pp	SHAPE CUT / COPE TO FIT MC18x42.7	19-16
7	3	PL 1/2 x 8	1'-1 1/2"	pr	SHAPE CUT	19-16
8	3	PL 1/2 x 6	1'-1 1/2"	px	SHAPE CUT / COPE TO FIT MC18x42.7	19-16
9	3	PL 1/2 x 8	1'-1 1/2"	py	SHAPE CUT	19-16
10	27	WS 3/4 x 10		sa	26	29-19
11	26	WS 3/4 x 10		sb	25 / BEND	29-19
12						
13						
14						
15						
16						
17	1	EXPANSION JOINT ASS'Y		5B	HDC	
18	1	MC18x42.7	4'-3 1/16"	xf5	REMOVE FLANGE	11-8
19	1	MC18x42.7	4'-3 1/16"	xg5	REMOVE FLANGE	11-8
20	1	MC18x42.7	11'-6 3/16"	xh5	REMOVE FLANGE	11-8
21	1	MC18x42.7	11'-6 3/16"	xk5	REMOVE FLANGE	11-8
22	3	PL 1/2 x 6	1'-1 1/2"	pp	SHAPE CUT / COPE TO FIT MC18x42.7	19-16
23	3	PL 1/2 x 8	1'-1 1/2"	pr	SHAPE CUT	19-16
24	3	PL 1/2 x 6	1'-1 1/2"	px	SHAPE CUT / COPE TO FIT MC18x42.7	19-16
25	3	PL 1/2 x 8	1'-1 1/2"	py	SHAPE CUT	19-16
26	19	WS 3/4 x 10		sa	18	29-19
27	19	WS 3/4 x 10		sb	18 / BEND	29-19
28	2	FB 1/4 x 2	0'-2"	fa		16-29
29	1	FB 1/4 x 4	1'-0"	fb		16-36
30	1	FB 1/4 x 4	1'-0"	fbb		16-36
31						
32						
33						



SHOP DRAWING REVIEW

REJECTED REVISE AND RESUBMIT APPROVED

DATE: 2/20/01

REVIEWED BY: ASB

PRELIM	11/28/00		
SHOP			
APPROVAL	11/28/00		
DIST.			
CUST.			
FOR DATE			
PRINTS ISSUED			

GENERAL REVISION PER APPROVAL

REV.	DESCRIPTION	DATE	INT.
1	GENERAL REVISION PER APPROVAL	1/22/01	SLB

ANY AND ALL BACKCHARGES WILL BE REJECTED UNLESS WRITTEN CONSENT IS GIVEN BY LEWIS ENGINEERING COMPANY PRIOR TO ANY WORK PERFORMED FOR OUR ACCOUNT. SUCH REJECTION MEANS THAT INVOICES WILL NOT BE HONORED OR DEDUCTIONS FROM PAYMENT WILL BE CHARGED BACK.

LEWIS ENGINEERING COMPANY
4201 NOREX DRIVE - CHASKA, MINNESOTA 55318 - (612) 368-3000

PROJECT - BRIDGE NO. 68 SOUTH BURLINGTON U.S. 2 OVER I-89
STATE PROJECT - IM DECK (36)
FEDERAL PROJECT -
CUSTOMER - J A McDONALD
LOCATION - CHITTENDEN COUNTY, VERMONT
DESCRIPTION - EXPANSION JOINT DETAILS WESTBOUND AT PIER 3

W.P. chkd JDM
Drawn By S...
Chkd. By A...
Date: 11/21/00

SHEET NO. 5 OF 8 Job. No. : 978.104.31