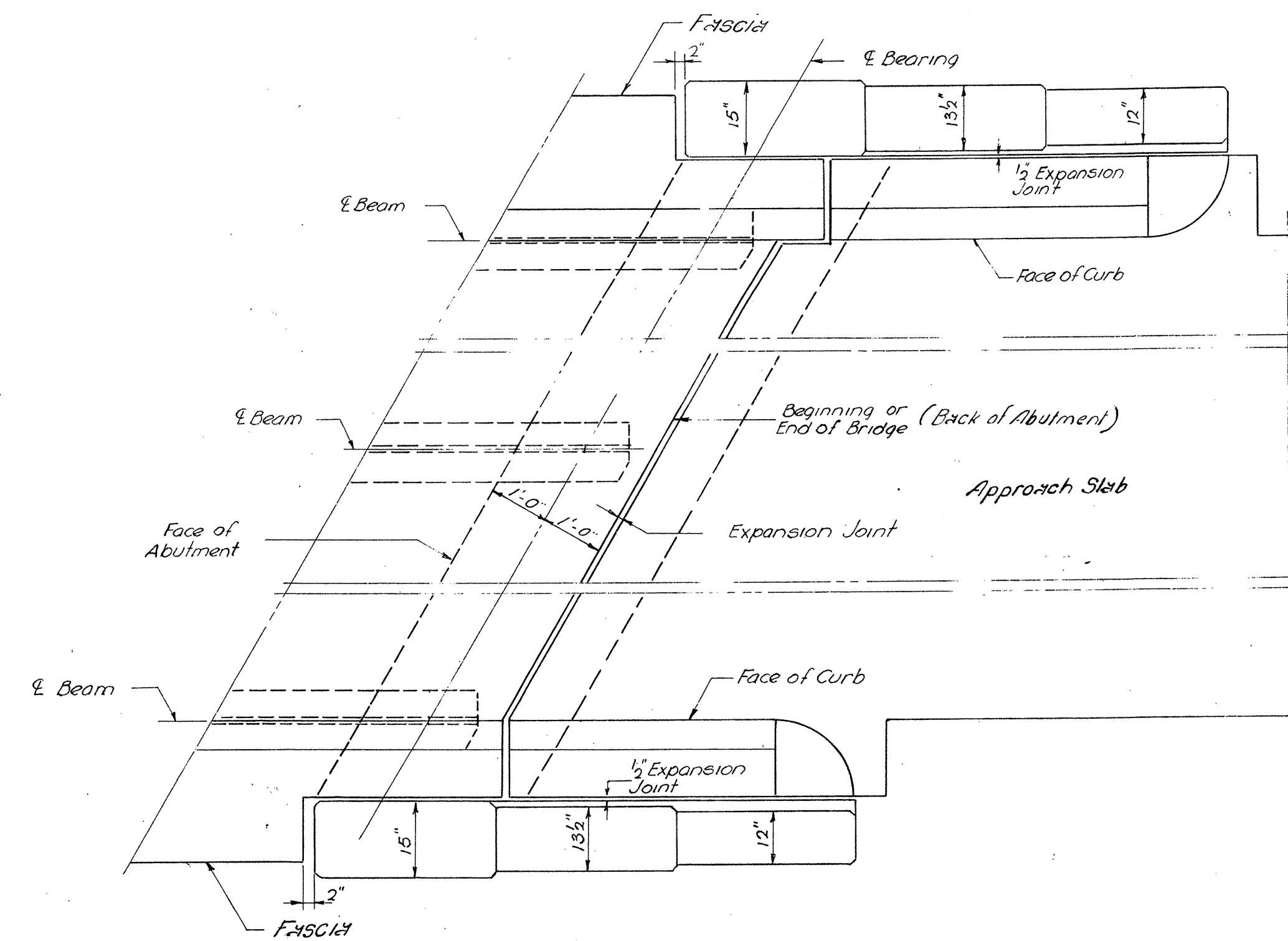
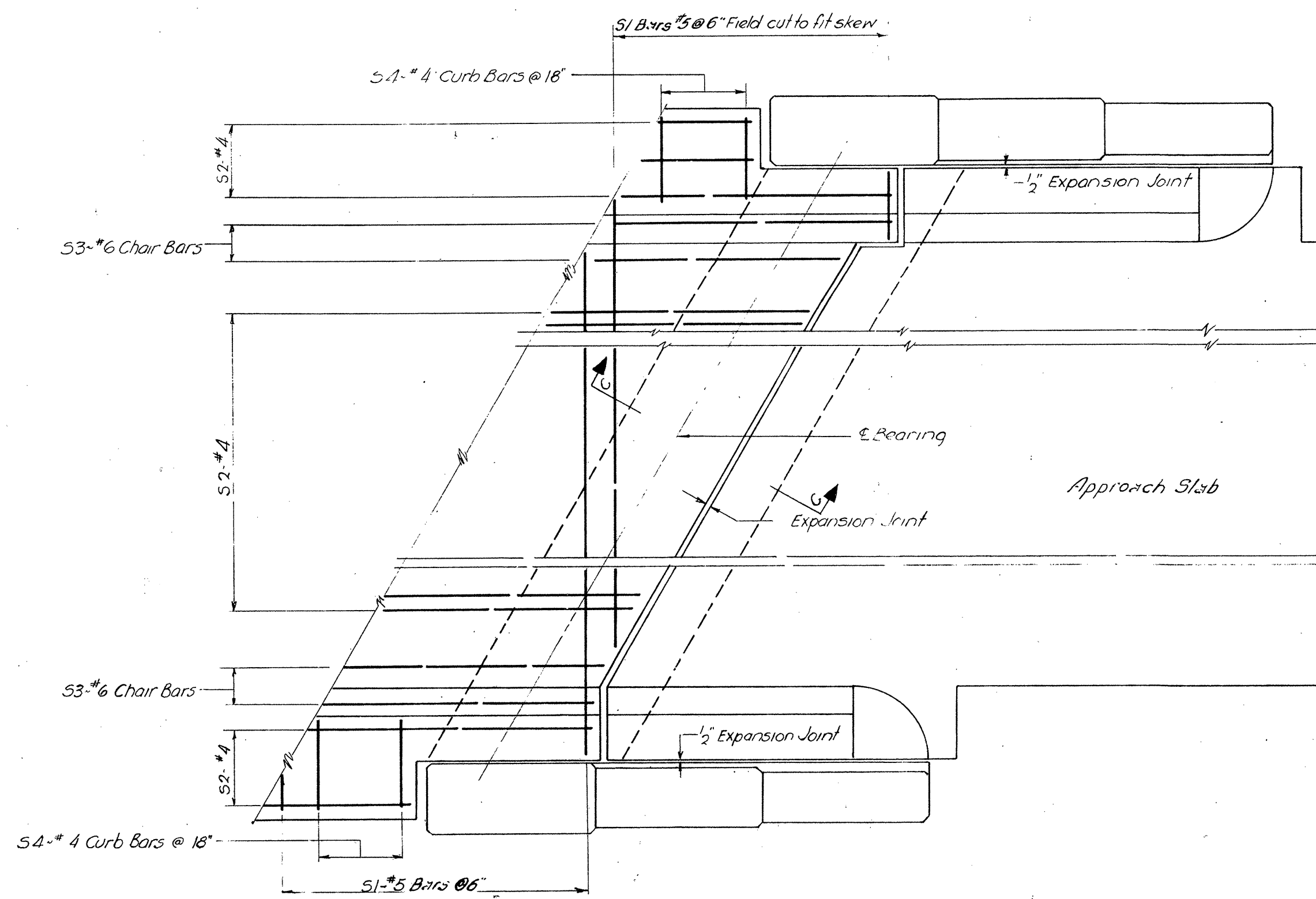


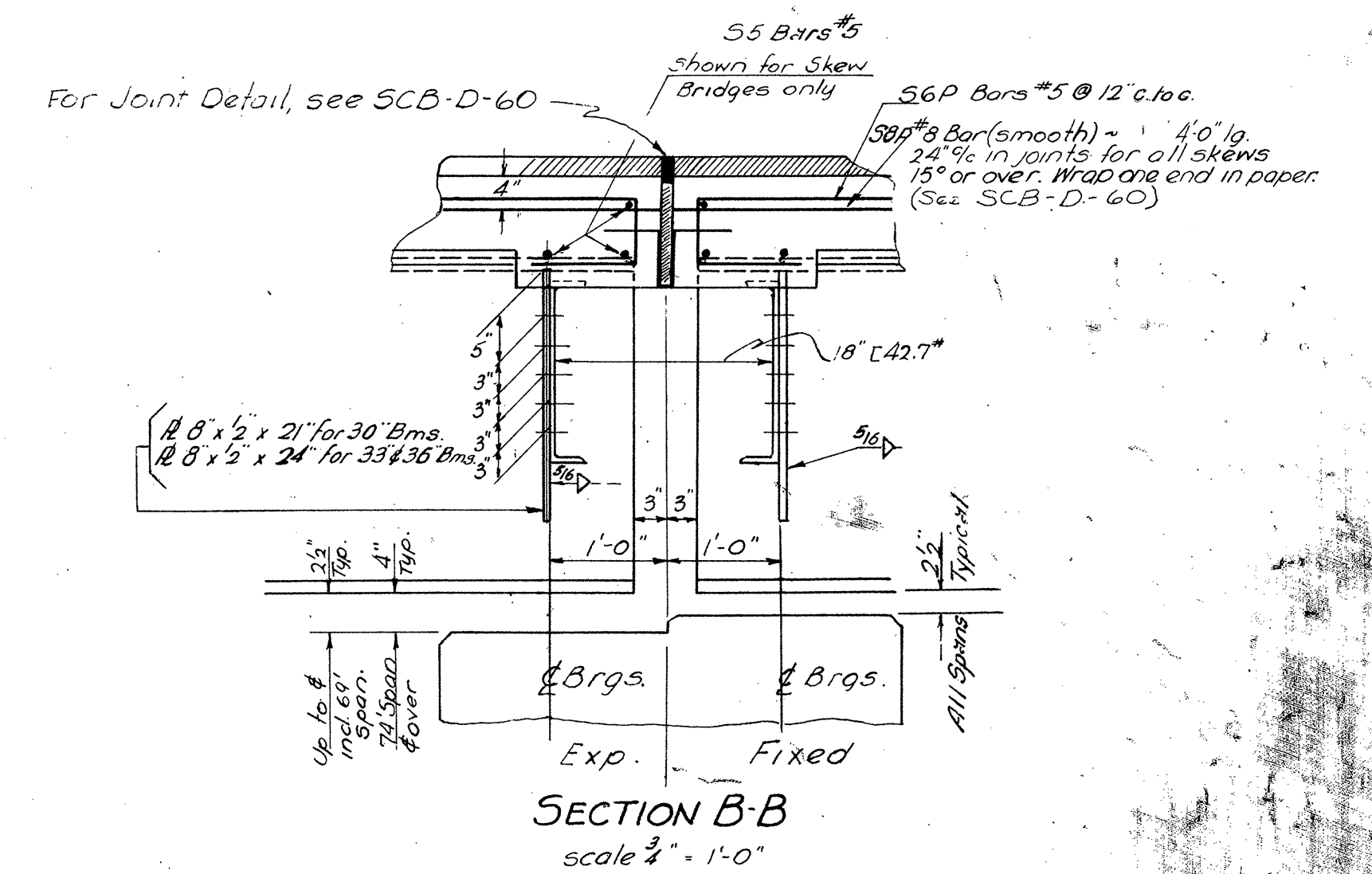
GENERAL NOTES



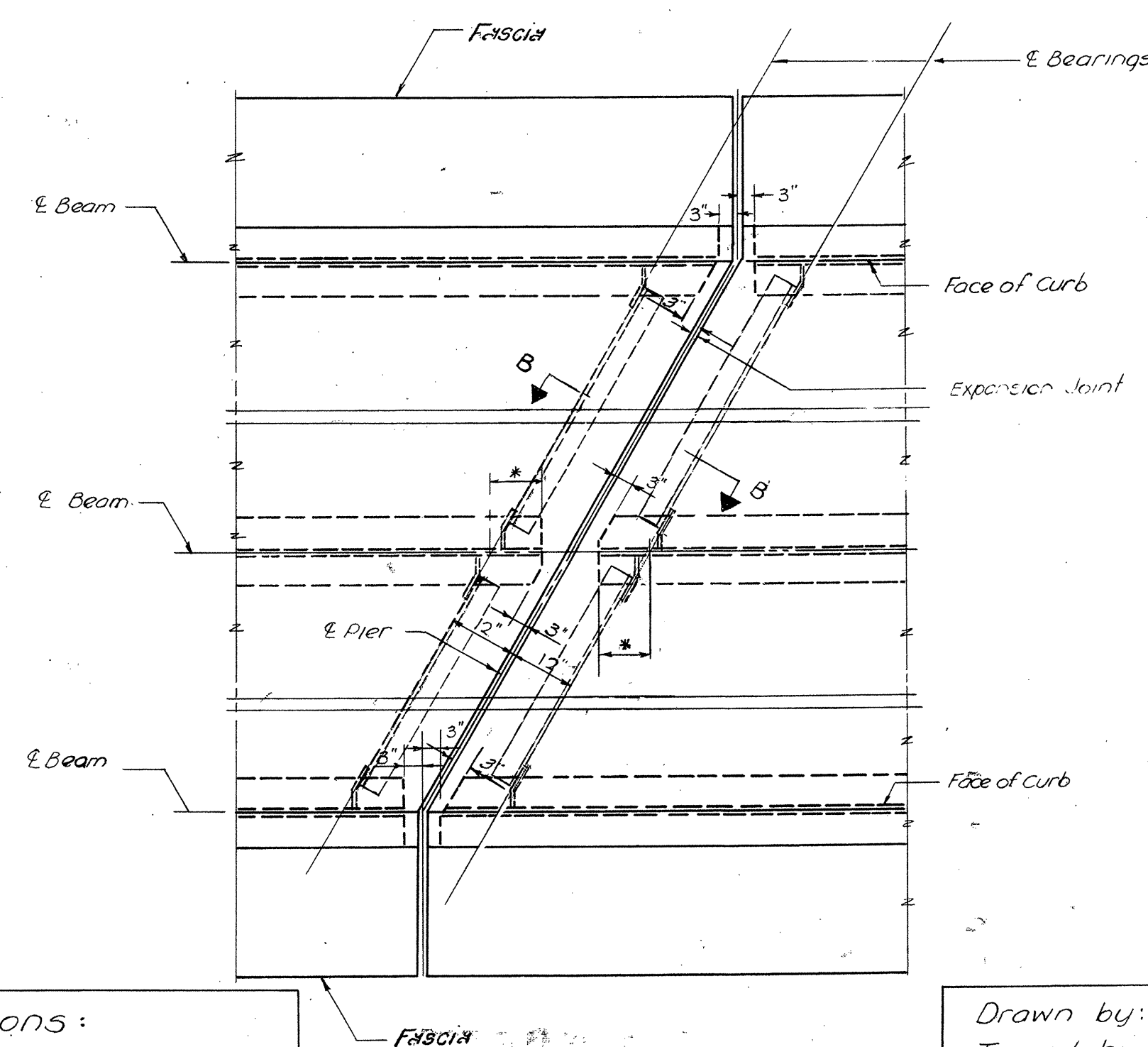
PLAN AT ABUTMENT
Scale 1/2" = 1'-0"



REINFORCEMENT LAYOUT AT ABUTMENT
Scale 1/2" = 1'-0"

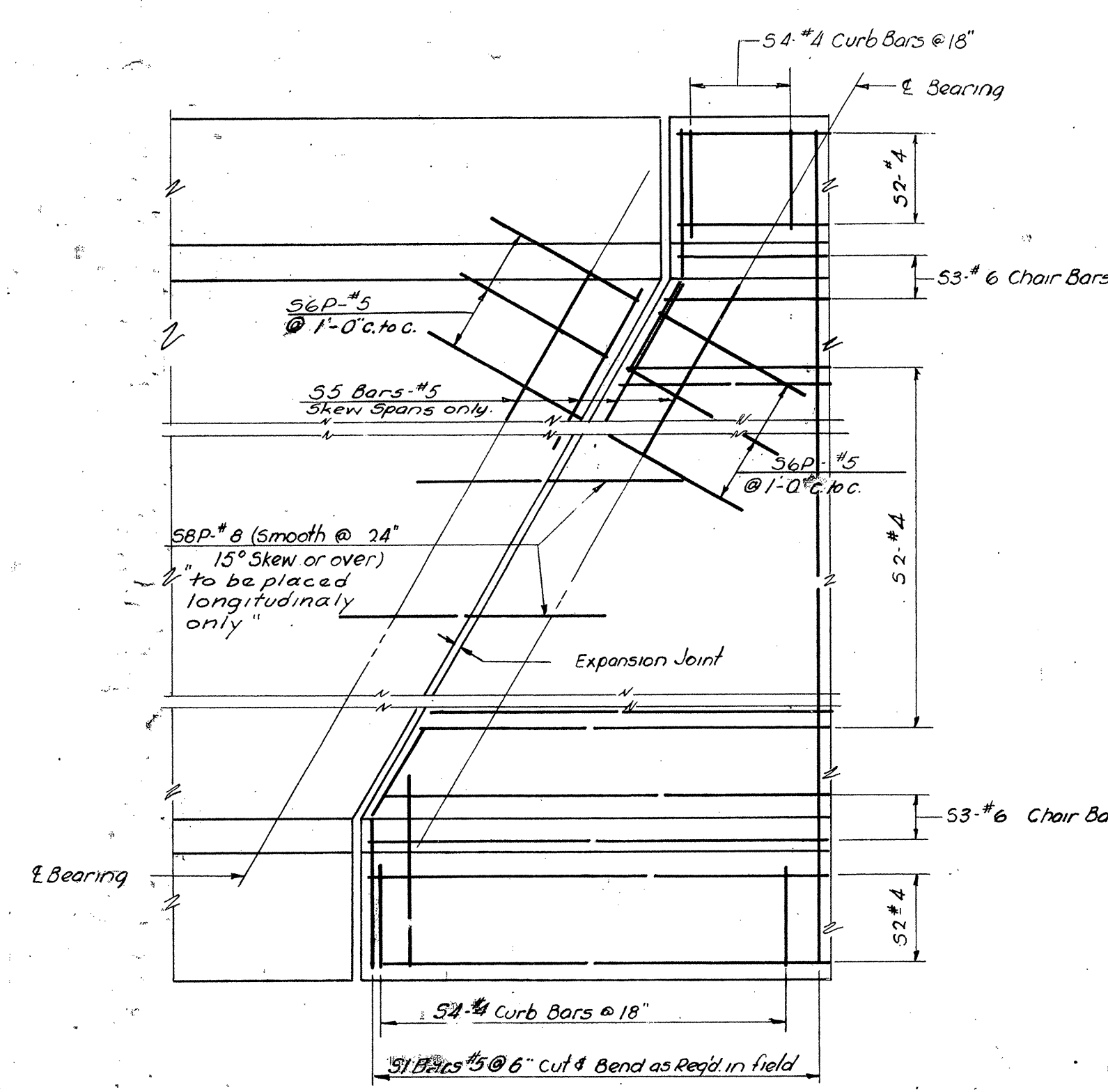


SECTION B-B
Scale 1/4" = 1'-0"

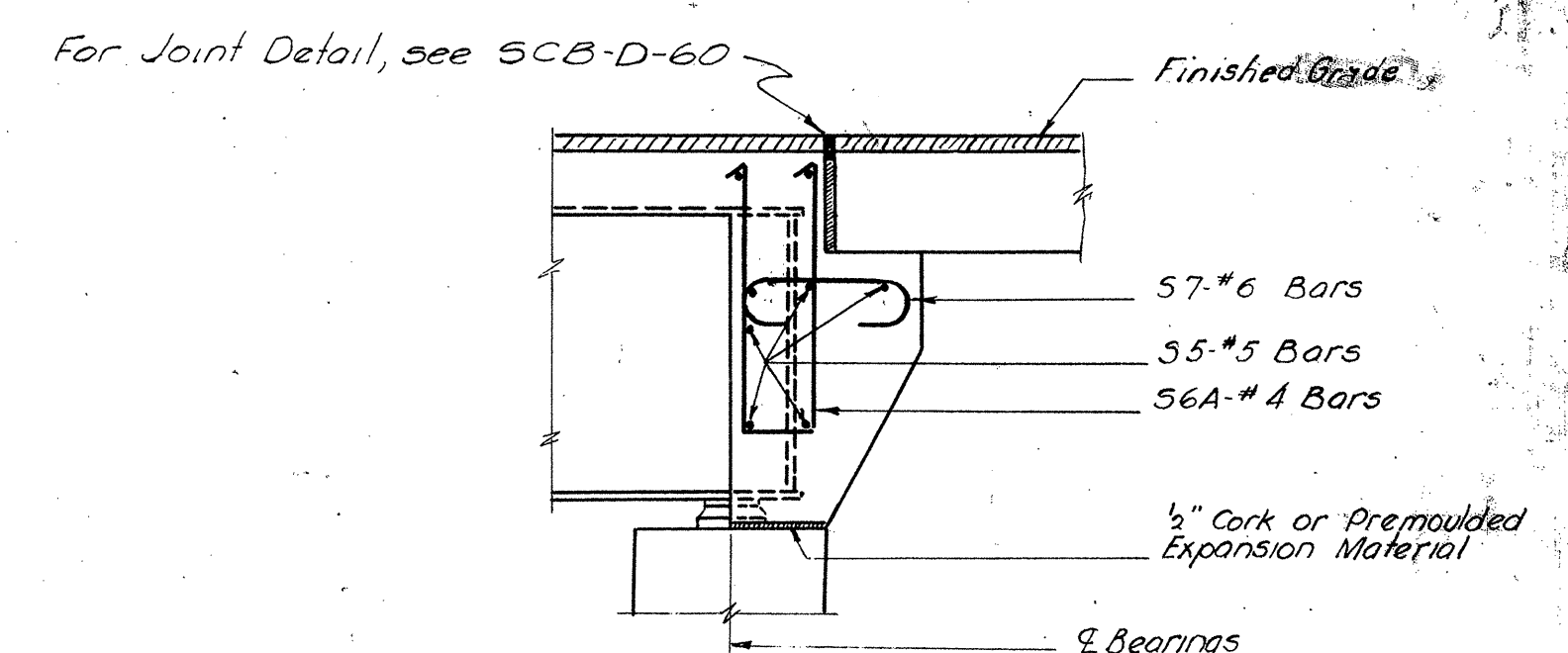


PLAN AT PIER
Scale 1/2" = 1'-0"

* This dimension varies according to the skew. See Standards SCB-D-60



REINFORCEMENT LAYOUT AT PIER
Scale 1/2" = 1'-0"



SECTION C-C
Scale 1/2" = 1'-0"

Revisions & Corrections:
Remove #4 Bar Sec BB 9/26/60
Added General Note 10/6/60
Corrected Joint Detail 12-2-60
Added note to S8 bars 3-22-61

Drawn by: H.W.S. June 1960
Traced by: H.W.S. June 1960
Checked by: R.S.H. & R.T.B. June 1960
Corrected: 13 July 1960
Approved: 13 July 1960
Chief Engineer

DETAIL OF EXPANSION JOINT OVER PIERS AND AT ABUTMENTS.

DEPARTMENT OF HIGHWAYS
STANDARD STRUCTURES

SOUTH BURLINGTON IM DECK(36)
FOR REFERENCE ONLY - BRIDGE 68
SHEET 75 OF 75

SB-22-60